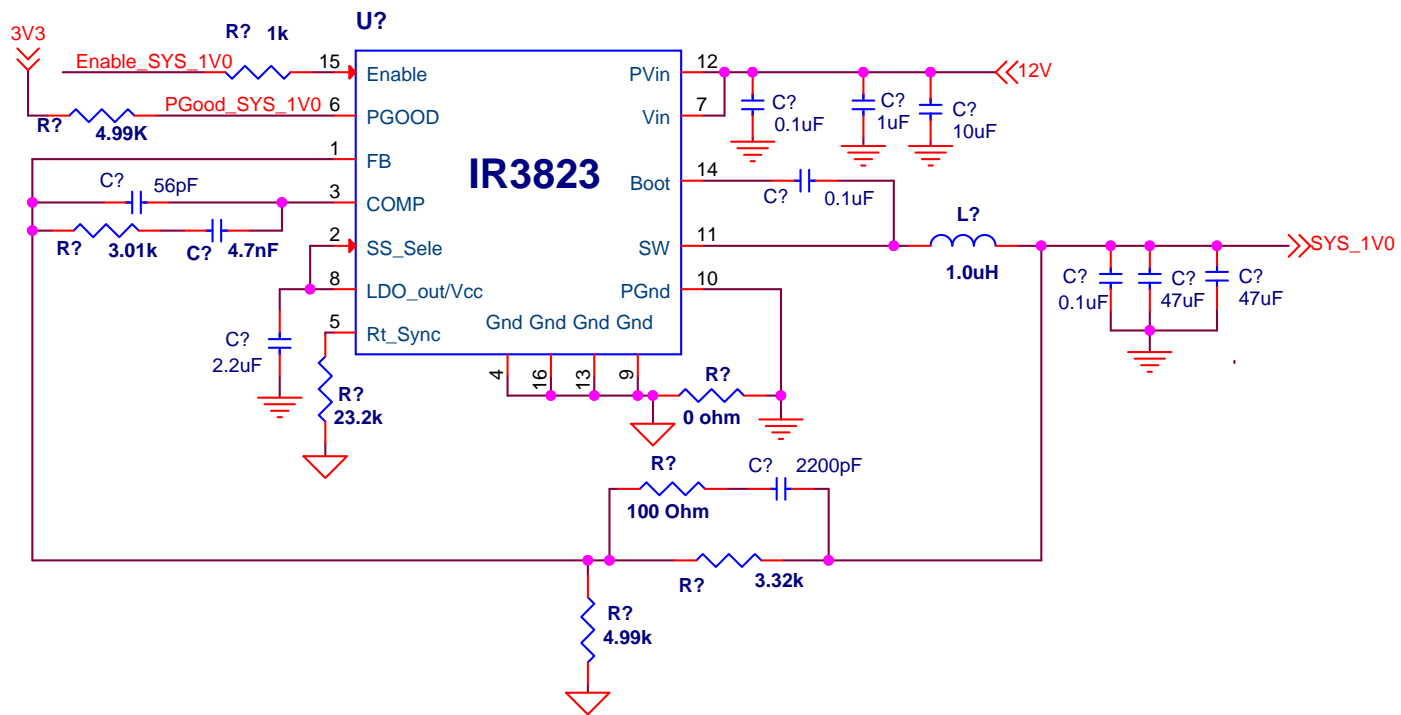


SYS_1V0 1.0V, 0-2A



Title		
<Title>		
Size	Document Number	Rev
A	<Doc>	<Rev Co
Date:	Wednesday, July 23, 2014	Sheet 0 of 1