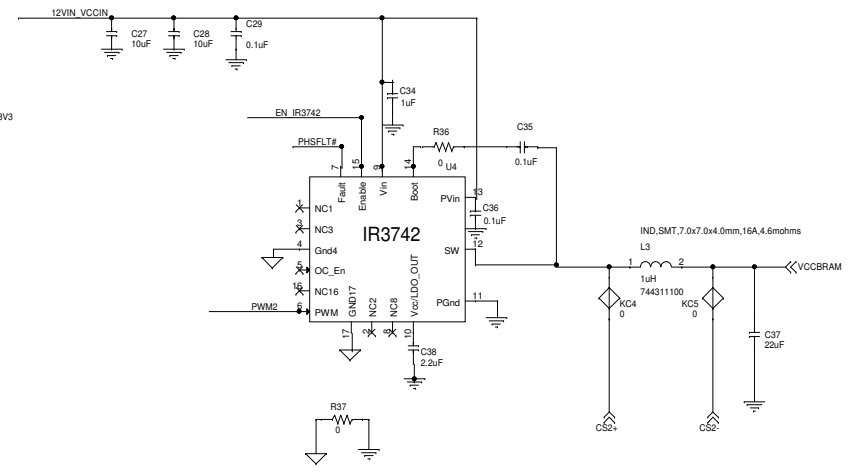
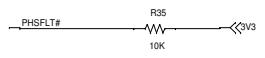
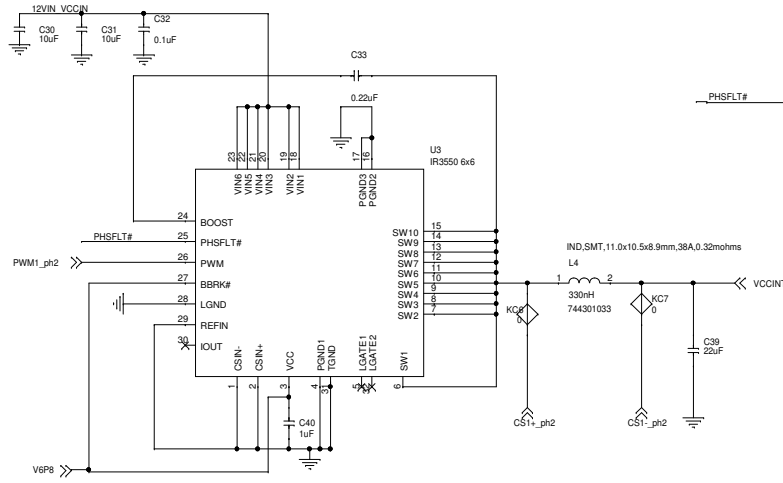
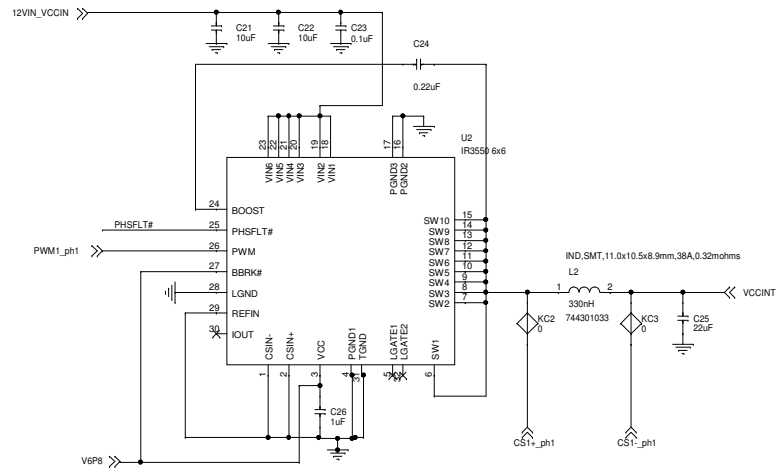
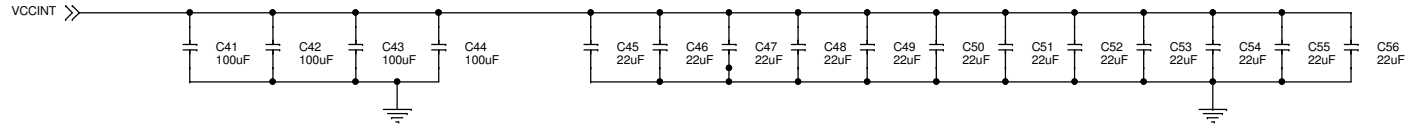


Title		
<Title>		
Size	Document Number	Rev
B	<Doc>	<RevCode>
Date:	Thursday, July 17, 2014	Sheet 1 of 3

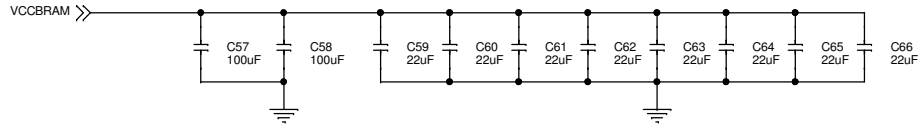


Title		
IR3553 Phases		
Size	Document Number	Rev
C	DB202	0
Date:	Thursday, July 17, 2014	Sheet 2 of 3

VOP95 VR - (4) 100uF + (12) 22uF ~ 664uF Total Cout



VCCBRAM VR - (2) 100uF + (8) 22uF ~ 376uF Total Cout



Title		
Output Caps		
Size	Document Number	Rev
B	DB202	0
Date:	Thursday, July 17, 2014	Sheet 3 of 3