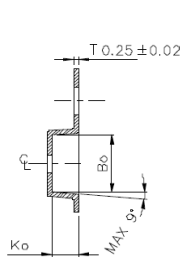
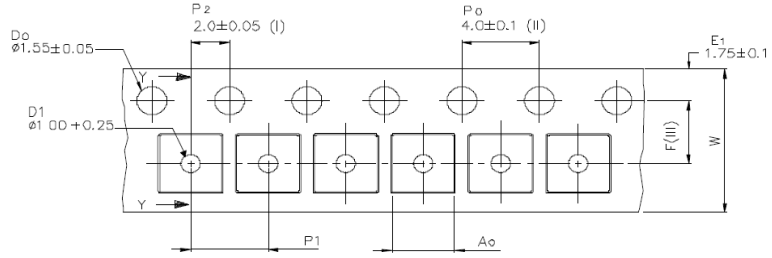


Package details: SOT23-5, Tape and Reel



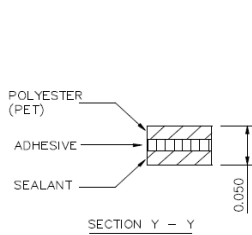
SECTION Y-Y



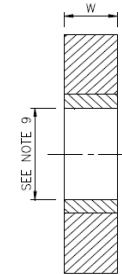
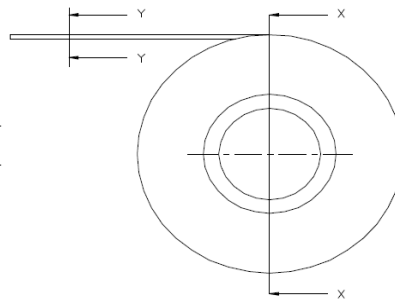
A _o	3.23 +/−0.10
B _o	3.17 +/−0.10
K _o	1.37 +/−0.10
F	3.50 +/−0.05
P ₁	4.00 +/−0.10
W	8.00 +0.3/−0.1

- (I) Measured from centreline of sprocket hole to centreline of pocket.
- (II) Cumulative tolerance of 10 sprocket holes is ± 0.20
- (III) Measured from centreline of sprocket hole to centreline of pocket.
- (IV) Other material available.
- (V) Typical SR of form tape Max 10¹⁰ OHM/SR

ALL DIMENSIONS IN MILLIMETRES UNLESS OTHERWISE STATED.



SECTION Y - Y



SECTION X - X

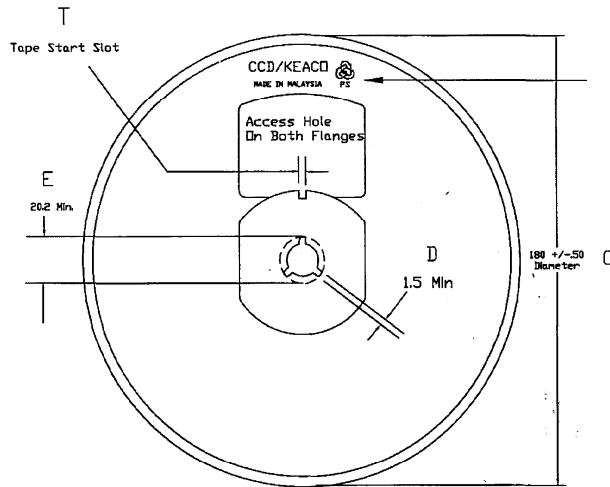
COVER TAPE WIDTH* (W ±0.1)	CARRIER TAPE WIDTH
5.3, 5.5	8
9.2, 9.5	12
13.3, 13.5	16
21.0, 21.3	24
25.5, 26.8	32
37.5	44
49.5	56

NOTES

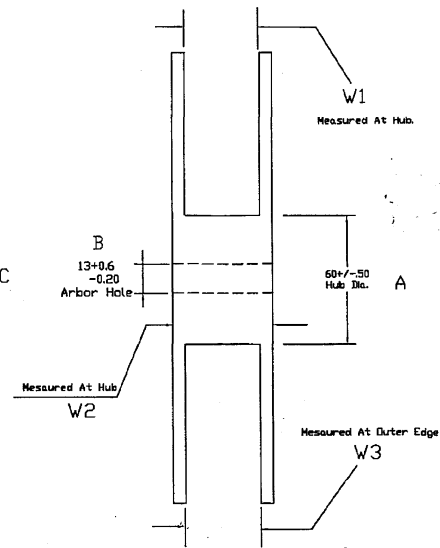
- 1 THICKNESS : 0.040 - 0.060
- 2 LENGTH : 500 +2/−0 m , OUTER DIAMETER : 215mm MAX.
- 3 TENSILE STRENGTH : ≥6.50 kg/mm sq.
- 4 ELONGATION : ≥80%
- 5 SURFACE RESISTIVITY : ≤10E11 OHMS/SQ (BOTH SIDES) (ANTI-STATIC)
- 6 PEEL STRENGTH CONFORMS TO EIA SPEC.
- 7 RECOMMENDED SHELF LIFE : TWO YEAR FROM MANUFACTURING DATE
- 8 LUMINOUS TRANSMITTANCE : >80 %
- 9 3 INCH INTERNAL DIAMETER : 476.5±1.0
2 INCH INTERNAL DIAMETER : 450±1.7/−0
- *10 OTHER COVER TAPE WIDTH REFER TO W4.08-04.

ALL DIMENSIONS IN MILLIMETRES UNLESS OTHERWISE STATED.

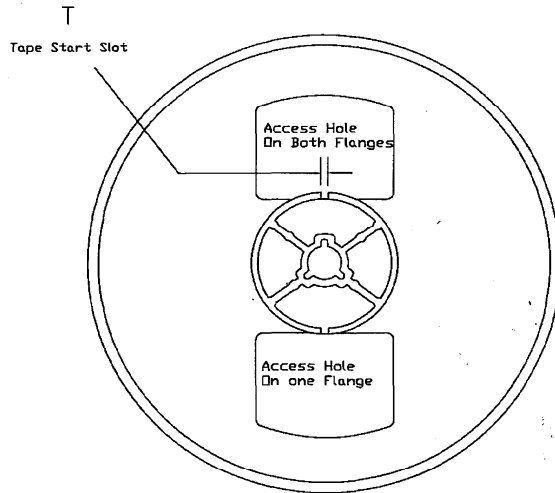
Package details: SOT23-5, Tape and Reel



FRONT VIEW



SIDE VIEW



BACK VIEW

NOTE:

1. MATERIAL : POLYSTRENE
2. SURFACE RESISTIVITY : $\leq 10^{11}$ OHMS/SQ
(EXTERNAL OR DIPPED)
3. STATIC DECAY : < 2 SEC. AT 50%RH