

LEGAL NOTICE:

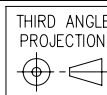
THIS DRAWING AND SPECIFICATIONS ARE THE PROPERTY OF INTERNATIONAL RECTIFIER, ARE ISSUED IN STRICT CONFIDENCE AND SHALL NOT BE REPRODUCED, COPIED OR USED AS THE BASIS FOR THE MANUFACTURE OR SALE OF PRODUCTS WITHOUT WRITTEN PERMISSION FROM INTERNATIONAL RECTIFIER.

INTERNATIONAL RECTIFIER MEXICO  
 PROLONGACION AV. LOS CABOS NO. 9234  
 PARQUE INDUSTRIAL PACIFICO II  
 TIJUANA, BC, MEXICO C.P. 22709  
 TEL(011 52 664) 626-0804  
 FAX(011 52 664) 627-8906

EC NO	06-0329	DWG ORIG	JH
EC DATE	08/22/06	ORIG DATE	04/14/93
EC ORIG	MSAUCEDO	UPD BY	MSAUCEDO
EC APP	OAMORES	UPD DATE	08/02/06
DEPT	509	SIZE	ISO A4

GEOMETRICAL DIMENSIONING AND TOLERANCING:

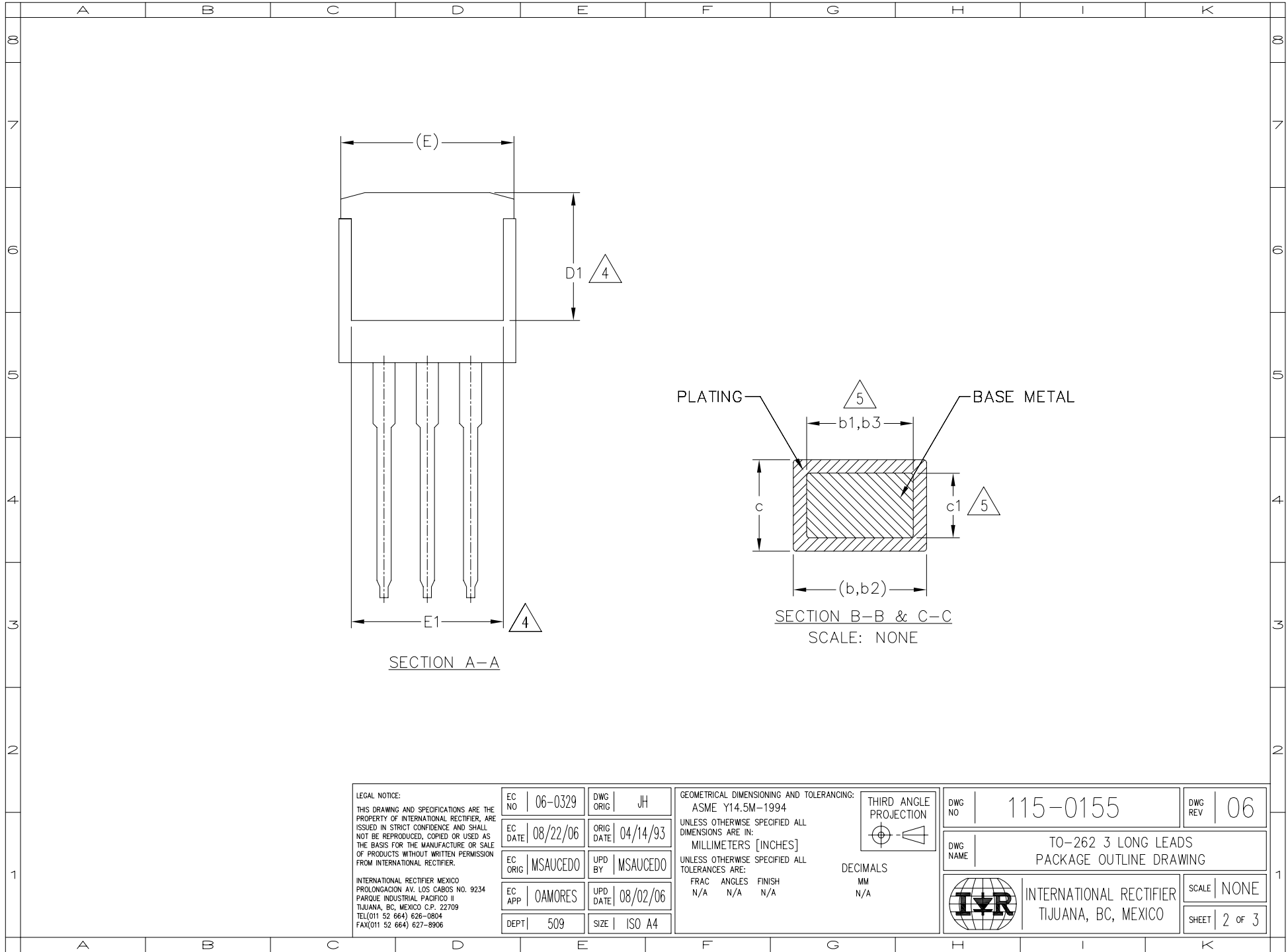
ASME Y14.5M-1994  
 UNLESS OTHERWISE SPECIFIED ALL DIMENSIONS ARE IN:  
 MILLIMETERS [INCHES]  
 UNLESS OTHERWISE SPECIFIED ALL TOLERANCES ARE:  
 FRAC ANGLES FINISH  
 N/A N/A N/A

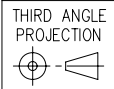


THIRD ANGLE PROJECTION

DECIMALS  
 MM  
 N/A

DWG NO	115-0155	DWG REV	06
DWG NAME	TO-262 3 LONG LEADS PACKAGE OUTLINE DRAWING		
		SCALE	NONE
INTERNATIONAL RECTIFIER		SHEET 1 OF 3	
TIJUANA, BC, MEXICO			



<p>LEGAL NOTICE:</p> <p>THIS DRAWING AND SPECIFICATIONS ARE THE PROPERTY OF INTERNATIONAL RECTIFIER, ARE ISSUED IN STRICT CONFIDENCE AND SHALL NOT BE REPRODUCED, COPIED OR USED AS THE BASIS FOR THE MANUFACTURE OR SALE OF PRODUCTS WITHOUT WRITTEN PERMISSION FROM INTERNATIONAL RECTIFIER.</p> <p>INTERNATIONAL RECTIFIER MEXICO          PROLONGACION AV. LOS CABOS NO. 9234          PARQUE INDUSTRIAL PACIFICO II          TIJUANA, BC, MEXICO C.P. 22709          TEL(011 52 664) 626-0804          FAX(011 52 664) 627-8906</p>	EC NO   06-0329	DWG ORIG   JH	<p>GEOMETRICAL DIMENSIONING AND TOLERANCING:          ASME Y14.5M-1994</p> <p>UNLESS OTHERWISE SPECIFIED ALL DIMENSIONS ARE IN:          MILLIMETERS [INCHES]</p> <p>UNLESS OTHERWISE SPECIFIED ALL TOLERANCES ARE:          FRAC ANGLES FINISH          N/A N/A N/A</p>	<p>THIRD ANGLE PROJECTION</p>  <p>DECIMALS          MM          N/A</p>	DWG NO   115-0155	DWG REV   06
	EC DATE   08/22/06	ORIG DATE   04/14/93			DWG NAME   TO-262 3 LONG LEADS PACKAGE OUTLINE DRAWING	
	EC ORIG   MSAUCEDO	UPD BY   MSAUCEDO			SCALE   NONE	
	EC APP   OAMORES	UPD DATE   08/02/06			SHEET   2 OF 3	
	DEPT   509	SIZE   ISO A4				

SYMBOL	DIMENSIONS				NOTES
	MILLIMETERS		INCHES		
	MIN.	MAX.	MIN.	MAX.	
A	4.06	4.83	.160	.190	
A1	2.03	3.02	.080	.119	
b	0.51	0.99	.020	.039	
b1	0.51	0.89	.020	.035	5
b2	1.14	1.78	.045	.070	
b3	1.14	1.73	.045	.068	5
c	0.38	0.74	.015	.029	
c1	0.38	0.58	.015	.023	5
c2	1.14	1.65	.045	.065	
D	8.38	9.65	.330	.380	3
D1	6.86	—	.270	—	4
E	9.65	10.67	.380	.420	3,4
E1	6.22	—	.245	—	4
e	2.54 BSC		.100 BSC		
L	13.46	14.10	.530	.555	
L1	—	1.65	—	.065	4
L2	3.56	3.71	.140	.146	

NOTES:

1. DIMENSIONING AND TOLERANCING PER ASME Y14.5M-1994

2. DIMENSIONS ARE SHOWN IN MILLIMETERS [INCHES].

3. DIMENSION D & E DO NOT INCLUDE MOLD FLASH. MOLD FLASH SHALL NOT EXCEED 0.127 [ .005" ] PER SIDE. THESE DIMENSIONS ARE MEASURED AT THE OUTMOST EXTREMES OF THE PLASTIC BODY.

4. THERMAL PAD CONTOUR OPTIONAL WITHIN DIMENSION E, L1, D1 & E1.

5. DIMENSION b1 AND c1 APPLY TO BASE METAL ONLY.

6. CONTROLLING DIMENSION: INCH.

7.- OUTLINE CONFORM TO JEDEC TO-262 EXCEPT A1(max.), b(min.) AND D1(min.) WHERE DIMENSIONS DERIVED THE ACTUAL PACKAGE OUTLINE.

LEAD ASSIGNMENTS

IGBTs, CoPACK

- 1.- GATE
- 2.- COLLECTOR
- 3.- EMITTER
- 4.- COLLECTOR

HEXFET

- 1.- GATE
- 2.- DRAIN
- 3.- SOURCE
- 4.- DRAIN

DIODES

- 1.- ANODE (TWO DIE) / OPEN (ONE DIE)
- 2, 4.- CATHODE
- 3.- ANODE

LEGAL NOTICE:

THIS DRAWING AND SPECIFICATIONS ARE THE PROPERTY OF INTERNATIONAL RECTIFIER. ARE ISSUED IN STRICT CONFIDENCE AND SHALL NOT BE REPRODUCED, COPIED OR USED AS THE BASIS FOR THE MANUFACTURE OR SALE OF PRODUCTS WITHOUT WRITTEN PERMISSION FROM INTERNATIONAL RECTIFIER.

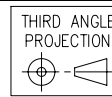
INTERNATIONAL RECTIFIER MEXICO  
 PROLONGACION AV. LOS CABOS NO. 9234  
 PARQUE INDUSTRIAL PACIFICO II  
 TIJUANA, BC, MEXICO C.P. 22709  
 TEL(011 52 664) 626-0804  
 FAX(011 52 664) 627-8906

EC NO	06-0329	DWG ORIG	JH
EC DATE	08/22/06	ORIG DATE	04/14/93
EC ORIG	MSAUCEDO	UPD BY	MSAUCEDO
EC APP	OAMORES	UPD DATE	08/02/06
DEPT	509	SIZE	ISO A4

GEOMETRICAL DIMENSIONING AND TOLERANCING:  
 ASME Y14.5M-1994

UNLESS OTHERWISE SPECIFIED ALL DIMENSIONS ARE IN:  
 MILLIMETERS [INCHES]

UNLESS OTHERWISE SPECIFIED ALL TOLERANCES ARE:  
 FRAC ANGLES FINISH  
 N/A N/A N/A



DECIMALS  
 MM  
 N/A

DWG NO	115-0155	DWG REV	06
TO-262 3 LONG LEADS PACKAGE OUTLINE DRAWING			
INTERNATIONAL RECTIFIER TIJUANA, BC, MEXICO			SCALE   NONE
			SHEET   3 OF 3