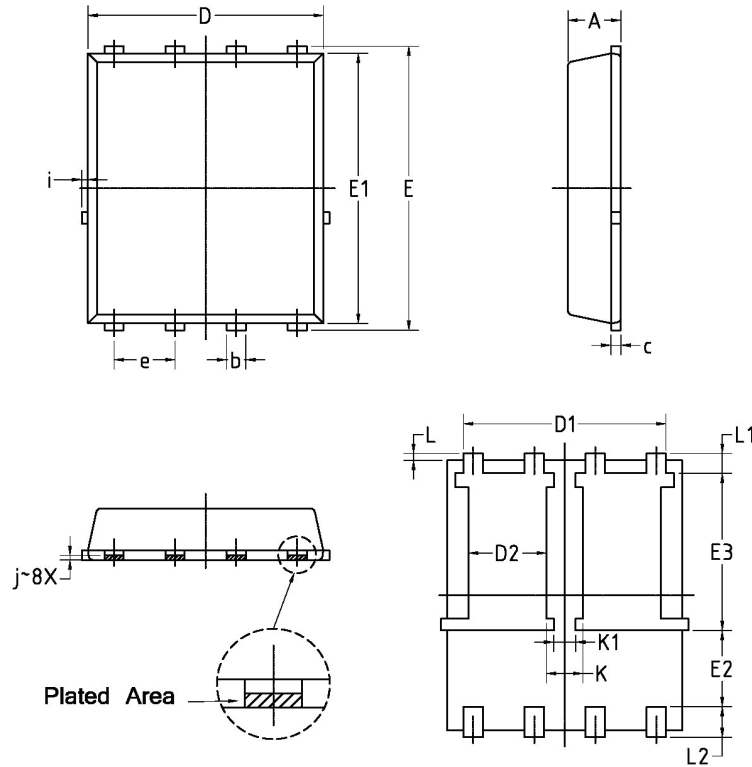


Dual PQFN 5x6 Package Details



| SYMBOL | COMMON | | | |
|--------|------------|-------|-----------|-------|
| | MM | | INCH | |
| | MIN. | MAX. | MIN. | MAX. |
| A | 1.00 | 1.20 | 0.039 | 0.047 |
| b | 0.30 | 0.50 | 0.012 | 0.020 |
| c | 0.203 BSC | | 0.008 BSC | |
| D | 4.80 | 5.00 | 0.189 | 0.197 |
| D1 | 4.06 | 4.36 | 0.160 | 0.172 |
| D2 | 1.47 | 1.77 | 0.058 | 0.070 |
| E | 5.90 | 6.20 | 0.232 | 0.244 |
| E1 | 5.65 | 5.85 | 0.222 | 0.230 |
| E2 | 1.45 | — | 0.057 | — |
| E3 | 3.20 | 3.50 | 0.126 | 0.138 |
| e | 1.27 BSC | | 0.05 BSC | |
| L | 0.05 | 0.25 | 0.002 | 0.010 |
| L1 | 0.325 | 0.525 | 0.013 | 0.021 |
| L2 | 0.500 | 0.800 | 0.020 | 0.031 |
| i | — | 0.20 | — | 0.008 |
| K | 0.61 | 0.91 | 0.024 | 0.036 |
| K1 | 0.31 | 0.60 | 0.012 | 0.024 |
| j | 0.1015 BSC | | 0.004 BSC | |

For more information on board mounting, including footprint and stencil recommendation, please refer to application note AN-1136: <http://www.irf.com/technical-info/appnotes/an-1136.pdf>

For more information on package inspection techniques, please refer to application note AN-1154:

<http://www.irf.com/technical-info/appnotes/an-1154.pdf>