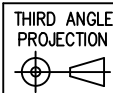


LEGAL NOTICE:
 THIS DRAWING AND SPECIFICATIONS ARE THE PROPERTY OF INTERNATIONAL RECTIFIER, ARE ISSUED IN STRICT CONFIDENCE AND SHALL NOT BE REPRODUCED, COPIED OR USED AS THE BASIS FOR THE MANUFACTURE OR SALE OF PRODUCTS WITHOUT WRITTEN PERMISSION FROM INTERNATIONAL RECTIFIER.

INTERNATIONAL RECTIFIER MEXICO
 PROLONGACION AV. LOS CABOS NO. 9234
 PARQUE INDUSTRIAL PACIFICO II
 TIJUANA, BC, MEXICO C.P. 22709
 TEL(011 52 664) 626-0804
 FAX(011 52 664) 627-8906

EC NO 13-0614	DWG ORIG AGOMEZ
EC DATE 08/19/13	ORIG DATE 06/04/98
EC ORIG MSAUCEDO	UPD BY MSAUCEDO
EC APP RABAYON	UPD DATE 08/13/13
DEPT 509	SIZE A: 11x8.5

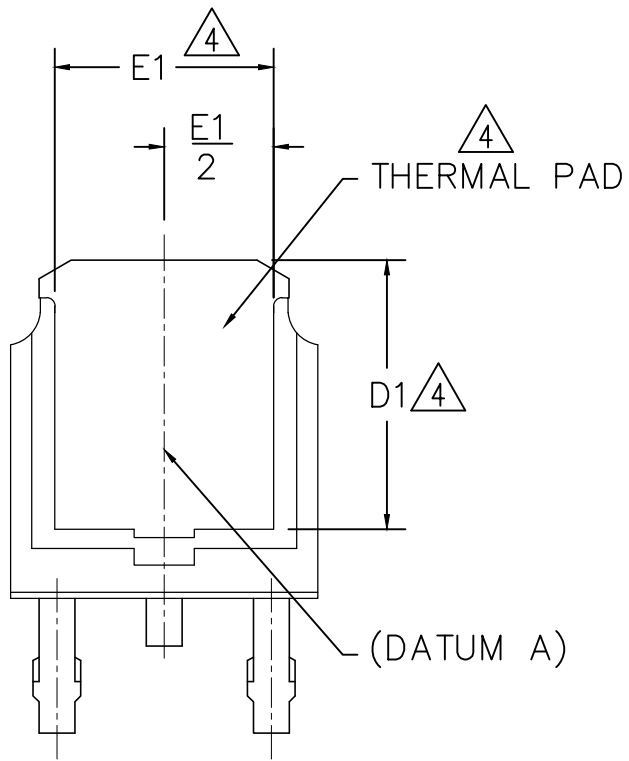
GEOMETRICAL DIMENSIONING AND TOLERANCING:
 ASME Y14.5M-1994
 UNLESS OTHERWISE SPECIFIED ALL DIMENSIONS ARE IN:
 MILLIMETERS [INCHES]
 UNLESS OTHERWISE SPECIFIED ALL TOLERANCES ARE:
 FRAC ANGLES FINISH MM IN
 N/A N/A N/A N/A N/A



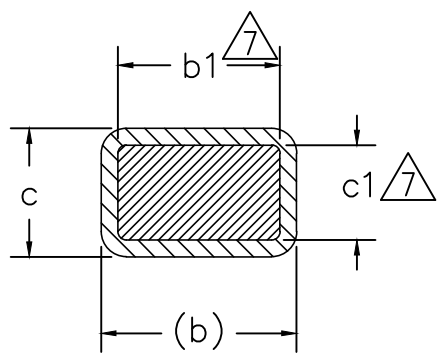
THIRD ANGLE PROJECTION
 DECIMALS
 MM IN
 N/A N/A

DWG NO 115-0179	DWG REV 06
DWG NAME TO-252AA, 3 LEADS PACKAGE OUTLINE DRAWING	
INTERNATIONAL RECTIFIER TIJUANA, BC, MEXICO	
SCALE 5:1	SHEET 1 of 3

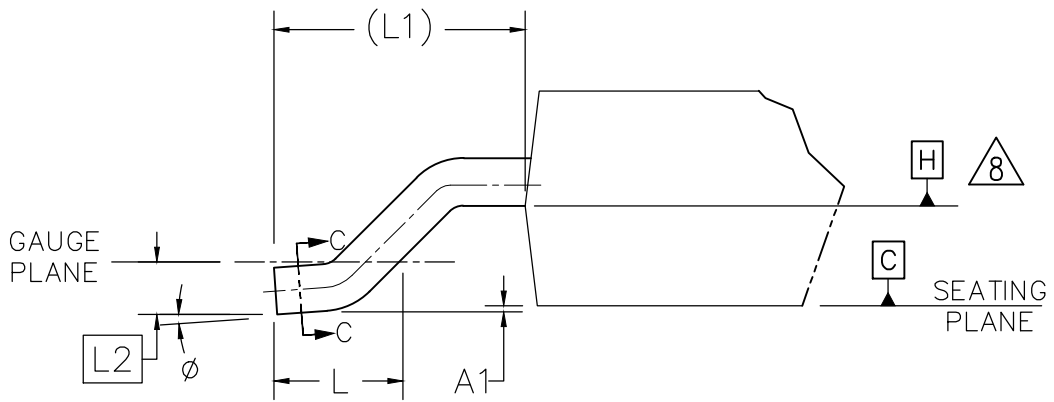




VIEW A-A



SECTION C-C



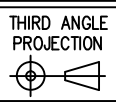
DETAIL "C"
ROTATED 90° CW
SCALE: 20:1

LEGAL NOTICE:
THIS DRAWING AND SPECIFICATIONS ARE THE PROPERTY OF INTERNATIONAL RECTIFIER, ARE ISSUED IN STRICT CONFIDENCE AND SHALL NOT BE REPRODUCED, COPIED OR USED AS THE BASIS FOR THE MANUFACTURE OR SALE OF PRODUCTS WITHOUT WRITTEN PERMISSION FROM INTERNATIONAL RECTIFIER.

INTERNATIONAL RECTIFIER MEXICO
PROLONGACION AV. LOS CABOS NO. 9234
PARQUE INDUSTRIAL PACIFICO II
TIJUANA, BC, MEXICO C.P. 22709
TEL(011 52 664) 626-0804
FAX(011 52 664) 627-8906

EC NO 13-0614	DWG ORIG AGOMEZ
EC DATE 08/19/13	ORIG DATE 06/04/98
EC ORIG MSAUCEDO	UPD BY MSAUCEDO
EC APP RABAYON	UPD DATE 08/13/13
DEPT 509	SIZE A: 11x8.5

GEOMETRICAL DIMENSIONING AND TOLERANCING:
ASME Y14.5M-1994
UNLESS OTHERWISE SPECIFIED ALL DIMENSIONS ARE IN:
MILLIMETERS [INCHES]
UNLESS OTHERWISE SPECIFIED ALL TOLERANCES ARE:
FRAC ANGLES FINISH MM IN
N/A N/A N/A N/A N/A



DECIMALS
MM IN
N/A N/A

DWG NO 115-0179	DWG REV 06
DWG NAME TO-252AA, 3 LEADS PACKAGE OUTLINE DRAWING	
INTERNATIONAL RECTIFIER TIJUANA, BC, MEXICO	
SCALE 5:1	SHEET 2 of 3



NOTES:

- 1.- DIMENSIONING AND TOLERANCING PER ASME Y14.5M-1994
- 2.- DIMENSION ARE SHOWN IN INCHES [MILLIMETERS].
- 3.- LEAD DIMENSION UNCONTROLLED IN L5.
- 4.- DIMENSION D1, E1, L3 & b3 ESTABLISH A MINIMUM MOUNTING SURFACE FOR THERMAL PAD.
- 5.- SECTION C-C DIMENSIONS APPLY TO THE FLAT SECTION OF THE LEAD BETWEEN .005 AND 0.10 [0.13 AND 0.25] FROM THE LEAD TIP.
- 6.- DIMENSION D & E DO NOT INCLUDE MOLD FLASH. MOLD FLASH SHALL NOT EXCEED .006 [0.15] PER SIDE. THESE DIMENSIONS ARE MEASURED AT THE OUTMOST EXTREMES OF THE PLASTIC BODY.
- 7.- DIMENSION b1 & c1 APPLIED TO BASE METAL ONLY.
- 8.- DATUM A & B TO BE DETERMINED AT DATUM PLANE H.
- 9.- OUTLINE CONFORMS TO JEDEC OUTLINE TO-252AA.

SYMBOL	DIMENSIONS				NOTES
	MILLIMETERS		INCHES		
	MIN.	MAX.	MIN.	MAX.	
A	2.18	2.39	.086	.094	
A1	-	0.13	-	.005	
b	0.64	0.89	.025	.035	
b1	0.64	0.79	.025	.031	7
b2	0.76	1.14	.030	.045	
b3	4.95	5.46	.195	.215	4
c	0.46	0.61	.018	.024	
c1	0.41	0.56	.016	.022	7
c2	0.46	0.89	.018	.035	
D	5.97	6.22	.235	.245	6
D1	5.21	-	.205	-	4
E	6.35	6.73	.250	.265	6
E1	4.32	-	.170	-	4
e	2.29 BSC		.090 BSC		
H	9.40	10.41	.370	.410	
L	1.40	1.78	.055	.070	
L1	2.74 BSC		.108 REF.		
L2	0.51 BSC		.020 BSC		
L3	0.89	1.27	.035	.050	4
L4	-	1.02	-	.040	
L5	1.14	1.52	.045	.060	3
∅	0°	10°	0°	10°	
∅1	0°	15°	0°	15°	
∅2	25°	35°	25°	35°	

LEAD ASSIGNMENTS

HEXFET

- 1.- GATE
- 2.- DRAIN
- 3.- SOURCE
- 4.- DRAIN

IGBT & CoPAK

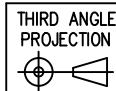
- 1.- GATE
- 2.- COLLECTOR
- 3.- EMITTER
- 4.- COLLECTOR

LEGAL NOTICE:
THIS DRAWING AND SPECIFICATIONS ARE THE PROPERTY OF INTERNATIONAL RECTIFIER, ARE ISSUED IN STRICT CONFIDENCE AND SHALL NOT BE REPRODUCED, COPIED OR USED AS THE BASIS FOR THE MANUFACTURE OR SALE OF PRODUCTS WITHOUT WRITTEN PERMISSION FROM INTERNATIONAL RECTIFIER.

INTERNATIONAL RECTIFIER MEXICO
PROLONGACION AV. LOS CABOS NO. 9234
PARQUE INDUSTRIAL PACIFICO I
TIJUANA, BC, MEXICO C.P. 22709
TEL(011 52 664) 626-0804
FAX(011 52 664) 627-8906

EC NO	13-0614	DWG ORIG	AGOMEZ
EC DATE	08/19/13	ORIG DATE	06/04/98
EC ORIG	MSAUCEDO	UPD BY	MSAUCEDO
EC APP	RABAYON	UPD DATE	08/13/13
DEPT	509	SIZE	A: 11x8.5

GEOMETRICAL DIMENSIONING AND TOLERANCING:
ASME Y14.5M-1994
UNLESS OTHERWISE SPECIFIED ALL DIMENSIONS ARE IN:
MILLIMETERS [INCHES]
UNLESS OTHERWISE SPECIFIED ALL TOLERANCES ARE:
FRAC ANGLES FINISH
N/A N/A N/A



DECIMALS
MM IN
N/A N/A

DWG NO	115-0179	DWG REV	06
DWG NAME	TO-252AA, 3 LEADS PACKAGE OUTLINE DRAWING		
INTERNATIONAL RECTIFIER		SCALE	5:1
TIJUANA, BC, MEXICO		SHEET	3 of 3

