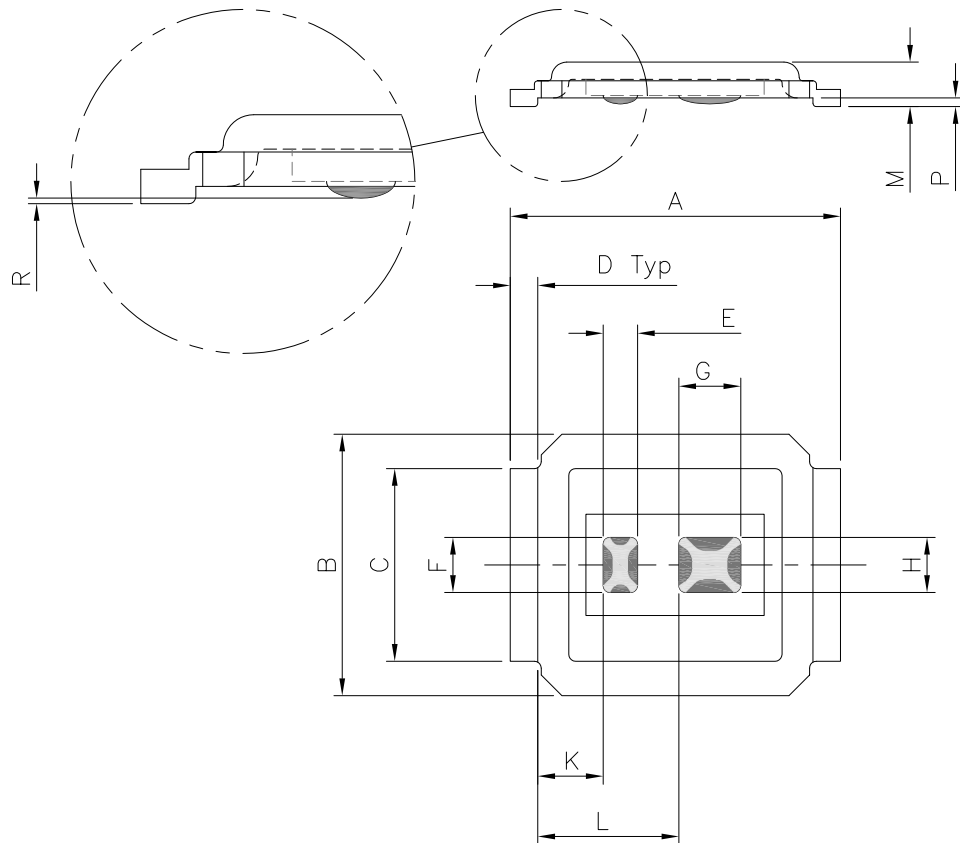


DirectFET™ Outline Dimension, SQ Outline (Small Size Can, Q-Designation)

Please see AN-1035 for DirectFET assembly details, stencil and substrate design recommendations



DIMENSIONS				
CODE	METRIC		IMPERIAL	
	MIN	MAX	MIN	MAX
A	4.75	4.85	0.187	0.191
B	3.70	3.95	0.146	0.156
C	2.75	2.85	0.108	0.112
D	0.35	0.45	0.014	0.018
E	0.48	0.52	0.019	0.020
F	0.78	0.82	0.031	0.032
G	0.88	0.92	0.035	0.036
H	0.78	0.82	0.031	0.032
J	N/A	N/A	N/A	N/A
K	0.93	0.97	0.037	0.038
L	2.00	2.10	0.079	0.083
M	0.59	0.70	0.023	0.028
P	0.08	0.17	0.003	0.007
R	0.020	0.080	0.0008	0.0031

Dimensions are shown in
millimeters (inches)