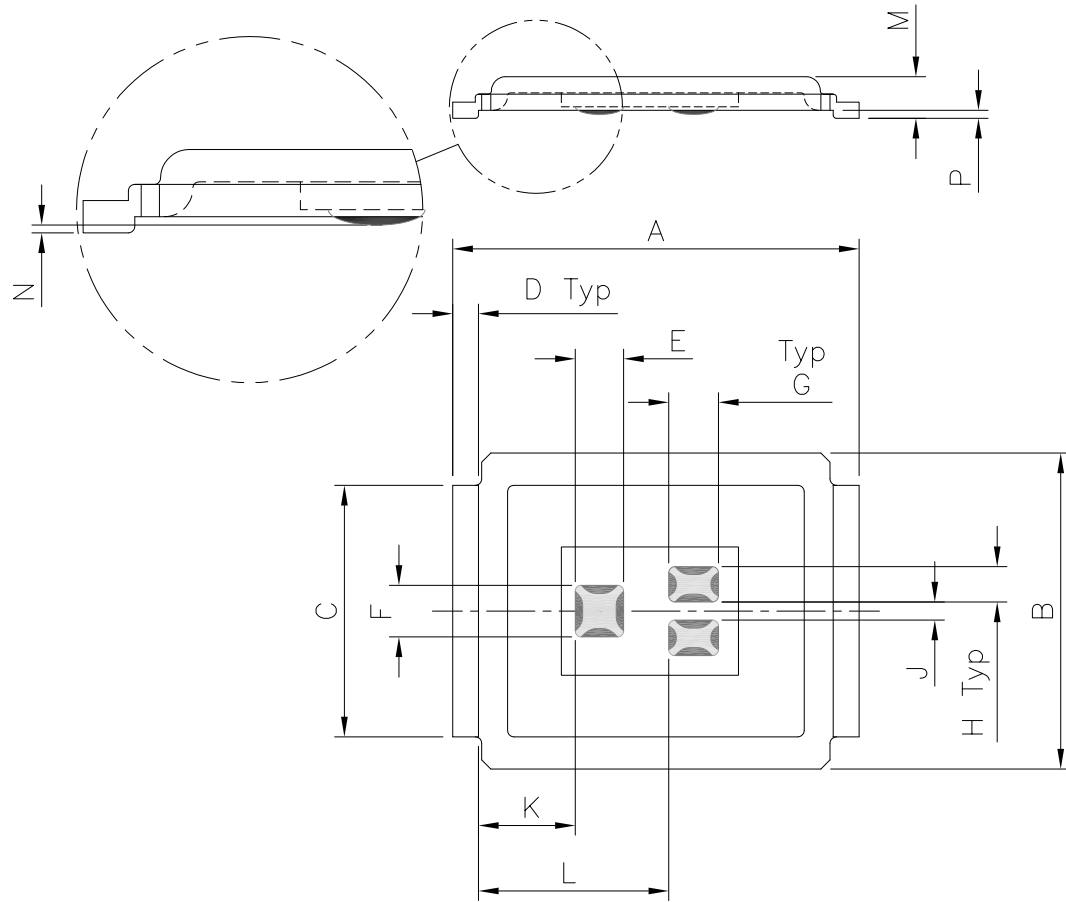


# DirectFET™ Outline Dimension, MU Outline (Medium Size Can, U-Designation)

Please see AN-1035 for DirectFET assembly details, stencil and substrate design recommendations



DIMENSIONS				
CODE	METRIC		IMPERIAL	
	MIN	MAX	MIN	MAX
A	6.25	6.35	0.246	0.250
B	4.80	5.05	0.189	0.199
C	3.85	3.95	0.152	0.156
D	0.35	0.45	0.014	0.018
E	0.73	0.77	0.029	0.030
F	0.78	0.82	0.031	0.032
G	0.75	0.79	0.030	0.031
H	0.53	0.57	0.021	0.022
J	0.26	0.30	0.010	0.012
K	1.45	1.55	0.057	0.061
L	2.90	3.00	0.114	0.118
M	0.59	0.70	0.023	0.028
N	0.02	0.08	0.0008	0.003
P	0.08	0.17	0.003	0.007

Dimensions are shown in millimeters (inches)