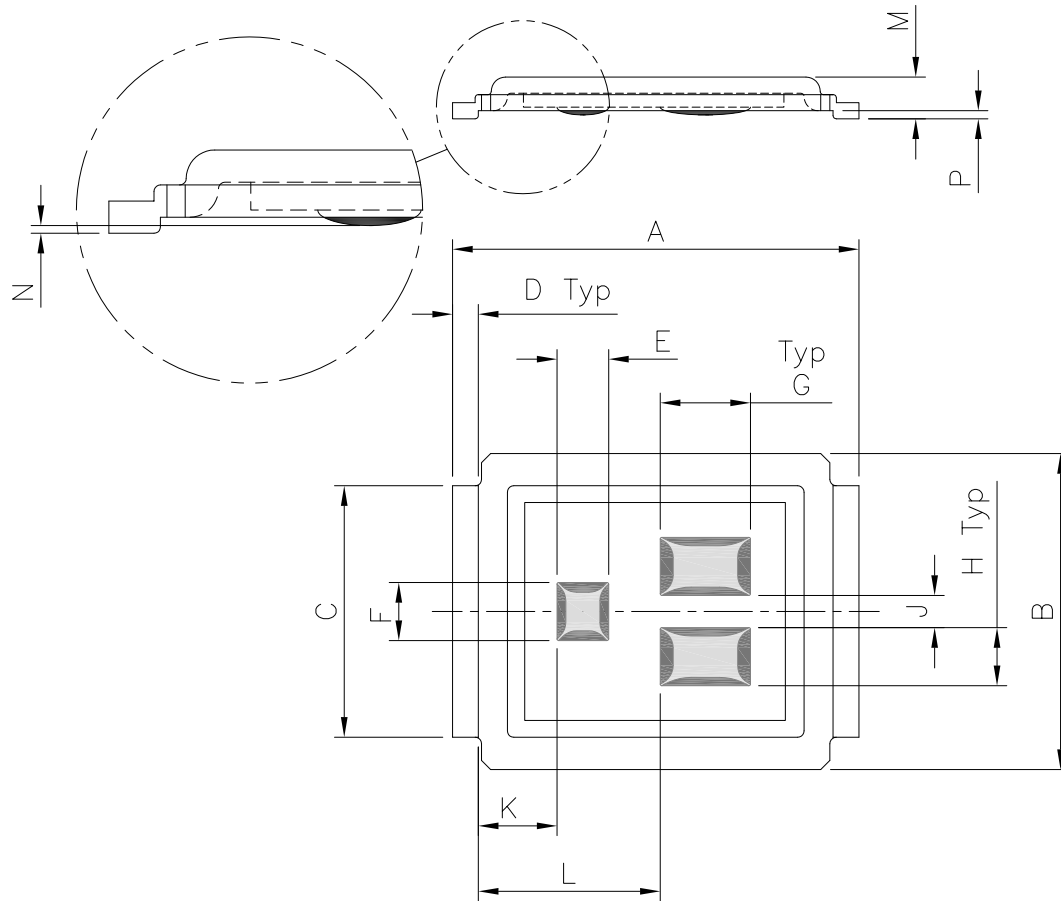


DirectFET™ Outline Dimension, MN Outline (Medium Size Can, N-Designation)

Please see AN-1035 for DirectFET assembly details, stencil and substrate design recommendations



DIMENSIONS				
CODE	METRIC		IMPERIAL	
	MIN	MAX	MIN	MAX
A	6.25	6.35	0.246	0.250
B	4.80	5.05	0.189	0.199
C	3.85	3.95	0.152	0.156
D	0.35	0.45	0.014	0.018
E	0.78	0.82	0.031	0.032
F	0.88	0.92	0.035	0.036
G	1.38	1.42	0.054	0.056
H	0.88	0.92	0.035	0.036
J	0.48	0.52	0.019	0.020
K	1.17	1.27	0.046	0.050
L	2.77	2.87	0.109	0.113
M	0.59	0.70	0.023	0.028
N	0.02	0.08	0.0008	0.003
P	0.08	0.17	0.003	0.007

Dimensions are shown in millimeters (inches)