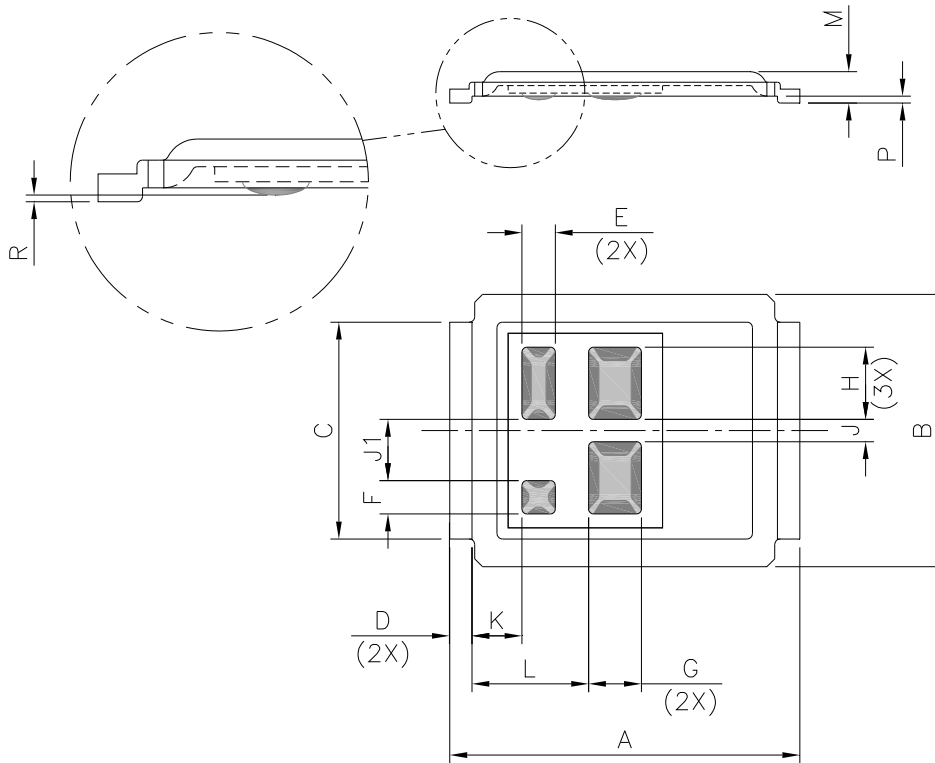


**DirectFET® Outline Dimension, MD Outline
(Medium Size Can, D-Designation).**

Please see DirectFET application note AN-1035 for all details regarding the assembly of DirectFET. This includes all recommendations for stencil and substrate designs.



DIMENSIONS				
	METRIC		IMPERIAL	
CODE	MIN	MAX	MIN	MAX
A	6.25	6.35	0.246	0.250
B	4.80	5.05	0.189	0.199
C	3.85	3.95	0.152	0.156
D	0.35	0.45	0.014	0.018
E	0.58	0.62	0.023	0.024
F	0.58	0.62	0.023	0.024
G	0.93	0.97	0.037	0.038
H	1.28	1.32	0.050	0.052
J	0.38	0.42	0.015	0.017
J1	1.08	1.12	0.043	0.044
K	0.88	0.92	0.035	0.036
L	2.08	2.12	0.082	0.083
M	0.535	0.595	0.021	0.023
R	0.02	0.08	0.0008	0.0031
P	0.08	0.17	0.003	0.007

Dimensions are shown in millimeters (inches)