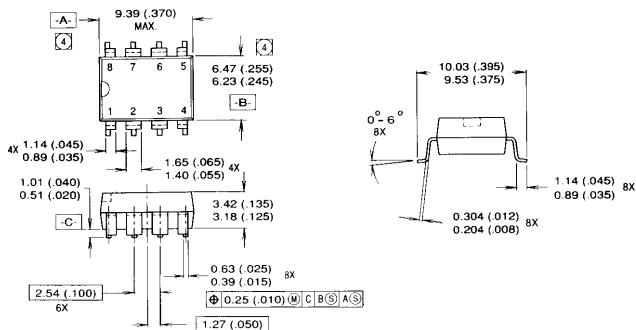
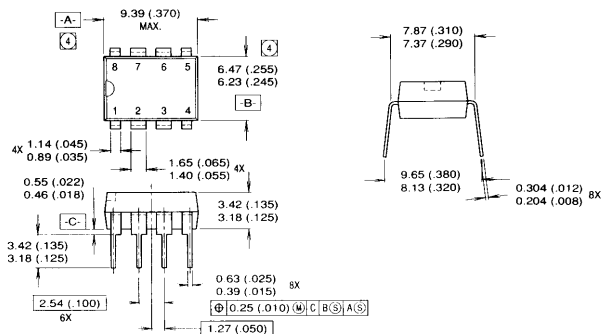


Mechanical Specifications

Dimensions in millimeters (inches)



1. Dimensioning and tolerancing per ANSI Y14.5M-1982
2. Controlling dimension: INCH

④ Dimension does not include mold protrusions.

Mold protrusions shall not exceed 0.25 (.010).