

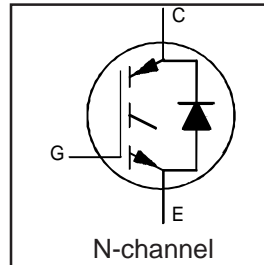
# IRGPS60B120KDP

INSULATED GATE BIPOLAR TRANSISTOR WITH  
ULTRAFAST SOFT RECOVERY DIODE

Motor Control Co-Pack IGBT

## Features

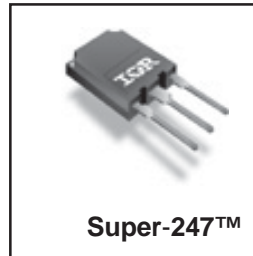
- Low VCE (on) Non Punch Through IGBT Technology.
- Low Diode VF.
- 10µs Short Circuit Capability.
- Square RBSOA.
- Ultrasoft Diode Reverse Recovery Characteristics.
- Positive VCE (on) Temperature Coefficient.
- Super-247 Package.
- Lead-Free



$V_{CES} = 1200V$
$V_{CE(on)} \text{ typ.} = 2.50V$
@ $V_{GE} = 15V,$
$I_{CE} = 60A, T_j = 25^\circ C$

## Benefits

- Benchmark Efficiency for Motor Control.
- Rugged Transient Performance.
- Low EMI.
- Significantly Less Snubber Required
- Excellent Current Sharing in Parallel Operation.



## Absolute Maximum Ratings

	Parameter	Max.	Units
$V_{CES}$	Collector-to-Emitter Voltage	1200	V
$I_C @ T_C = 25^\circ C$	Continuous Collector Current	105②	A
$I_C @ T_C = 100^\circ C$	Continuous Collector Current	60	
$I_{CM}$	Pulsed Collector Current	240	
$I_{LM}$	Clamped Inductive Load Current ①	240	
$I_F @ T_C = 25^\circ C$	Diode Continuous Forward Current	120	
$I_F @ T_C = 100^\circ C$	Diode Continuous Forward Current	60	
$I_{FM}$	Diode Maximum Forward Current	240	
$V_{GE}$	Gate-to-Emitter Voltage	$\pm 20$	V
$P_D @ T_C = 25^\circ C$	Maximum Power Dissipation	595	W
$P_D @ T_C = 100^\circ C$	Maximum Power Dissipation	238	
$T_J$	Operating Junction and	-55 to +150	$^\circ C$
$T_{STG}$	Storage Temperature Range		
	Soldering Temperature, for 10 sec.	300 (0.063 in. (1.6mm) from case)	

## Thermal Resistance

	Parameter	Min.	Typ.	Max.	Units
$R_{\theta JC}$	Junction-to-Case - IGBT	—	—	0.20	$^\circ C/W$
$R_{\theta JC}$	Junction-to-Case - Diode	—	—	0.41	
$R_{\theta CS}$	Case-to-Sink, flat, greased surface	—	0.24	—	
$R_{\theta JA}$	Junction-to-Ambient, typical socket mount	—	—	40	
	Recommended Clip Force	20 (2)	—	—	N(kgf)
Wt	Weight	—	6.0 (0.21)	—	g (oz)
Le	Internal Emitter Inductance (5mm from package)	—	13	—	nH

# IRGPS60B120KDP

International  
**IR** Rectifier

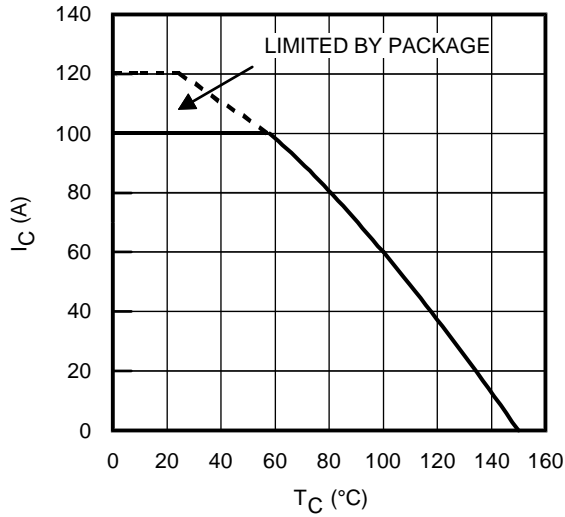
## Electrical Characteristics @ T<sub>J</sub> = 25°C (unless otherwise specified)

	Parameter	Min.	Typ.	Max.	Units	Conditions	Ref.Fig.
V <sub>(BR)CES</sub>	Collector-to-Emitter Breakdown Voltage	1200	—	—	V	V <sub>GE</sub> = 0V, I <sub>C</sub> = 500μA	
ΔV <sub>(BR)CES</sub> /ΔT <sub>J</sub>	Temperature Coeff. of Breakdown Voltage	—	0.40	—	V/°C	V <sub>GE</sub> = 0V, I <sub>C</sub> = 1.0mA, (25°C-125°C)	
V <sub>CE(on)</sub>	Collector-to-Emitter Saturation Voltage	—	2.33	2.50	V	I <sub>C</sub> = 50A V <sub>GE</sub> = 15V I <sub>C</sub> = 60A I <sub>C</sub> = 50A, T <sub>J</sub> = 125°C I <sub>C</sub> = 60A, T <sub>J</sub> = 125°C	5, 6
		—	2.50	2.75			7, 9
		—	2.79	3.1			10
		—	3.04	3.5			11
V <sub>GE(th)</sub>	Gate Threshold Voltage	4.0	5.0	6.0		V <sub>CE</sub> = V <sub>GE</sub> , I <sub>C</sub> = 250μA	9,10
ΔV <sub>GE(th)</sub> /ΔT <sub>J</sub>	Temperature Coeff. of Threshold Voltage	—	-12	—	mV/°C	V <sub>CE</sub> = V <sub>GE</sub> , I <sub>C</sub> = 1.0mA, (25°C-125°C)	11, 12
g <sub>fe</sub>	Forward Transconductance	—	34.4	—	S	V <sub>CE</sub> = 50V, I <sub>C</sub> = 60A, PW=80μs	
I <sub>CES</sub>	Zero Gate Voltage Collector Current	—	—	500	μA	V <sub>GE</sub> = 0V, V <sub>CE</sub> = 1200V	
		—	650	1350		V <sub>GE</sub> = 0V, V <sub>CE</sub> = 1200V, T <sub>J</sub> = 125°C	
V <sub>FM</sub>	Diode Forward Voltage Drop	—	1.82	2.10	V	I <sub>C</sub> = 50A	8
		—	1.93	2.20		I <sub>C</sub> = 60A	
		—	1.96	2.20		I <sub>C</sub> = 50A, T <sub>J</sub> = 125°C	
		—	2.13	2.40		I <sub>C</sub> = 60A, T <sub>J</sub> = 125°C	
I <sub>GES</sub>	Gate-to-Emitter Leakage Current	—	—	±100	nA	V <sub>GE</sub> = ±20V	

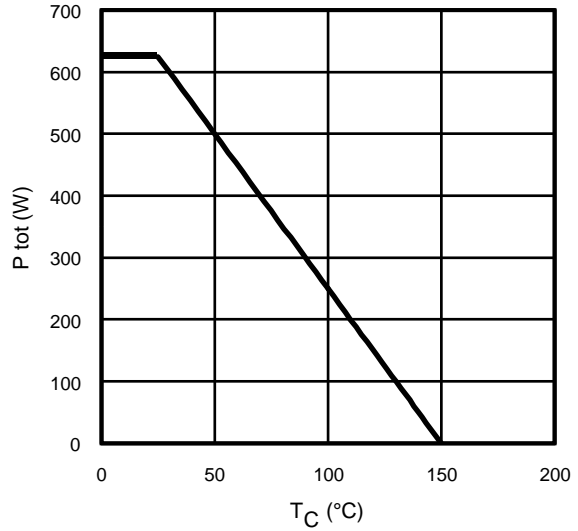
## Switching Characteristics @ T<sub>J</sub> = 25°C (unless otherwise specified)

	Parameter	Min.	Typ.	Max.	Units	Conditions	Ref.Fig.			
Q <sub>g</sub>	Total Gate Charge (turn-on)	—	340	510	nC	I <sub>C</sub> = 60A	23			
Q <sub>ge</sub>	Gate - Emitter Charge (turn-on)	—	40	60		V <sub>CC</sub> = 600V	CT1			
Q <sub>gc</sub>	Gate - Collector Charge (turn-on)	—	165	248		V <sub>GE</sub> = 15V				
E <sub>on</sub>	Turn-On Switching Loss	—	3214	4870	μJ	I <sub>C</sub> = 60A, V <sub>CC</sub> = 600V	CT4			
E <sub>off</sub>	Turn-Off Switching Loss	—	4783	5450		V <sub>GE</sub> = 15V, R <sub>G</sub> = 4.7Ω, L = 200μH	WF1			
E <sub>tot</sub>	Total Switching Loss	—	8000	10320		L <sub>s</sub> = 150nH T <sub>J</sub> = 25°C	WF2			
E <sub>on</sub>	Turn-On Switching Loss	—	5032	6890		T <sub>J</sub> = 125°C	13,15			
E <sub>off</sub>	Turn-Off Switching Loss	—	7457	8385	μJ	Energy losses include "tail" and diode reverse recovery.				
E <sub>tot</sub>	Total Switching Loss	—	12500	15275						
t <sub>d(on)</sub>	Turn-On Delay Time	—	72	94				ns	I <sub>C</sub> = 15A, V <sub>CC</sub> = 600V V <sub>GE</sub> = 15V, R <sub>G</sub> = 4.7Ω L = 200μH L <sub>s</sub> = 150nH, T <sub>J</sub> = 125°C	14, 16
t <sub>r</sub>	Rise Time	—	32	45						
t <sub>d(off)</sub>	Turn-Off Delay Time	—	366	400						
t <sub>f</sub>	Fall Time	—	45	58						
C <sub>ies</sub>	Input Capacitance	—	4300	—	pF	V <sub>GE</sub> = 0V	22			
C <sub>oes</sub>	Output Capacitance	—	395	—		V <sub>CC</sub> = 30V				
C <sub>res</sub>	Reverse Transfer Capacitance	—	160	—		f = 1.0MHz				
RBSOA	Reverse Bias Safe Operating Area	FULL SQUARE				T <sub>J</sub> = 150°C, I <sub>C</sub> = 240A, V <sub>p</sub> = 1200V V <sub>CC</sub> = 1000V, V <sub>GE</sub> = +15V to 0V R <sub>G</sub> = 4.7Ω	4 CT2			
SCSOA	Short Circuit Safe Operating Area	10	—	—	μs	T <sub>J</sub> = 150°C, V <sub>p</sub> = 1200V V <sub>CC</sub> = 900V, V <sub>GE</sub> = +15V to 0V, R <sub>G</sub> = 4.7Ω	CT3 WF4			
E <sub>rec</sub>	Reverse Recovery energy of the diode	—	3346	—	μJ	T <sub>J</sub> = 125°C	17,18,19			
t <sub>rr</sub>	Diode Reverse Recovery time	—	180	—	ns	V <sub>CC</sub> = 600V, I <sub>F</sub> = 60A, L = 200μH	20, 21			
I <sub>rr</sub>	Diode Peak Reverse Recovery Current	—	50	—	A	V <sub>GE</sub> = 15V, R <sub>G</sub> = 4.7Ω, L <sub>s</sub> = 150nH	CT4,WF3			

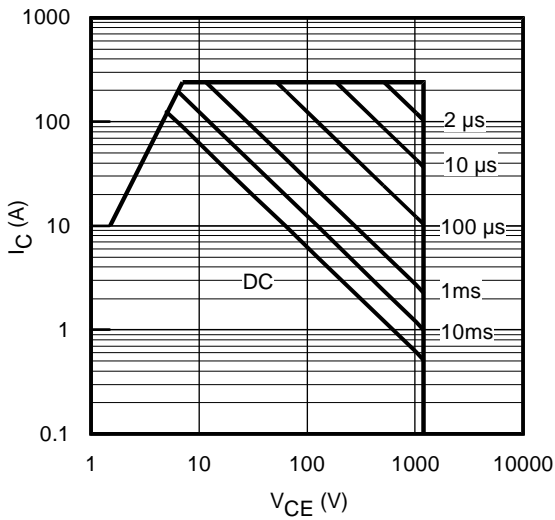
# IRGPS60B120KDP



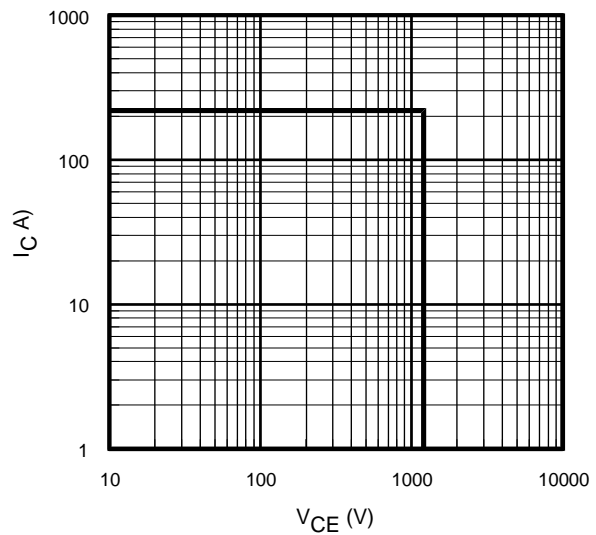
**Fig. 1** - Maximum DC Collector Current vs. Case Temperature®



**Fig. 2** - Power Dissipation vs. Case Temperature

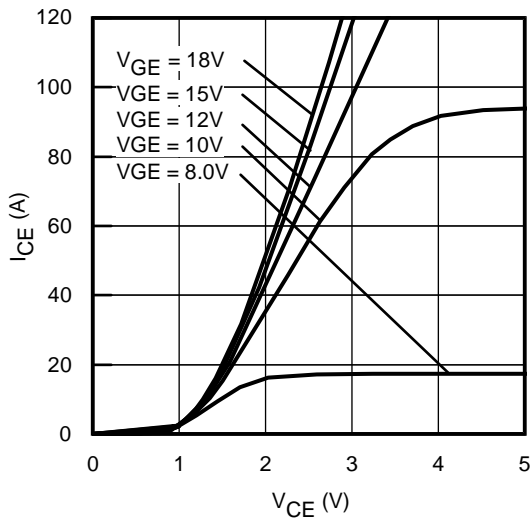


**Fig. 3** - Forward SOA  
 $T_C = 25^\circ\text{C}; T_{JS} \leq 150^\circ\text{C}$

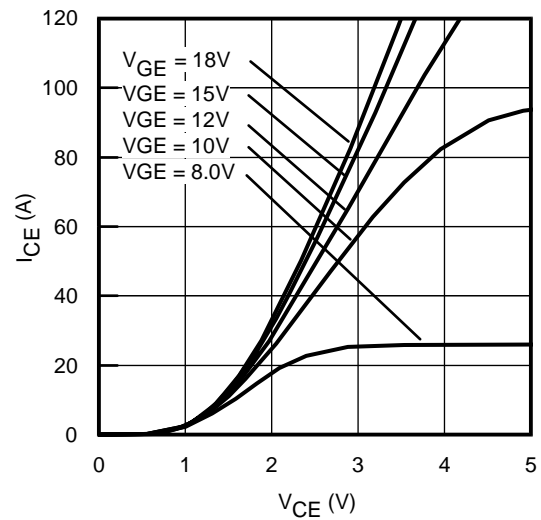


**Fig. 4** - Reverse Bias SOA  
 $T_J = 150^\circ\text{C}; V_{GE} = 15\text{V}$

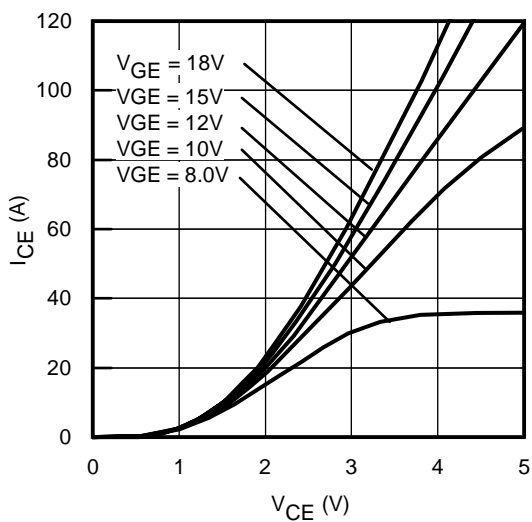
# IRGPS60B120KDP



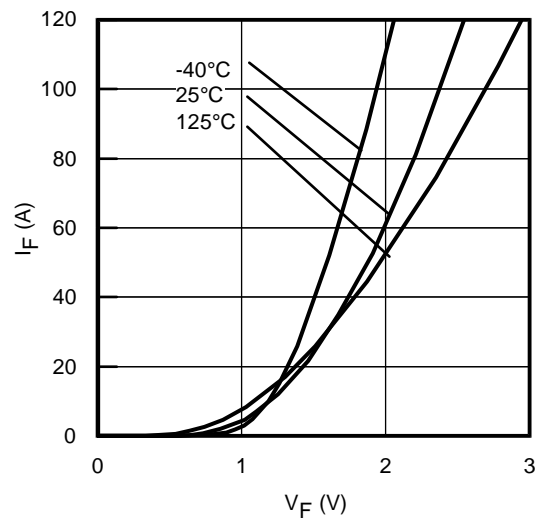
**Fig. 5** - Typ. IGBT Output Characteristics  
 $T_J = -40^\circ\text{C}$ ;  $t_p = 80\mu\text{s}$



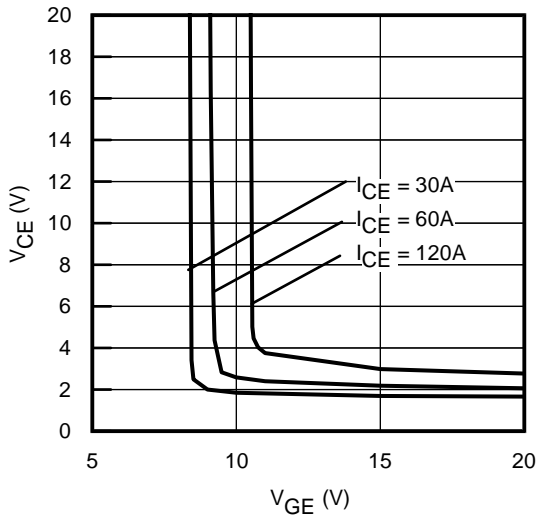
**Fig. 6** - Typ. IGBT Output Characteristics  
 $T_J = 25^\circ\text{C}$ ;  $t_p = 80\mu\text{s}$



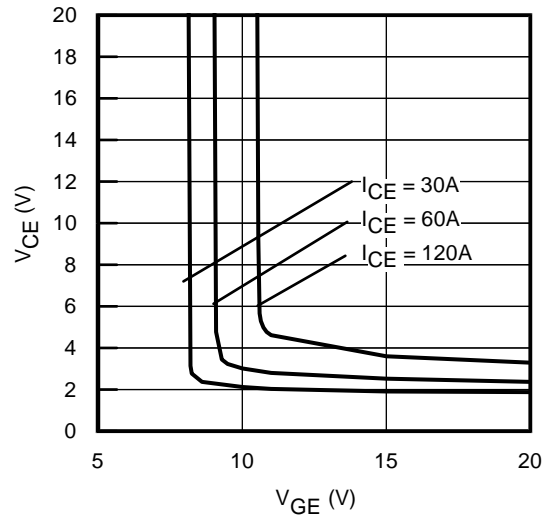
**Fig. 7** - Typ. IGBT Output Characteristics  
 $T_J = 125^\circ\text{C}$ ;  $t_p = 80\mu\text{s}$



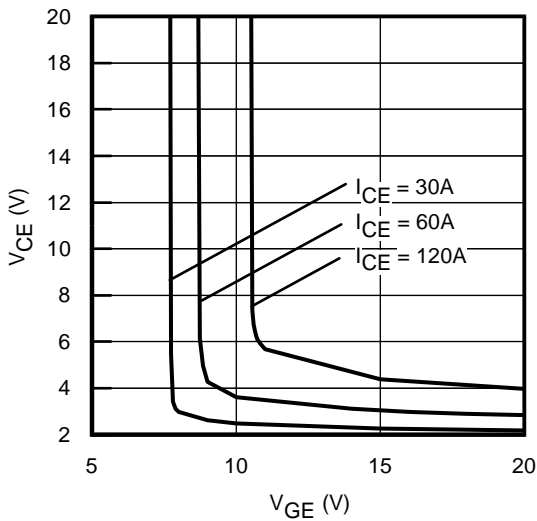
**Fig. 8** - Typ. Diode Forward Characteristics  
 $t_p = 80\mu\text{s}$



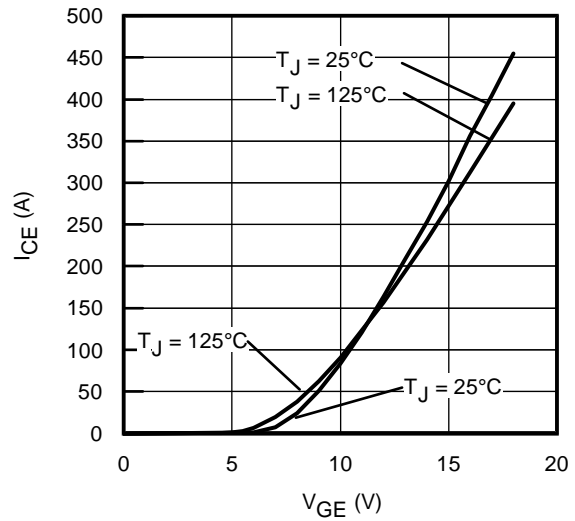
**Fig. 9** - Typical  $V_{CE}$  vs.  $V_{GE}$   
 $T_J = -40^\circ\text{C}$



**Fig. 10** - Typical  $V_{CE}$  vs.  $V_{GE}$   
 $T_J = 25^\circ\text{C}$

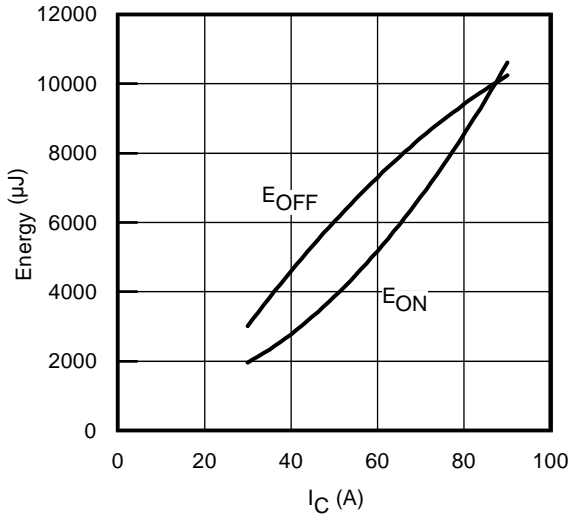


**Fig. 11** - Typical  $V_{CE}$  vs.  $V_{GE}$   
 $T_J = 125^\circ\text{C}$

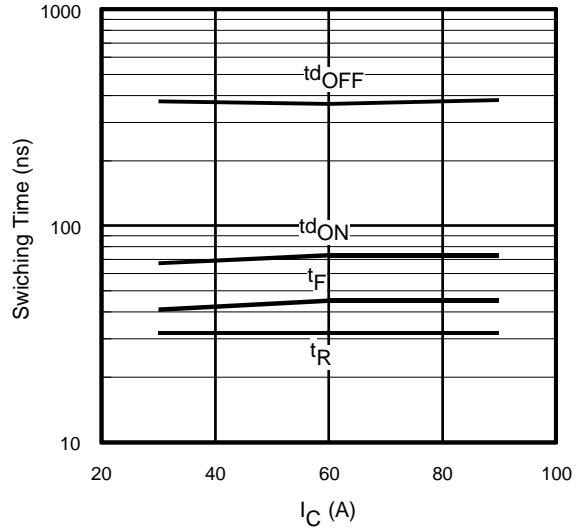


**Fig. 12** - Typ. Transfer Characteristics  
 $V_{CE} = 50\text{V}$ ;  $t_p = 10\mu\text{s}$

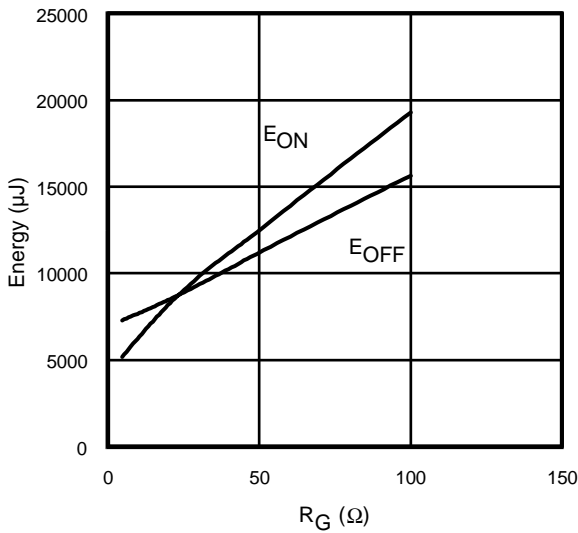
# IRGPS60B120KDP



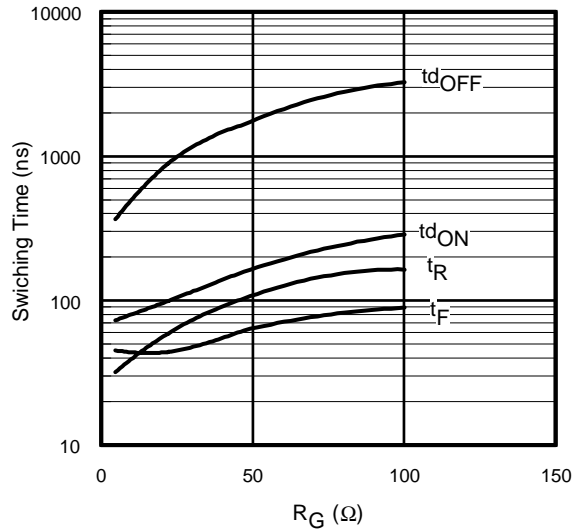
**Fig. 13** - Typ. Energy Loss vs.  $I_C$   
 $T_J = 125^\circ\text{C}$ ;  $L=200\mu\text{H}$ ;  $V_{CE}= 600\text{V}$   
 $R_G= 4.7\Omega$ ;  $V_{GE}= 15\text{V}$



**Fig. 14** - Typ. Switching Time vs.  $I_C$   
 $T_J = 125^\circ\text{C}$ ;  $L=200\mu\text{H}$ ;  $V_{CE}= 600\text{V}$   
 $R_G= 4.7\Omega$ ;  $V_{GE}= 15\text{V}$

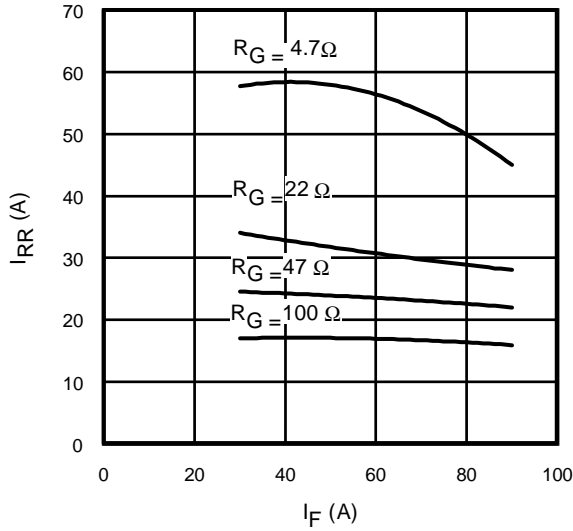


**Fig. 15** - Typ. Energy Loss vs.  $R_G$   
 $T_J = 125^\circ\text{C}$ ;  $L=200\mu\text{H}$ ;  $V_{CE}= 600\text{V}$   
 $I_{CE}= 60\text{A}$ ;  $V_{GE}= 15\text{V}$

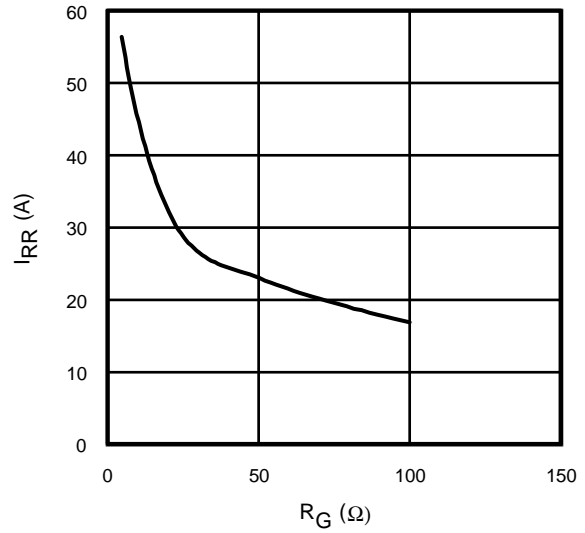


**Fig. 16** - Typ. Switching Time vs.  $R_G$   
 $T_J = 125^\circ\text{C}$ ;  $L=200\mu\text{H}$ ;  $V_{CE}= 600\text{V}$   
 $I_{CE}= 60\text{A}$ ;  $V_{GE}= 15\text{V}$

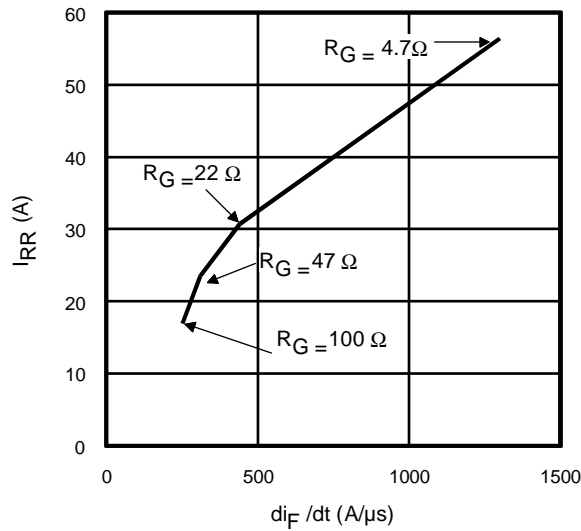
# IRGPS60B120KDP



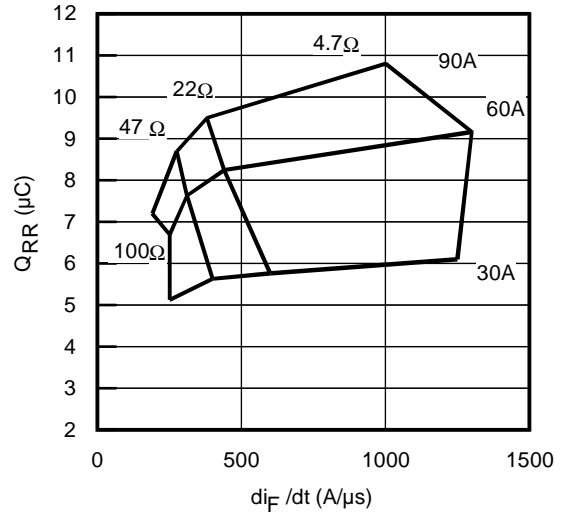
**Fig. 17** - Typical Diode  $I_{RR}$  vs.  $I_F$   
 $T_J = 125^\circ\text{C}$



**Fig. 18** - Typical Diode  $I_{RR}$  vs.  $R_G$   
 $T_J = 125^\circ\text{C}; I_F = 60\text{A}$

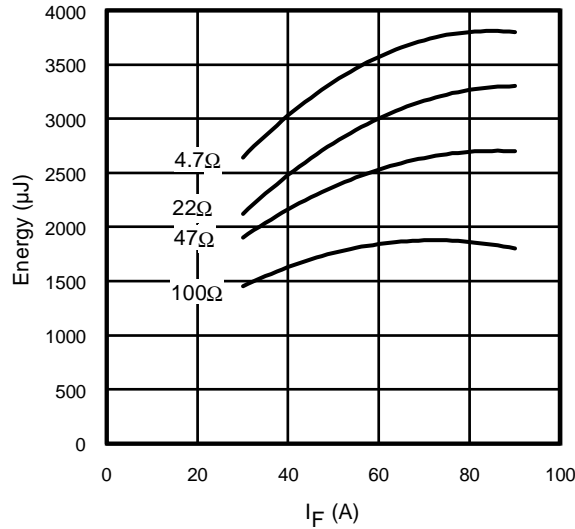


**Fig. 19**- Typical Diode  $I_{RR}$  vs.  $di_F/dt$   
 $V_{CC} = 600\text{V}; V_{GE} = 15\text{V};$   
 $I_{CE} = 60\text{A}; T_J = 125^\circ\text{C}$

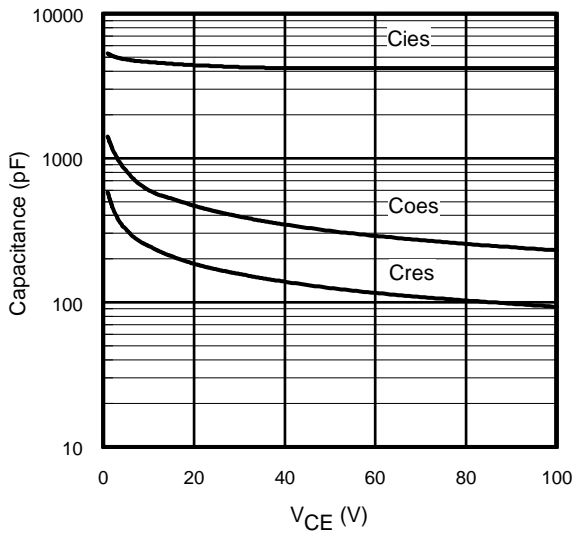


**Fig. 20** - Typical Diode  $Q_{RR}$   
 $V_{CC} = 600\text{V}; V_{GE} = 15\text{V}; T_J = 125^\circ\text{C}$

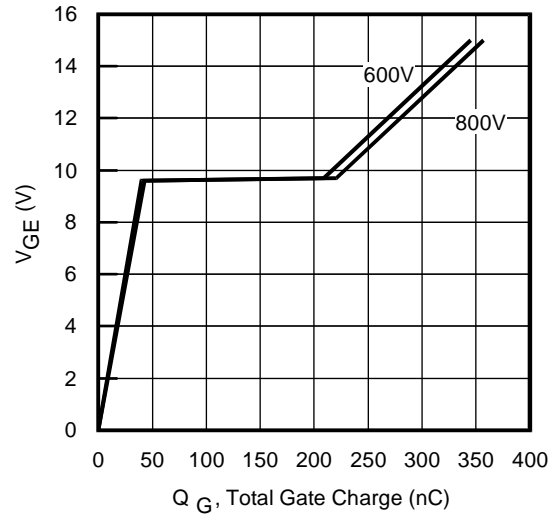
# IRGPS60B120KDP



**Fig. 21** - Typical Diode  $E_{RR}$  vs.  $I_F$   
 $T_J = 125^\circ\text{C}$



**Fig. 22**- Typ. Capacitance vs.  $V_{CE}$   
 $V_{GE} = 0\text{V}$ ;  $f = 1\text{MHz}$



**Fig. 23** - Typical Gate Charge vs.  $V_{GE}$   
 $I_{CE} = 60\text{A}$ ;  $L = 600\mu\text{H}$



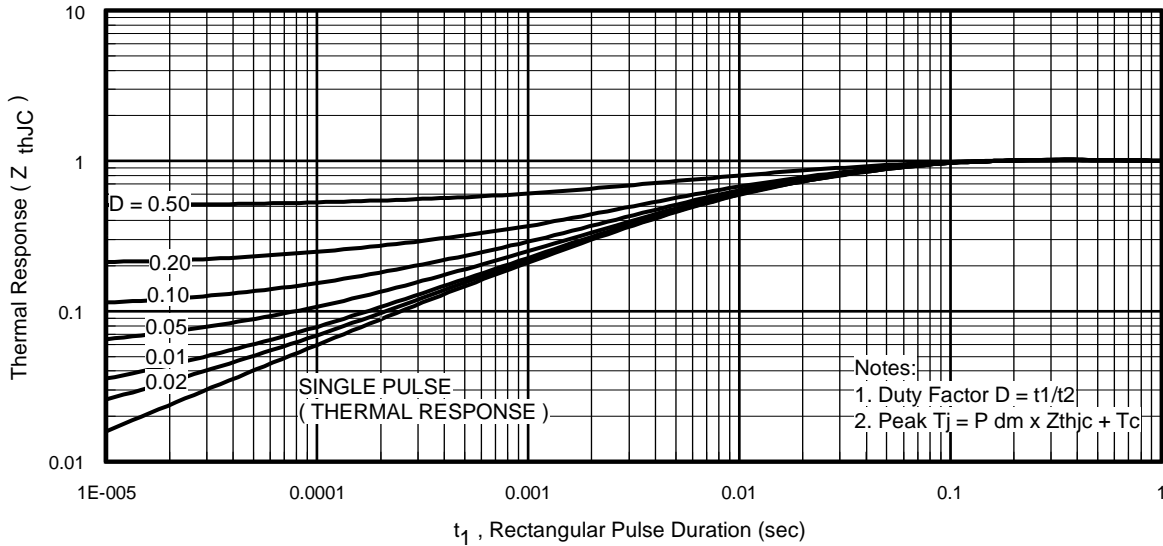


Fig 24. Normalized Transient Thermal Impedance, Junction-to-Case (IGBT)

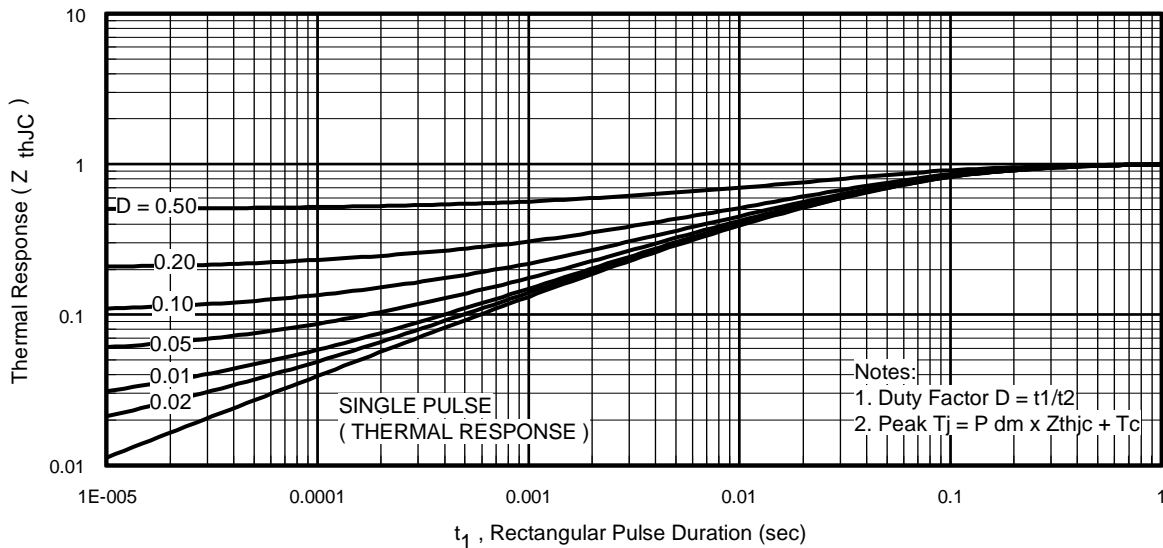
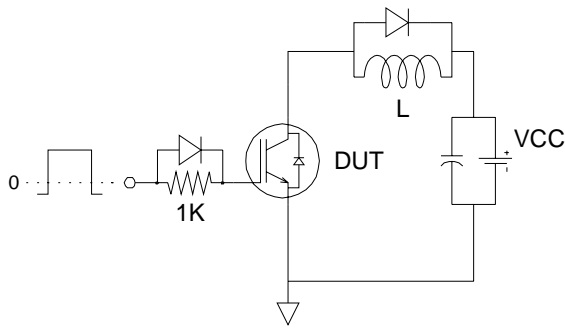
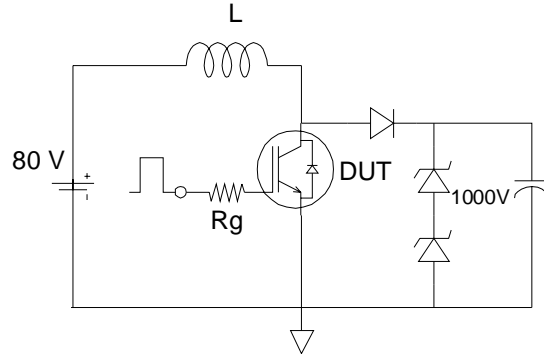


Fig 25. Normalized Transient Thermal Impedance, Junction-to-Case (DIODE)

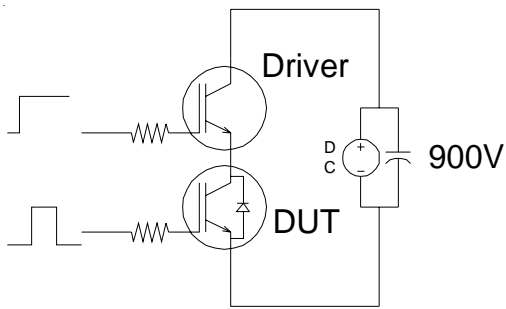
# IRGPS60B120KDP



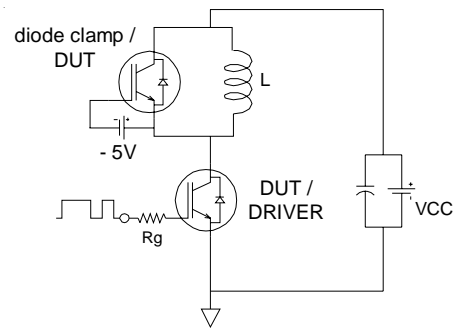
**Fig.C.T.1** - Gate Charge Circuit (turn-on)



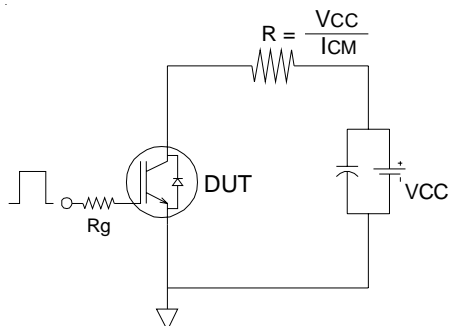
**Fig.C.T.2** - RBSOA Circuit



**Fig.C.T.3** - RBSOA Circuit



**Fig.C.T.4** - RBSOA Circuit



**Fig.C.T.5** - RBSOA Circuit

# IRGPS60B120KDP

Fig. WF1 - Typ. Turn-off Loss Waveform  
@  $T_j=125^\circ\text{C}$  using Fig. CT.4

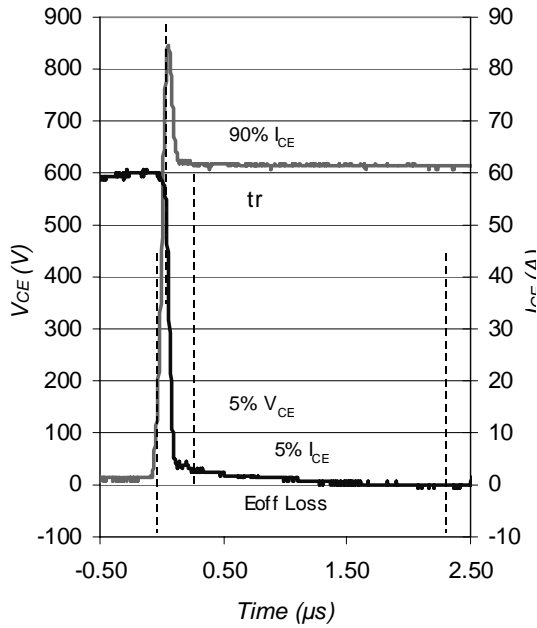


Fig. WF2 - Typ. Turn-On Loss Waveform  
@  $T_j=125^\circ\text{C}$  using Fig. CT.4

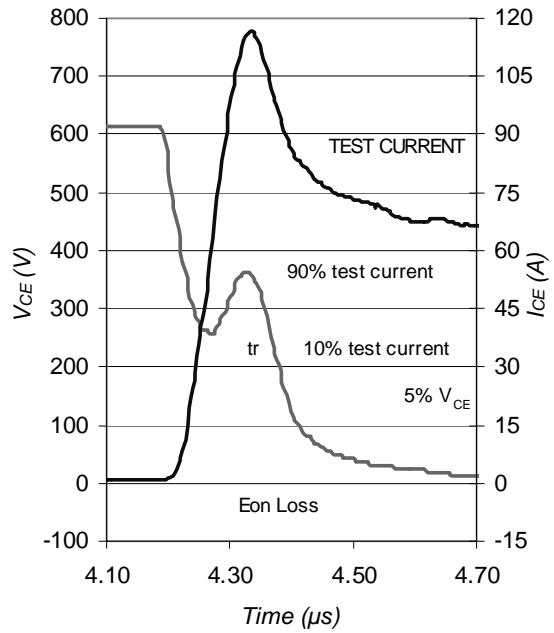


Fig. WF.3 - Typ. Diode Recovery  
Waveform  
@  $T_j=125^\circ\text{C}$  using Fig. CT.4

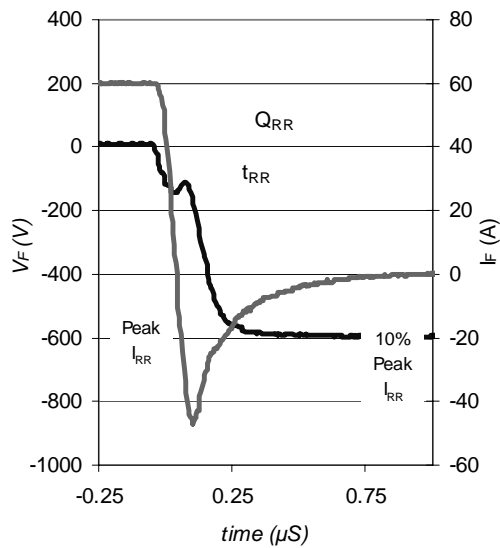
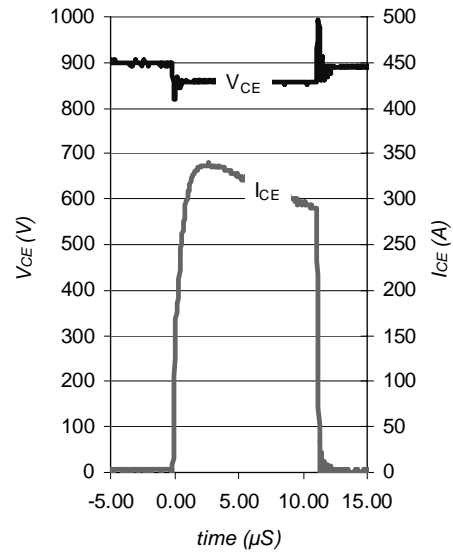


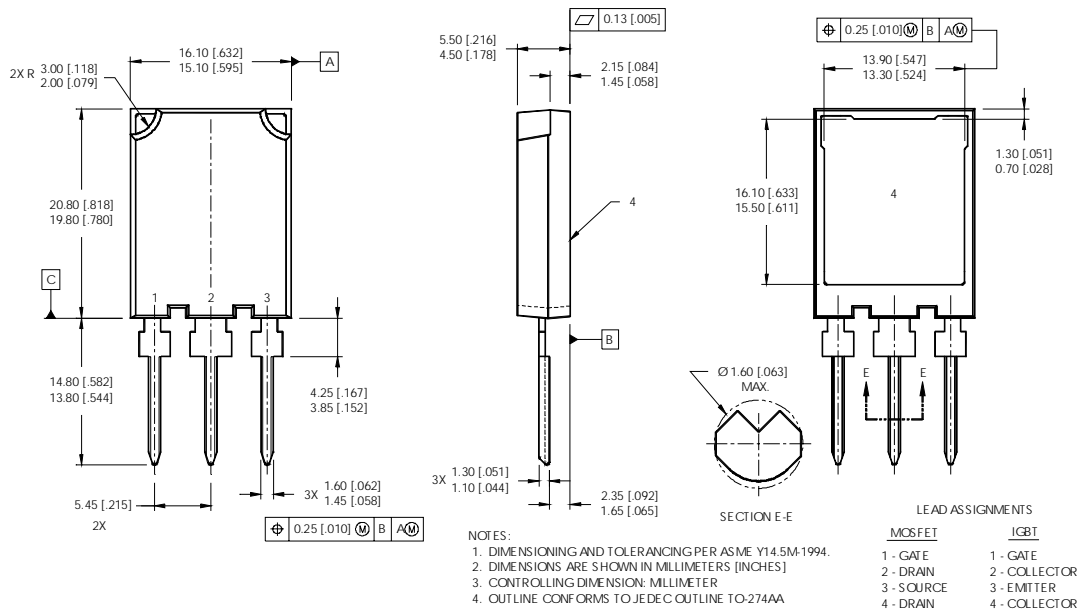
Fig. WF.4 - Typ. S.C. Waveform  
@  $TC=150^\circ\text{C}$  using Fig. CT.3



# IRGPS60B120KDP

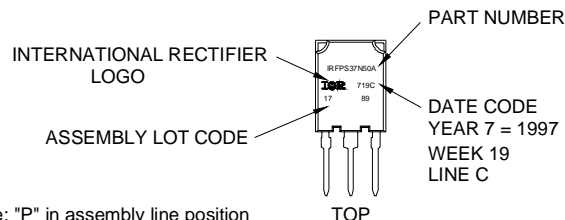
## Super-247™ Package Outline

International  
**IR** Rectifier



## Super-247 (TO-274AA) Part Marking Information

EXAMPLE: THIS IS AN IRFPS37N50A WITH  
ASSEMBLY LOT CODE 1789  
ASSEMBLED ON WW 19, 1997  
IN THE ASSEMBLY LINE "C"



### Notes:

- $V_{CC} = 80\% (V_{CES})$ ,  $V_{GE} = 20V$ ,  $L = 100 \mu H$ ,  $R_G = 4.7\Omega$ .
- Calculated continuous current based on maximum allowable junction temperature. Package limitation current is 105A.

Data and specifications subject to change without notice.  
This product has been designed and qualified for the industrial market.  
Qualification Standards can be found on IR's Web site.

International  
**IR** Rectifier

**IR WORLD HEADQUARTERS:** 233 Kansas St., El Segundo, California 90245, USA Tel: (310) 252-7105  
TAC Fax: (310) 252-7903

Visit us at [www.irf.com](http://www.irf.com) for sales contact information.09/04

[www.irf.com](http://www.irf.com)