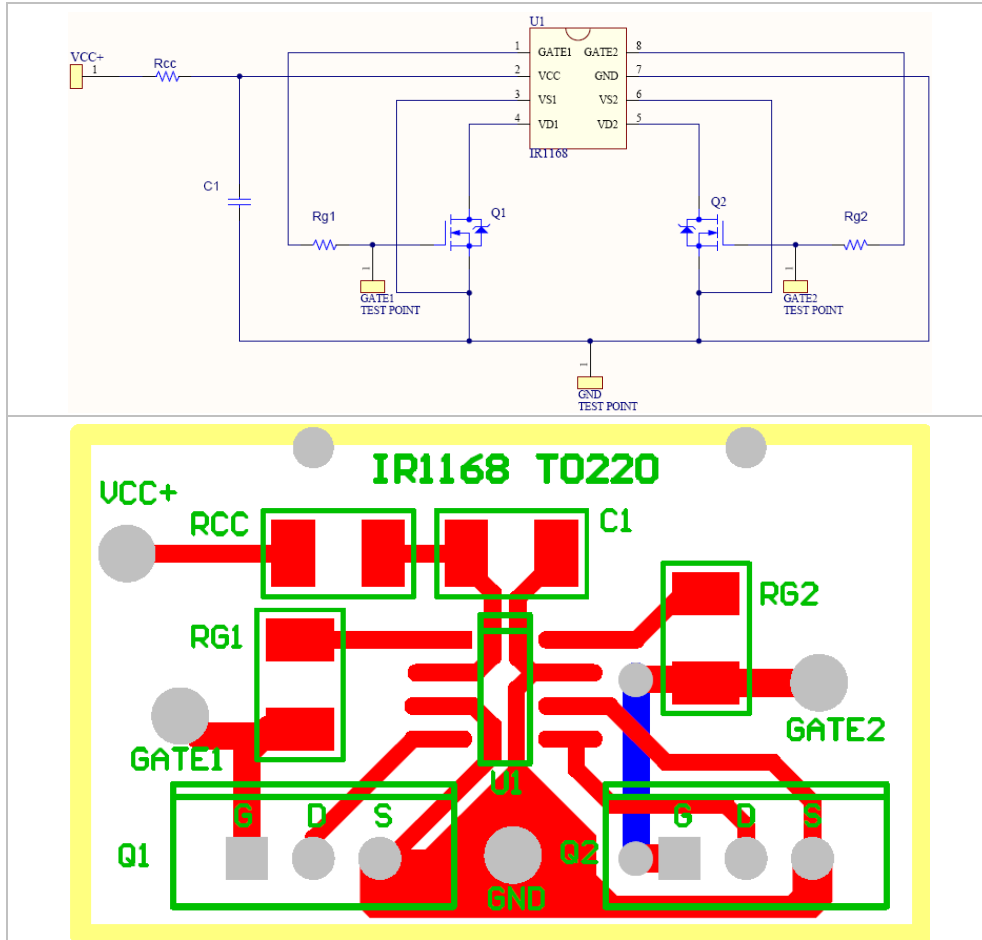


IRS1168 TO220 Daughter Card

The schematic and PCB layout for the 7 pin daughter board is shown below.



The daughter card shown above is designed to allow easy retrofit in existing systems with minimal system changes.

