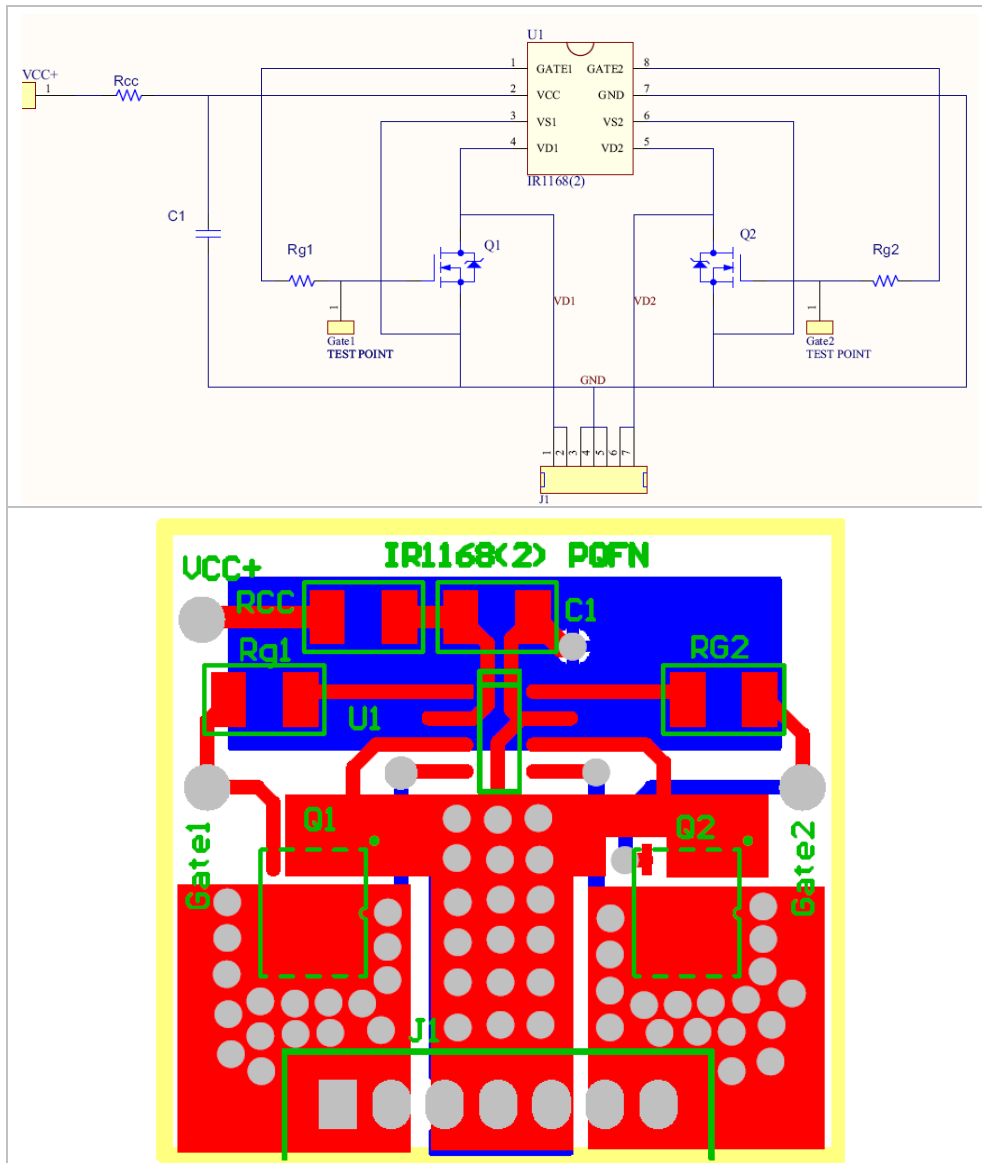


IRS1168, IRS11682 PQFN Daughter Card

The schematic and PCB layout for the 7 pin daughter board is shown below.



The daughter card shown above is designed to allow easy retrofit in existing systems with minimal system changes. This PQFN daughter card can carry 10A output current with 8mΩ R_{dson} MOSFET.