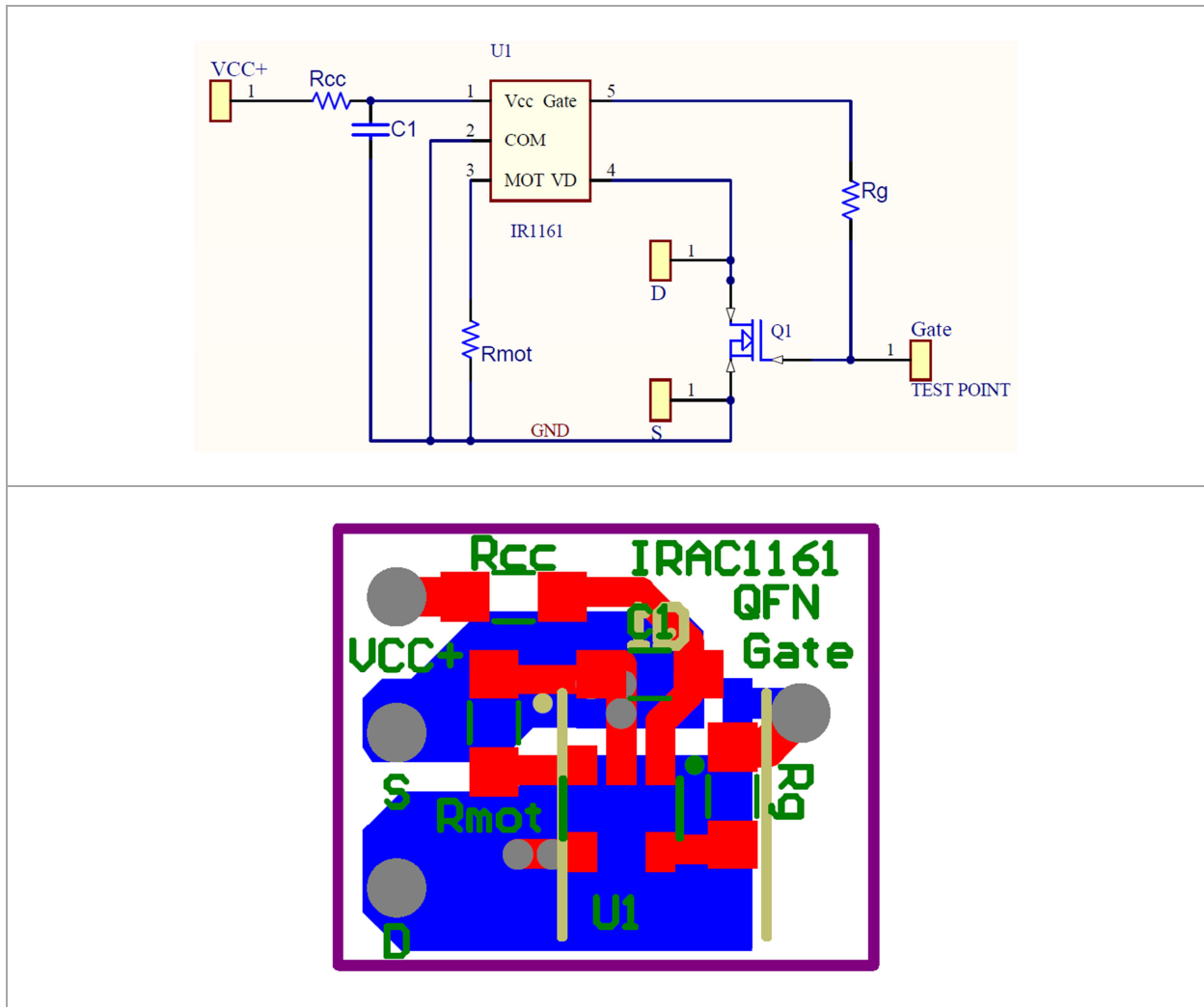


## IR1161 QFN Daughter Card

### IRAC1161-QFN

The schematic and PCB layout of the QFN daughter board are shown below



The daughter card shown above is designed to allow easy retrofit in existing systems with minimal system changes. The component values are recommended but user has freedom to change them per application requirement.

MOT $\approx$ 1 $\mu$ s at 47k $\Omega$  Rmot. This resistor can be changed per application requirement.

Rcc	10 $\Omega$
C1	1 $\mu$ F
RMOT	47k $\Omega$
Rg	1 $\Omega$
RVD	1 $\Omega$
CVD	N/C
Q1	N/C