

## Product Brief

# IR7xxxS 700 V HVIC family

## Rugged, reliable high-side & low-side and half-bridge drivers

The IR7xxxS family of HVICs is optimized for 700 V IGBTs or MOSFETs in applications such as solar, power supply, uninterruptible power supplies (UPS), welding and industrial power drives. The devices offer a higher breakdown voltage for enhanced reliability and performance.

IR7xxxS utilize our advanced High-Voltage Junction Isolation (HVJI) IC technology and latch immune CMOS technology to realize a rugged monolithic structure in compact 8-lead SOIC packages.

The 700 V HVIC family consists of three devices with full driver capability ranging from a typical output source and sink current of 60/130 mA to 1900/2300 mA. The devices are 3.3 V, 5 V, and 15 V logic compatible. VCC and VBS Undervoltage Lockout (UVLO) protection is a standard feature provided across the family. IR7304S & IR7184S provide integrated deadtime and shoot-through protection. IR7184S also features a shutdown input pin.

Compared to discrete optocoupler or transformer-based solutions, the IR7xxxS HVICs offer a simple, small and cost effective solution that significantly reduces a system's component count and board space while providing high performance and reliability.

The 700 V HVICs come in standard pin out configurations with various logic input options for high design flexibility and fast time to market.

### Applications

- > Appliance motor drives
- > Servo drives
- > Micro inverter drives
- > General purpose three phase inverters
- > Lighting
- > Induction cookers/heating

### Product features

- > 60/130 mA to 1900/2300 mA typ source/sink current
- > 40/20 ns to 200/100 ns typ turn-on rise and turn-off fall time
- > Less than 50 ns delay matching time
- > VCC & VBS Undervoltage Lockout (UVLO) protection
- > Deadtime & cross-conduction prevention logic (IR7304S & IR7184S)
- > Fully operational to +700 V offset voltage
- > Tolerate to negative transient voltage, dV/dt immune
- > Low quiescent currents (IR7304 & IR7106)
- > Various input options
- > Standard pin-out and packages

### Benefits

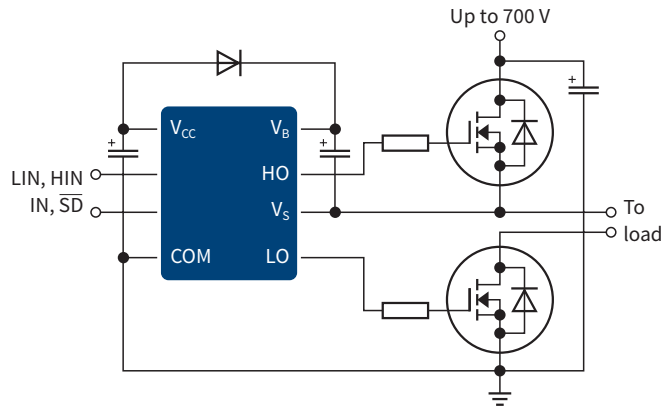
- > High power efficiency
- > Fast & reliable switching
- > Protection under abnormal operation
- > Increased device reliability & robustness
- > Low-cost bootstrap power supply
- > BOM savings
- > Easy-to-use, straightforward design
- > Fast time to market



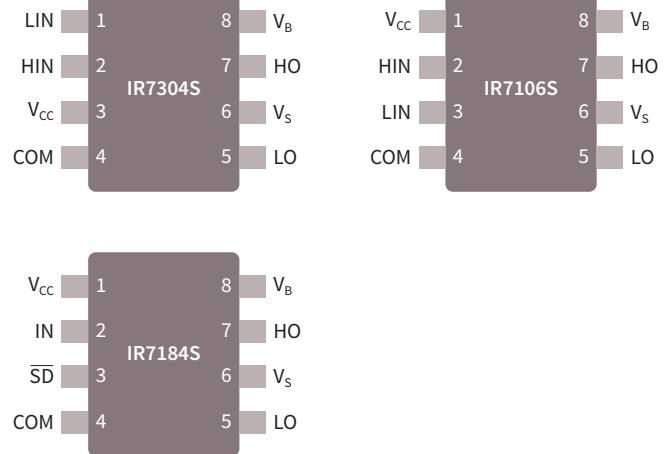
# IR7xxxS family

Rugged, reliable 700 V High-Voltage ICs (HVIC)

## Typical connection diagram



## Pin configurations



## Product portfolio

Part number	Voltage class [V]	Channels	Source/sink current (typ) [mA]	Typ. propagation delay		Control inputs	UVLO (typ) [V]	Package	MSL
				[ns] On	Off				
IR7304S	700	2	60/130	220	220	LIN, HIN	8.2-8.9	8-lead SOIC	2
IR7106S	700	2	200/350	220	200	LIN, HIN	8.2-8.9	8-lead SOIC	2
IR7184S	700	2	1900/2300	680	270	IN, $\overline{SD}$	8.2-8.9	8-lead SOIC	2

Published by  
Infineon Technologies AG  
85579 Neubiberg, Germany

© 2015 Infineon Technologies AG.  
All Rights Reserved.

### Please note!

THIS DOCUMENT IS FOR INFORMATION PURPOSES ONLY AND ANY INFORMATION GIVEN HEREIN SHALL IN NO EVENT BE REGARDED AS A WARRANTY, GUARANTEE OR DESCRIPTION OF ANY FUNCTIONALITY, CONDITIONS AND/OR QUALITY OF OUR PRODUCTS OR ANY SUITABILITY FOR A PARTICULAR PURPOSE. WITH REGARD TO THE TECHNICAL SPECIFICATIONS OF OUR PRODUCTS, WE KINDLY ASK YOU TO REFER TO THE RELEVANT PRODUCT DATA SHEETS PROVIDED BY US. OUR CUSTOMERS AND THEIR TECHNICAL DEPARTMENTS ARE REQUIRED TO EVALUATE THE SUITABILITY OF OUR PRODUCTS FOR THE INTENDED APPLICATION.

WE RESERVE THE RIGHT TO CHANGE THIS DOCUMENT AND/OR THE INFORMATION GIVEN HEREIN AT ANY TIME.

### Additional information

For further information on technologies, our products, the application of our products, delivery terms and conditions and/or prices please contact your nearest Infineon Technologies office ([www.infineon.com](http://www.infineon.com)).

### Warnings

Due to technical requirements, our products may contain dangerous substances. For information on the types in question please contact your nearest Infineon Technologies office.

Except as otherwise explicitly approved by us in a written document signed by authorized representatives of Infineon Technologies, our products may not be used in any life endangering applications, including but not limited to medical, nuclear, military, life critical or any other applications where a failure of the product or any consequences of the use thereof can result in personal injury.