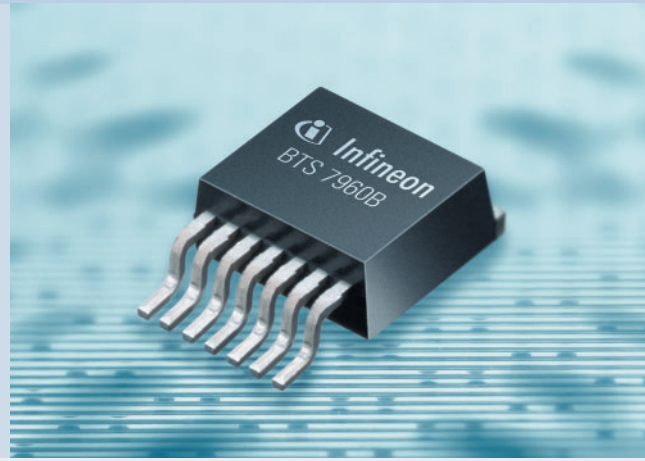


# BTS 7960B

High Current PN Half Bridge  
NovalithIC™



THE BTS 7960B is a fully integrated high current half bridge for motor drive applications. It is part of the NovalithIC™ family containing one p-channel highside MOSFET and one n-channel lowside MOSFET with an integrated driver IC in one package. The power switches utilize vertical MOS technologies to ensure optimum on state resistance. Due to the p-channel highside switch the need for a charge pump is eliminated thus minimizing EMI. Interfacing to a microcontroller is made easy by the integrated driver IC which features logic level inputs, diagnosis with current sense, slew rate adjustment, dead time generation and protection against overtemperature, overvoltage, undervoltage, overcurrent and short circuit.

THE BTS 7960B provides a cost optimized solution for protected high current PWM motor drives with very low board space consumption.

## Applications

High current DC- or brushless DC (BLDC) motor drives for use in applications like

- Power Windows
- Sun Roof
- Central Door Lock
- Seat Positioning
- Wiper
- Washer Pump
- 4 Wheel Transfer Case
- Electronically Controlled Manual Transmission (ECMT)
- Cooling Fan

## Features

- High peak current capability of min. 33 A
- Path resistance of typ. 16 mΩ@ 25°C
- Low quiescent current of typ. 7 μA@ 25°C
- PWM capability of up to 25 kHz with active freewheeling
- Switched mode current limitation for reduced power dissipation in overcurrent
- Status flag diagnosis with current sense capability
- Overtemperature shut down with latch behaviour
- Overvoltage and undervoltage shut down
- Driver circuit with logic level inputs
- Adjustable slew rates for optimized EMI

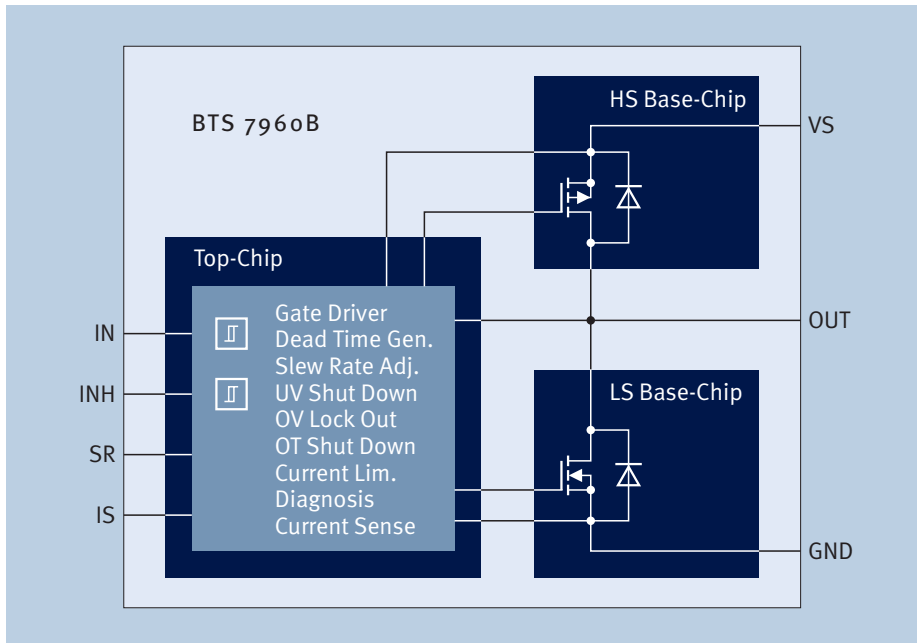
[www.infineon.com/bridges](http://www.infineon.com/bridges)

Automotive Power



Never stop thinking.

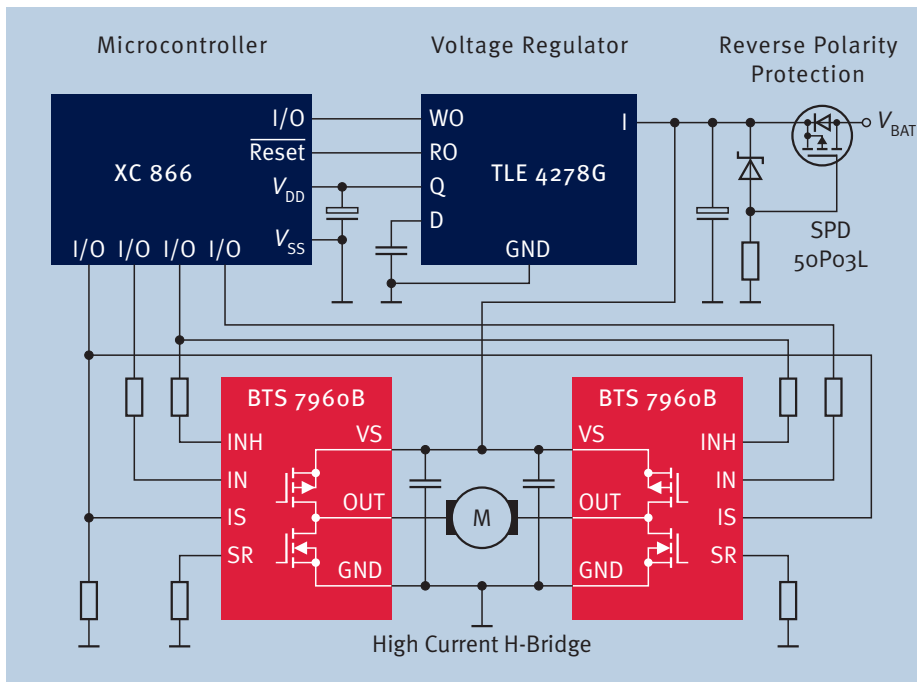
## Block Diagram



## Product Summary

Type	Sales Code	Description	Package
BTS 7960B	Q67060-S6160	High Current PN Half Bridge	P-TO263-7-6

## Application Example



How to reach us:  
<http://www.infineon.com>

Published by  
**Infineon Technologies AG**  
 St.-Martin-Strasse 53  
 81669 München

© Infineon Technologies AG 17. August 2005.  
 All Rights Reserved.

Template: pb\_tmplt.fm/4

### Attention please!

The information herein is given to describe certain components and shall not be considered as a guarantee of characteristics. Terms of delivery and rights to technical change reserved.

We hereby disclaim any and all warranties, including but not limited to warranties of non-infringement, regarding circuits, descriptions and charts stated herein.

### Information

For further information on technology, delivery terms and conditions and prices please contact your nearest Infineon Technologies Office.

### Warnings

Due to technical requirements components may contain dangerous substances. For information on the types in question please contact your nearest Infineon Technologies Office.

Infineon Technologies Components may only be used in life-support devices or systems with the express written approval of Infineon Technologies, if a failure of such components can reasonably be expected to cause the failure of that life-support device or system, or to affect the safety or effectiveness of that device or system. Life support devices or systems are intended to be implanted in the human body, or to support and/or maintain and sustain and/or protect human life. If they fail, it is reasonable to assume that the health of the user or other persons may be endangered.

Ordering No. B152-H8512-G1-X-7600  
 Printed in Germany  
 PS 08051. nb