

### Features

- Gate drive supply range from 6 V to 20 V
- CMOS Schmitt-triggered inputs
- 3.3V and 5V logic compatible
- Two independent gate drivers
- Matched propagation delay for both channels
- Outputs in phase with inputs
- Leadfree, RoHS compliant
- Automotive qualified\*

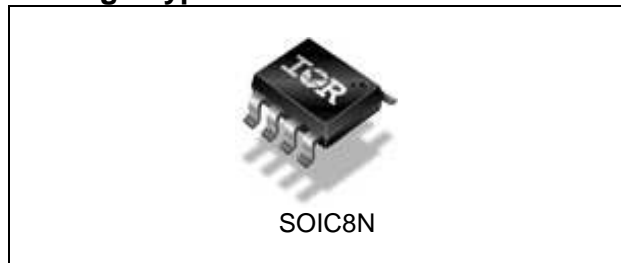
### Typical Applications

- Automotive General Purpose Dual Low Side Driver
- Automotive DC-DC converters
- Hybrid Power Train Drives
- Direct Fuel Injection

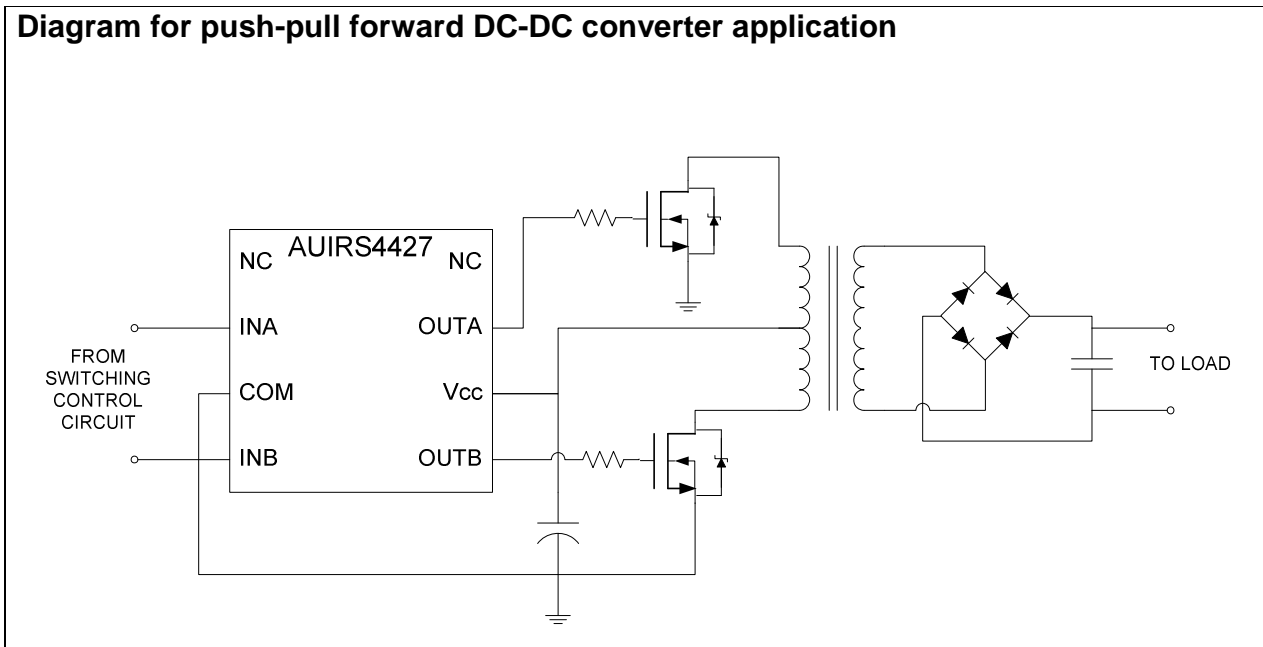
### Product Summary

Topology	General Driver
V <sub>OUT</sub>	6V - 20V
I <sub>o+</sub> & I <sub>o-</sub> (typical)	2.3A & 3.3A
t <sub>on</sub> & t <sub>off</sub> (typical)	50ns & 50ns

### Package Type



### Diagram for push-pull forward DC-DC converter application

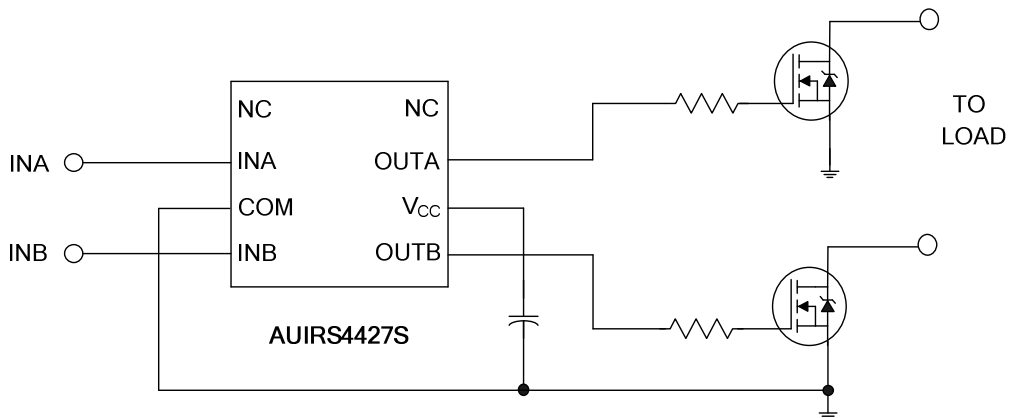


<b>Table of Contents</b>	<b>Page</b>
Diagram for push-pull forward dc-dc converter application	1
Description	3
Qualification Information	4
Absolute Maximum Ratings	5
Recommended Operating Conditions	5
Static Electrical Characteristics	6
Dynamic Electrical Characteristics	6
Functional Block Diagram	7
Input/Output Pin Equivalent Circuit Diagram	8
Lead Definitions	9
Lead Assignments	9
Application Information and Additional Details	10
Package Details: SOIC8	12
Package Details: SOIC8, Tape and Reel	13
Part Marking Information	14
Ordering Information	15
Important Notice	16

**Description**

The AUIRS4427S is a low voltage, high speed power MOSFET and IGBT driver. Proprietary latch immune CMOS technologies enable ruggedized monolithic construction. The logic input is compatible with standard CMOS or LSTTL output. The output drivers feature a high pulse current buffer stage designed for minimum driver cross-conduction. Propagation delays between two channels are matched.

**Typical Connection Diagram**



(Refer to Lead Assignments for correct pin configuration). This/These diagram(s) show electrical connections only. Please refer to our Application Notes and Design Tips for proper circuit board layout.

**Qualification Information<sup>†</sup>**

<b>Qualification Level</b>		Automotive (per AEC-Q100 <sup>††</sup> )	
		Comments: This family of ICs has passed an Automotive qualification. IR's Industrial and Consumer qualification level is granted by extension of the higher Automotive level.	
<b>Moisture Sensitivity Level</b>		SOIC8N	MSL3 <sup>†††</sup> 260°C (per IPC/JEDEC J-STD-020)
<b>ESD</b>	Machine Model	Class M3 (+/-200V) (per AEC-Q100-003)	
	Human Body Model	Class H3A (+/-4000V) (per AEC-Q100-002)	
	Charged Device Model	Class C5 (+/-1000V) (per AEC-Q100-011)	
<b>IC Latch-Up Test</b>		Class II, Level B (per AEC-Q100-004)	
<b>RoHS Compliant</b>		Yes	

† Qualification standards can be found at International Rectifier's web site <http://www.irf.com/>

†† Exceptions to AEC-Q100 requirements are noted in the qualification report.

††† Higher MSL ratings may be available for the specific package types listed here. Please contact your International Rectifier sales representative for further information.

**Absolute Maximum Ratings**

Absolute Maximum Ratings indicate sustained limits beyond which damage to the device may occur. All voltage parameters are absolute voltages referenced to COM. The thermal resistance and power dissipation ratings are measured under board mounted and still air conditions.

Symbol	Definition	Min	Max	Units
$V_{CC}$	Fixed supply voltage	-0.3	20	V
$V_O$	Output voltage	-0.3	$V_{CC} + 0.3$	
$V_{IN}$	Logic input voltage	-0.3	$V_{CC} + 0.3$	
$P_D$	Package power dissipation @ $T_A \leq 25^\circ\text{C}$	—	0.625	W
$R_{thJA}$	Thermal resistance, junction to ambient	—	200	$^\circ\text{C}/\text{W}$
$T_J$	Junction temperature	—	150	$^\circ\text{C}$
$T_S$	Storage temperature	-55	150	
$T_L$	Lead temperature (soldering, 10 seconds)	—	300	

**Recommended Operating Conditions**

For proper operation, the device should be used within the recommended conditions. All voltage parameters are absolute voltages referenced to COM unless otherwise stated in the table. The offset rating is tested with supply of  $V_{CC} = 15\text{V}$ .

Symbol	Definition	Min	Max	Units
$V_{CC}$	Fixed supply voltage	6	20	V
$V_O$	Output voltage	0	$V_{CC}$	
$V_{IN}$	Logic input voltage	0	$V_{CC}$	
$T_A$	Ambient temperature	-40	125	$^\circ\text{C}$

**Static Electrical Characteristics**

$V_{CC} = 15V$ ,  $T_A = 25^\circ C$  unless otherwise specified. The  $V_{IN}$  and  $I_{IN}$  parameters are referenced to COM and are applicable to input leads: INA and INB. The  $V_O$  and  $I_O$  parameters are referenced to COM and are applicable to the output leads: OUTA and OUTB.

Symbol	Definition	Min	Typ	Max	Units	Test Conditions
$V_{IH}$	Logic "1" input voltage	2.5	—	—	V	
$V_{IL}$	Logic "0" input voltage	—	—	0.8	V	
$V_{OH}$	High level output voltage, $V_{BIAS} - V_O$	—	—	1.4		$I_O = 0\text{ mA}$
$V_{OL}$	Low level output voltage, $V_O$	—	—	0.15		$I_O = 20\text{ mA}$
$I_{IN+}$	Logic "1" input bias current	—	5	15	$\mu A$	$V_{IN} = 5V$
$I_{IN-}$	Logic "0" input bias current	-30	-10	—		$V_{IN} = 0V$
$I_{QCC}$	Quiescent $V_{CC}$ supply current	—	100	200		$V_{IN} = 0V$ or $5V$
$I_{O+}$	Output high short circuit pulsed current <sup>(†)</sup>	1.5	2.3	—	A	$V_O = 0V$ , $V_{IN} = 5V$ $PW \leq 10\ \mu s$
$I_{O-}$	Output low short circuit pulsed current <sup>(†)</sup>	1.5	3.3	—		$V_O = 15V$ , $V_{IN} = COM$ $PW \leq 10\ \mu s$

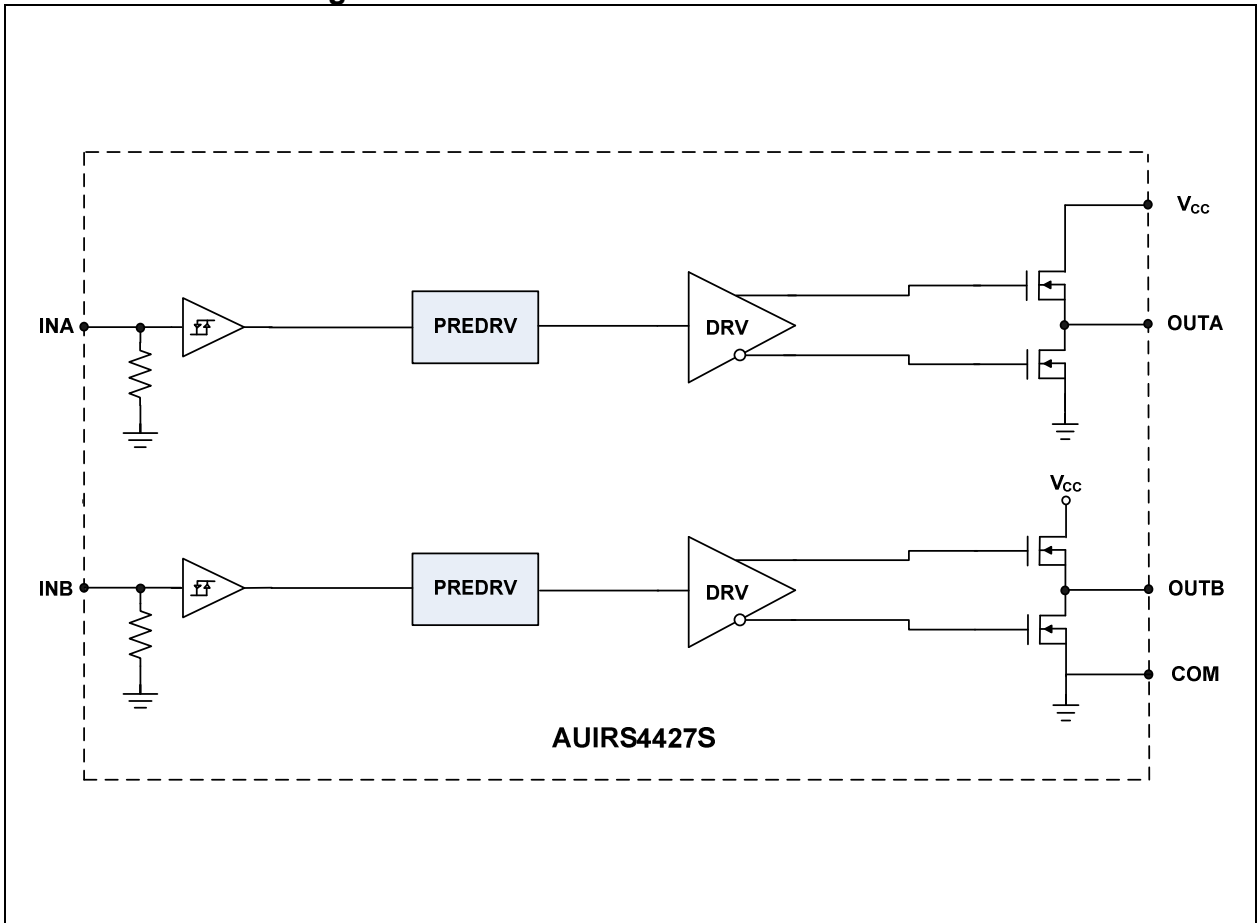
(†) Guaranteed by design

**Dynamic Electrical Characteristics**

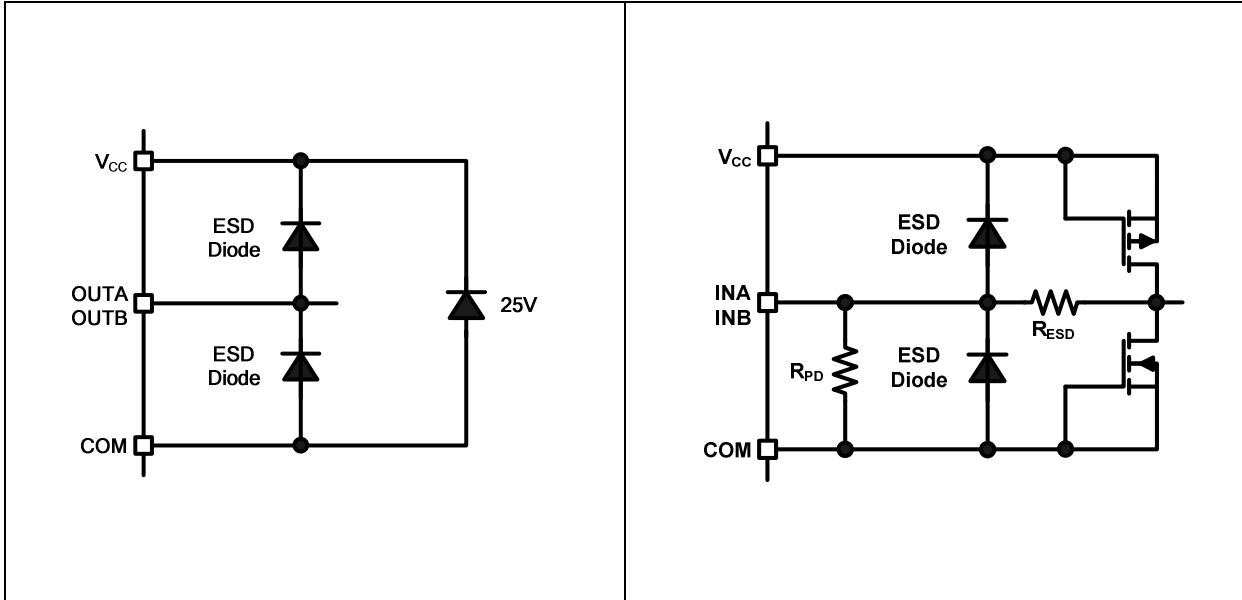
$V_{CC} = 15V$ ,  $T_A = 25^\circ C$ , and  $C_L = 1000pF$  unless otherwise specified.

Symbol	Definition	Min	Typ	Max	Units	Test Conditions
$t_{on}$	Turn-on propagation delay	—	50	95	ns	Figure 2
$t_{off}$	Turn-off propagation delay	—	50	95		
$t_r$	Turn-on rise time	—	25	55		
$t_f$	Turn-off fall time	—	25	55		

**Functional Block Diagram**



**Input/Output Pin Equivalent Circuit Diagrams**

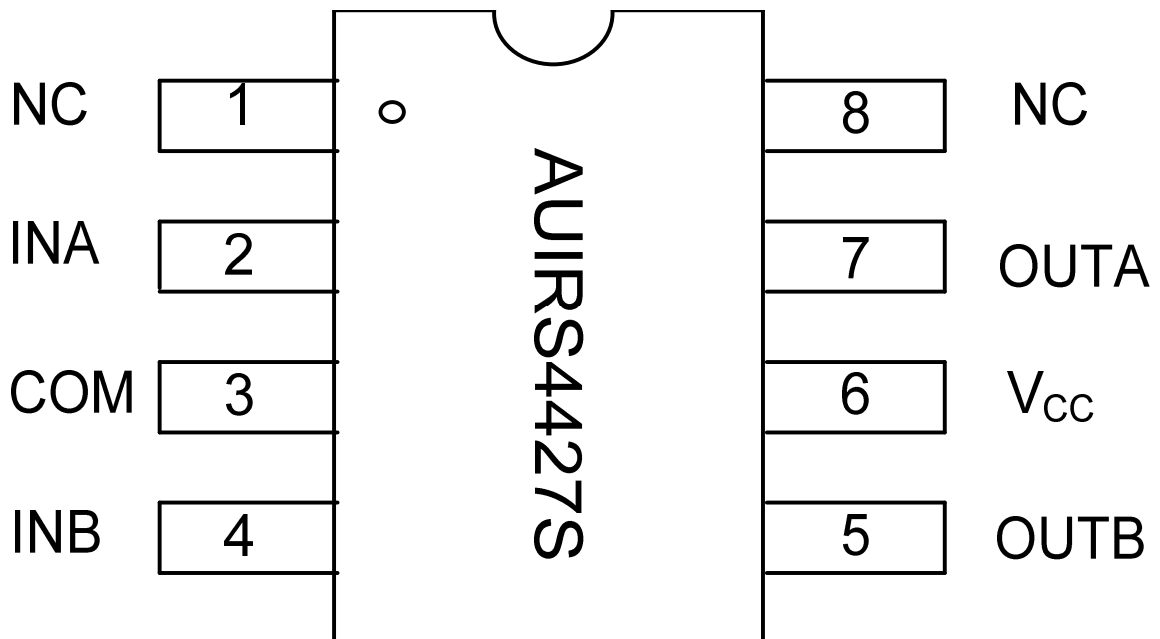




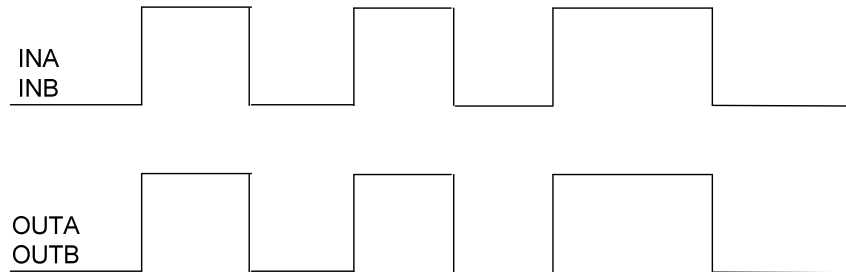
**Lead Definitions**

PIN	Symbol	Description
1	NC	No connection
2	INA	Logic input for gate driver output (OUTA), in phase
3	COM	Ground
4	INB	Logic input for gate driver output (OUTB), in phase
5	OUTB	Gate drive output B
6	V <sub>CC</sub>	Supply voltage
7	OUTA	Gate drive output A
8	NC	No connection

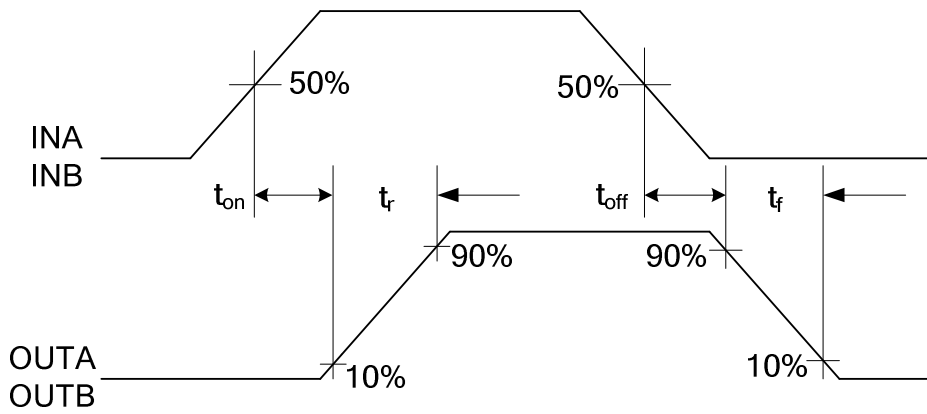
**Lead Assignments**



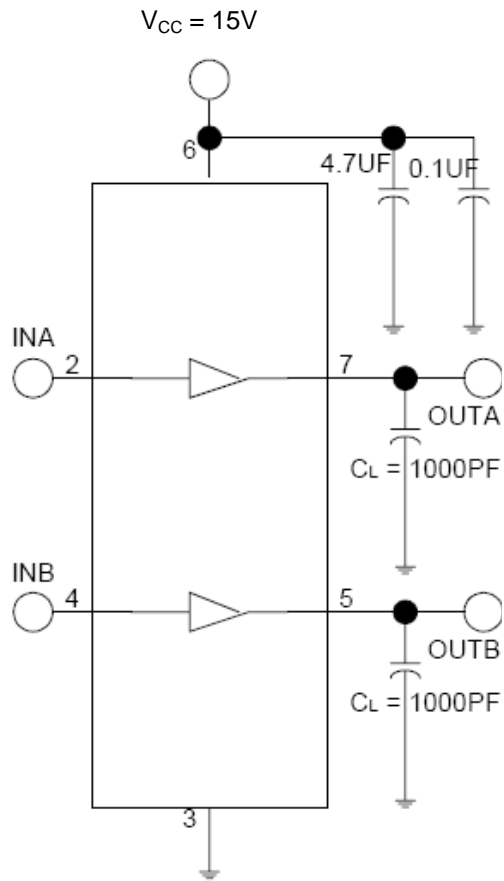
**Application Information and Additional Details**



**Figure 1: Input/output Timing Diagram**

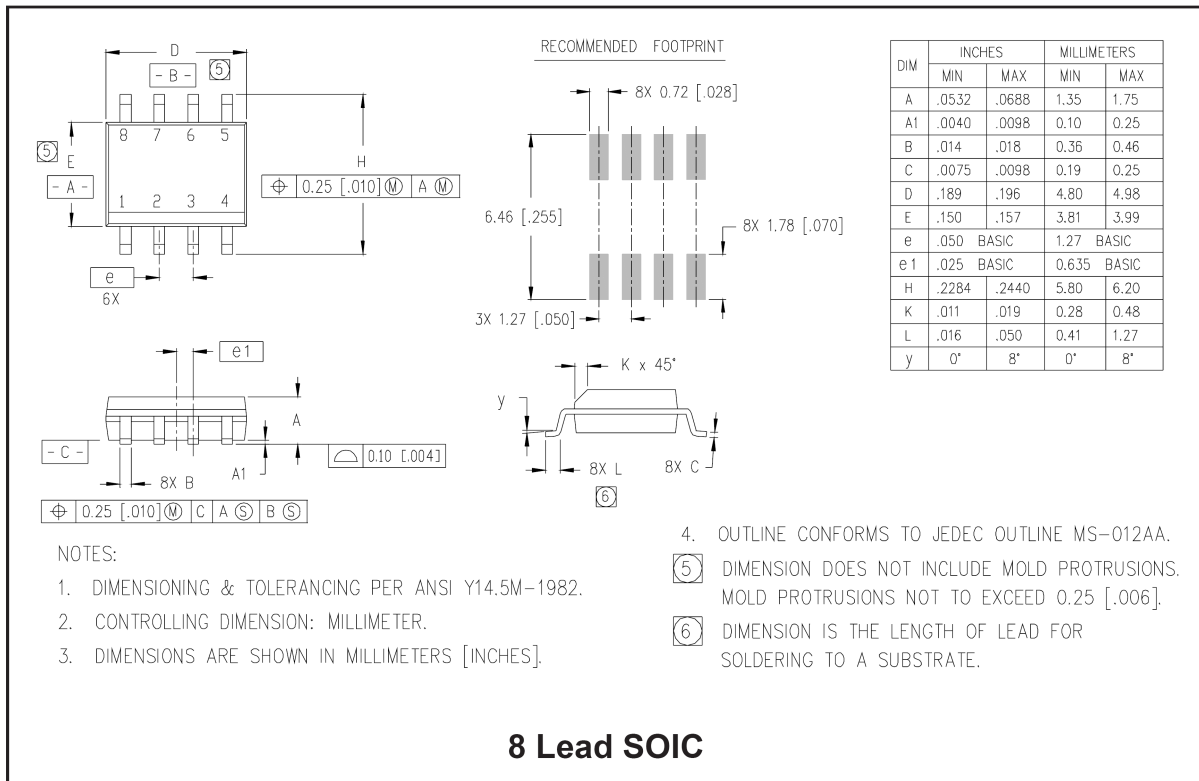


**Figure 2: Switching Time Waveform Definitions**



**Figure 3: Switching Time Test Circuit**

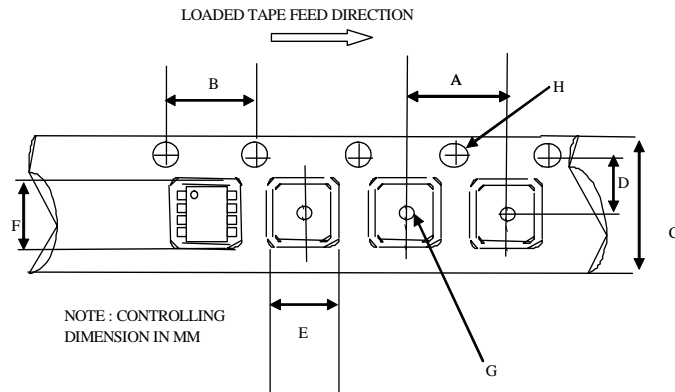
**Package Details, SOIC8N**



NOTES:

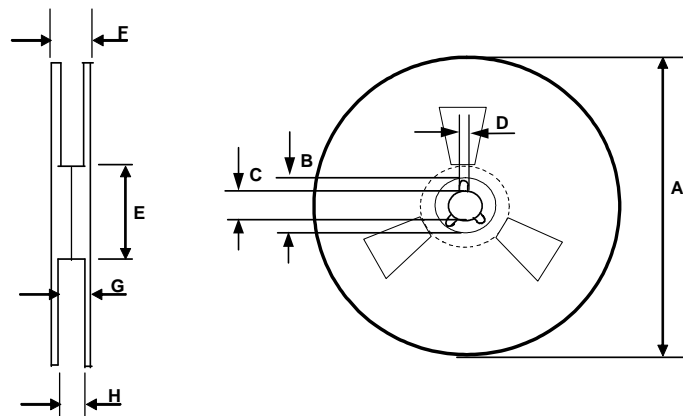
1. DIMENSIONING & TOLERANCING PER ANSI Y14.5M-1982.
2. CONTROLLING DIMENSION: MILLIMETER.
3. DIMENSIONS ARE SHOWN IN MILLIMETERS [INCHES].
4. OUTLINE CONFORMS TO JEDEC OUTLINE MS-012AA.
5. DIMENSION DOES NOT INCLUDE MOLD PROTRUSIONS. MOLD PROTRUSIONS NOT TO EXCEED 0.25 [.006].
6. DIMENSION IS THE LENGTH OF LEAD FOR SOLDERING TO A SUBSTRATE.

**Package details: SOIC8N, Tape and Reel**



CARRIER TAPE DIMENSION FOR 8SOICN

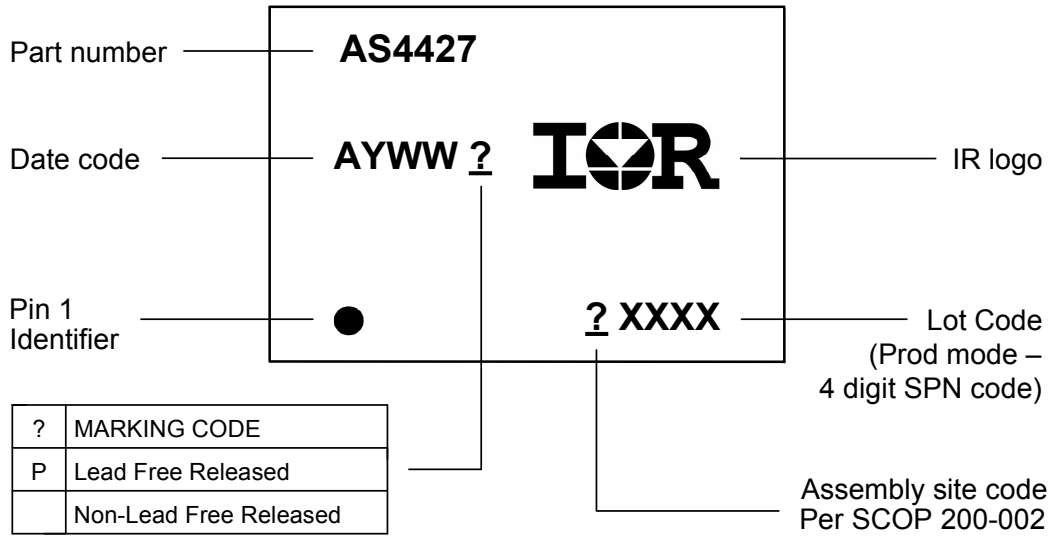
Code	Metric		Imperial	
	Min	Max	Min	Max
A	7.90	8.10	0.311	0.318
B	3.90	4.10	0.153	0.161
C	11.70	12.30	0.46	0.484
D	5.45	5.55	0.214	0.218
E	6.30	6.50	0.248	0.255
F	5.10	5.30	0.200	0.208
G	1.50	n/a	0.059	n/a
H	1.50	1.60	0.059	0.062



REEL DIMENSIONS FOR 8SOICN

Code	Metric		Imperial	
	Min	Max	Min	Max
A	329.60	330.25	12.976	13.001
B	20.95	21.45	0.824	0.844
C	12.80	13.20	0.503	0.519
D	1.95	2.45	0.767	0.096
E	98.00	102.00	3.858	4.015
F	n/a	18.40	n/a	0.724
G	14.50	17.10	0.570	0.673
H	12.40	14.40	0.488	0.566

**Part Marking Information**



**Ordering Information**

Base Part Number	Package Type	Standard Pack		Complete Part Number
		Form	Quantity	
AUIRS4427S	SOIC8N	Tube/Bulk	95	AUIRS4427S
		Tape and Reel	2500	AUIRS4427STR

## **IMPORTANT NOTICE**

Unless specifically designated for the automotive market, International Rectifier Corporation and its subsidiaries (IR) reserve the right to make corrections, modifications, enhancements, improvements, and other changes to its products and services at any time and to discontinue any product or services without notice. Part numbers designated with the "AU" prefix follow automotive industry and / or customer specific requirements with regards to product discontinuance and process change notification. All products are sold subject to IR's terms and conditions of sale supplied at the time of order acknowledgment.

IR warrants performance of its hardware products to the specifications applicable at the time of sale in accordance with IR's standard warranty. Testing and other quality control techniques are used to the extent IR deems necessary to support this warranty. Except where mandated by government requirements, testing of all parameters of each product is not necessarily performed.

IR assumes no liability for applications assistance or customer product design. Customers are responsible for their products and applications using IR components. To minimize the risks with customer products and applications, customers should provide adequate design and operating safeguards.

Reproduction of IR information in IR data books or data sheets is permissible only if reproduction is without alteration and is accompanied by all associated warranties, conditions, limitations, and notices. Reproduction of this information with alterations is an unfair and deceptive business practice. IR is not responsible or liable for such altered documentation. Information of third parties may be subject to additional restrictions.

Resale of IR products or serviced with statements different from or beyond the parameters stated by IR for that product or service voids all express and any implied warranties for the associated IR product or service and is an unfair and deceptive business practice. IR is not responsible or liable for any such statements.

IR products are not designed, intended, or authorized for use as components in systems intended for surgical implant into the body, or in other applications intended to support or sustain life, or in any other application in which the failure of the IR product could create a situation where personal injury or death may occur. Should Buyer purchase or use IR products for any such unintended or unauthorized application, Buyer shall indemnify and hold International Rectifier and its officers, employees, subsidiaries, affiliates, and distributors harmless against all claims, costs, damages, and expenses, and reasonable attorney fees arising out of, directly or indirectly, any claim of personal injury or death associated with such unintended or unauthorized use, even if such claim alleges that IR was negligent regarding the design or manufacture of the product.

IR products are neither designed nor intended for use in military/aerospace applications or environments unless the IR products are specifically designated by IR as military-grade or "enhanced plastic." Only products designated by IR as military-grade meet military specifications. Buyers acknowledge and agree that any such use of IR products which IR has not designated as military-grade is solely at the Buyer's risk, and that they are solely responsible for compliance with all legal and regulatory requirements in connection with such use.

IR products are neither designed nor intended for use in automotive applications or environments unless the specific IR products are designated by IR as compliant with ISO/TS 16949 requirements and bear a part number including the designation "AU". Buyers acknowledge and agree that, if they use any non-designated products in automotive applications, IR will not be responsible for any failure to meet such requirements.

For technical support, please contact IR's Technical Assistance Center  
<http://www.irf.com/technical-info/>

**WORLD HEADQUARTERS:**  
233 Kansas St., El Segundo, California 90245  
Tel: (310) 252-7105