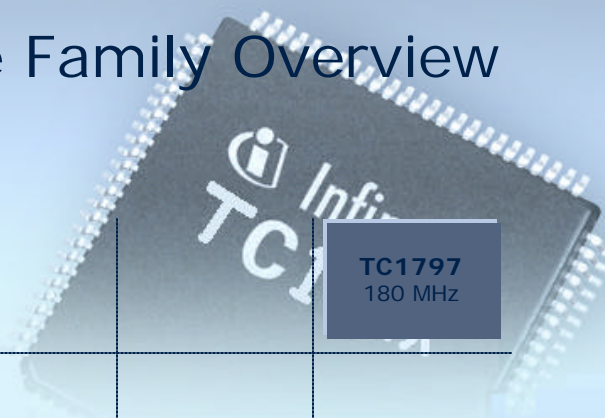


AUDO-NG/Future Family Overview

January 2010



4 MB				TC1797 180 MHz
3 MB	TC1768 133 MHz			
2 MB			TC1767 80/133 MHz	TC1796 150 MHz
1.5 MB	TC1766 80 MHz		TC1766 80 MHz	
1 MB		TC1736 80 MHz	TC1762 66/80 MHz	
	Bare Die	QFP 144	QFP 176	BGA 416

- AUDO NEXT GENERATION
- AUDO FUTURE

Feature Overview



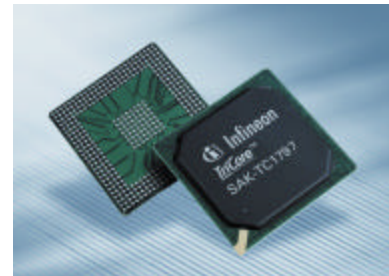
		TC1797	TC1767	TC1736	TC1768
Core	TC version	1.3.1	1.3.1	1.3.1	1.3.1
	Frequency	150 / 180 MHz	80 / 133 MHz	80 MHz	133 MHz
Flash	Program Flash	3 / 4 MB	2 MB	1 MB	3 MB
	Data Flash (w/e cycles)	64 KB (30k)	64 KB (30k)	32 KB (30k)	64 KB (up to 30k)
SRAM	Σ (w/o PCP, with Cache)	176 KB	104 KB	48 KB	136 KB
	PMI	40 KB	24 KB	8 KB	16 KB
	DMI	128 KB	72 KB	36 KB	112 KB
	Overlay	8 KB	8 KB	4 KB	8 KB
PCP (max. frequency)		180MHz	80 / 133MHz	-	133 MHz
DMA	Channels	16	8	8	16
ADC	Σ Analog Inputs	48	36	24	32
	ADC Channels	44	2 x 16	2	2 x 16
	FADC Channels	1 x 4	1 x 4	1	-
Timer	Σ Timed IO	Up to 118	Up to 80	Up to 53	tbd
	GPTA®	2 GPTA®	1 GPTA®	1 GPTA®	2 GPTA®
	LTC	1 LTC	1 LTC	-	-
Inter- faces	Flexray	2 channels	-	-	2 channels
	CAN	4 / 128	2 / 64	2 / 64	3 / 64
	SSC / ASC	2 / 2	2 / 2	2 / 2	2 / 2
	MLI / MSC	2 / 2	1 / 1	1 / 1	- / -
	SENT	-	-	-	-
	EBU	32-bit	-	-	-
Package		P/PG-BGA-416	PG-QFP-176	PG-QFP-144	Bare Die
Temperatur (T_{ambient}) packaged		- 40°C to +125°C	- 40°C to +125°C	- 40°C to +125°C	-
Max. Temperatur (T_{junction}) Bare Die			-	-	150°C 160°C w/ funct. Limitations

TC1797

High End Powertrain Microcontroller

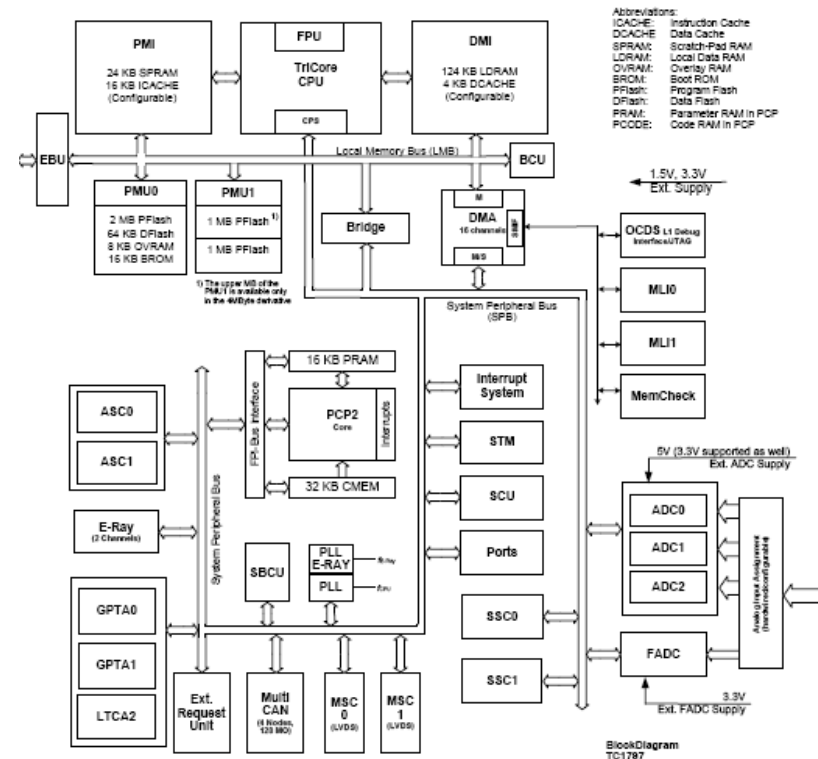


		TC1797
Core	TC version	1.3.1
	Frequency	150 / 180 MHz
Flash	Program Flash	3 / 4 MB
	Data Flash (w/e cycles)	64 KB (30k)
SRAM	Σ (w/o PCP, with cache)	176 KB
	PMI	40 KB
	DMI	128 KB
	Overlay	8 KB
PCP (max. frequency)		180MHz
DMA	Channels	16
ADC	Σ Analog Inputs	48
	ADC Channels	44
	FADC Channels	1 x 4
Timer	Σ Timed IO	Up to 118
	GPTA®	2 GPTA®
	LTC	1 LTC
Inter- faces	Flexray	2 channels
	CAN	4 / 128
	SSC / ASC	2 / 2
	MLI / MSC	2 / 2
	SENT	-
	EBU	32-bit
Package		P/PG-BGA-416
Temperatur (T_{ambient}) packaged		- 40°C to +125°C



Schedule

- Qualified samples available



TC1767

Mid-range Powertrain Microcontroller

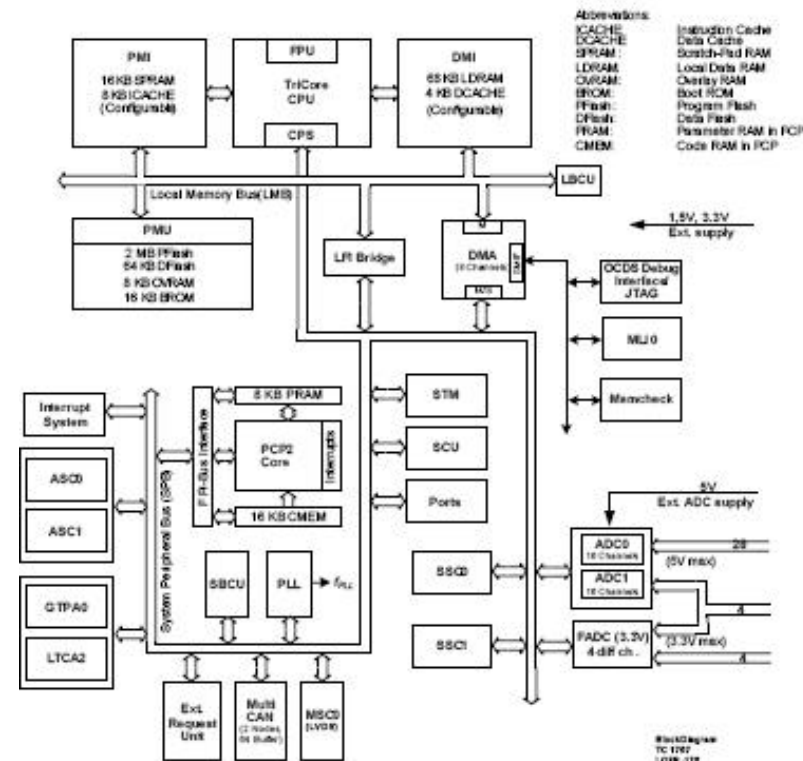


		TC1767
Core	TC version	1.3.1
	Frequency	80 / 133 MHz
Flash	Program Flash	2 MB
	Data Flash (w/e cycles)	64 KB (30k)
SRAM	Σ (w/o PCP, with Cache)	104 KB
	PMI	24 KB
	DMI	72 KB
	Overlay	8 KB
PCP (max. frequency)		80 / 133MHz
DMA	Channels	8
ADC	Σ Analog Inputs	36
	ADC Channels	2 x 16
	FADC Channels	1 x 4
Timer	Σ Timed IO	Up to 80
	GPTA®	1 GPTA®
	LTC	1 LTC
Inter-faces	Flexray	-
	CAN	2 / 64
	SSC / ASC	2 / 2
	MLI / MSC	1 / 1
	SENT	-
	EBU	-
Package		PG-QFP-176
Temperatur (T _{ambient}) packaged		- 40°C to +125°C
Max. Temperatur (T _{Junction}) Bare Die		-



Schedule

- Qualified samples available



TC1736

Low End Powertrain Microcontroller

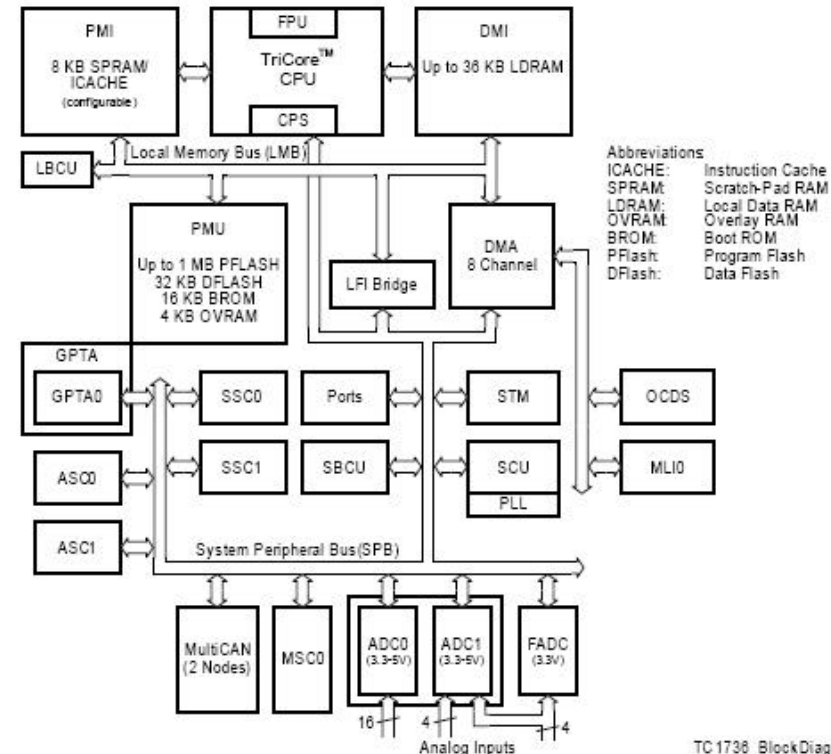


		TC1736
Core	TC version	1.3.1
	Frequency	80 MHz
Flash	Program Flash	1 MB
	Data Flash (w/e cycles)	32 KB (30k)
SRAM	Σ (w/o PCP, with Cache)	48 KB
	PMI	8 KB
	DMI	36 KB
	Overlay	4 KB
PCP (max. frequency)		-
DMA	Channels	8
ADC	Σ Analog Inputs	24
	ADC Channels	1 x 16, 1x 4
	FADC Channels	4
Timer	Σ Timed IO	Up to 53
	GPTA®	1 GPTA®
	LTC	-
Inter- faces	Flexray	-
	CAN	2 / 64
	SSC / ASC	2 / 2
	MLI / MSC	1 / 1
	SENT	-
	EBU	-
	Package	
Temperatur (T_{ambient}) packaged		- 40°C to +125°C
Max. Temperatur (T_{junction}) Bare Die		-



Schedule

- Samples available



TC1736_BlockDiag

TC1768

Transmission Microcontroller



		TC1768
Core	TC version	1.3.1
	Frequency	133 MHz
Flash	Program Flash	3 MB
	Data Flash (w/e cycles)	64 KB (30k)
SRAM	Σ (w/o PCP, Cache)	136 KB
	PMI	16 KB
	DMI	112 KB
	Overlay	8 KB
PCP (max. frequency)		133 MHz
DMA	Channels	16
ADC	Σ Analog Inputs	32
	ADC Channels	2 x 16
	FADC Channels	-
Timer	Σ Timed IO	tbd
	GPTA®	2 GPTA®
	LTC	-
Inter- faces	Flexray	2 channels
	CAN	3 / 64
	SSC / ASC	2 / 2
	MLI / MSC	- / -
	SENT	-
	EBU	-
Package		Bare Die
Temperatur (T_{ambient}) packaged		-
Max. Temperatur (T_{Junction}) Bare Die		150°C 160°C w/ funct. Limitations

Schedule

- ES: Jan 10
- QS: Q4 2010