

Application Note AN-1062

IRPLMB1E - 25W 230VAC Small Size Ballast Using IR2520D

By Cecilia Contenti

Table of Contents

	Page
Overview	1
Features	2
Electrical Characteristics	2
IR2520D Ballast Control IC	2
Circuit Description	3
Miniballast 1 Bill of Materials	4
Functional Description	5
Fault Conditions	6
Open Filaments Protection.....	7
Low AC Line Protection	8
Miniballast Layout	9
Design Tip: Auto Restart Option.....	11
Different Procedure to Adapt the Design.....	12

Small sizes ballasts (often called Matchbox ballasts) are becoming very common in Europe to drive a wide range of lamps with power between 18W and 26W like PLC 18W, PLT 18W, TC-L 18W, TC-L 24W, TC-F 18W, TC-F 24W, TC-DEL/TEL 26W, T5 24W, T8 18W, T5C 22W and TR 22W. Limiting the maximum power to 25W the design does not need to conform to THD and PF requirements and this allows saving the PFC stage reducing the components count and maintaining a very small size.

APPLICATION NOTE

AN-1062

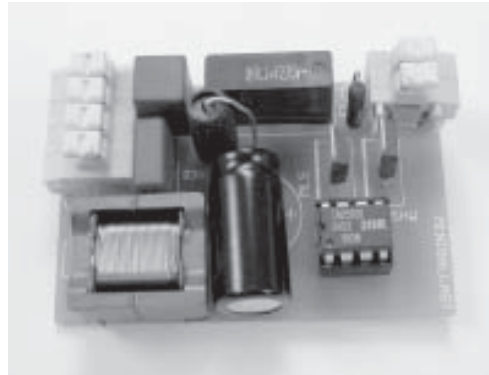
International Rectifier • 233 Kansas Street El Segundo CA 90245 USA

IRPLMB1E - 25W 230VAC small size ballast using IR2520D

By
Cecilia Contenti

Topics Covered

- Overview*
- Features*
- Electrical Characteristics*
- IR2520D Ballast Control IC*
- Circuit Description*
- Miniballast Circuit Diagram*
- Functional Description*
- Fault Conditions*
- Miniballast Layout*
- Design Tip: AUto-restart Option*
- Design Procedure to adapt the design to different lamp types*



1. Overview

Small sizes ballasts (often called Matchbox ballasts) are becoming very common in Europe to drive a wide range of lamps with power between 18W and 26W like PLC 18W, PLT 18W, TC-L 18W, TC-L 24W, TC-F 18W, TC-F 24W, TC-DEL/TEL 26W, T5 24W, T8 18W, T5C 22W and TR 22W. Limiting the maximum power to 25W the design does not need to conform to THD and PF requirements and this allows saving the PFC stage reducing the components count and maintaining a very small size.

The MINIBALLAST1 is an electronic ballast for driving 26W compact fluorescent lamps from 220VAC. The circuit provides all of the necessary functions for preheat, ignition and on-state operation of the lamp and also includes the EMI filter and the rectification stage. The ballast size is 36mmx55mm.

The circuit is built around the IR2520D Ballast Control IC. The IR2520D provides adjustable preheat time, adjustable run frequency to set the lamp power, high starting frequency for soft start and to avoid lamp flash, fault protection for open filament condition and failure to strike, low AC line protection and auto-restart after line brownout conditions. The IR2520D is a low-cost solution with only 8 pins and allows the component count for the complete solution to be reduced down to 19 components.

2. Features

- Programmable run frequency
- Programmable preheat time
- Open filaments and no-lamp protection
- Failure to Strike and deactivated-lamp protection
- Low AC line protection

3. Electrical Characteristics

Input Power: 24W @ 220VAC
 Input Current: 168mA @ 220VAC
 Starting Frequency: 100KHz
 Average Run Frequency: 40KHz
 Ballast turn-on voltage: 120VAC
 Ballast turn-off voltage: 70VAC

Input (VAC)	Pin (W)	I _{rms} (mA)	V _{busav} (V)	Freq. (KHz)	PF	THD (%)
200	21	160	280	40.3	0.63	115
210	22	160	290	40.3	0.625	117
220	24	168	300	40.3	0.62	118
230	24.2	168	310	40.3	0.62	118
240	24.5	168	320	40.3	0.61	118

4. IR2520D Ballast Control IC

The IR2520D is intended for driving CFL and TL lamps in CFL or matchbox (small size ballasts) applications. The IR2520D integrates all of the necessary functions for preheat, ignition and on-state operation of the lamp, plus, lamp fault protection and low AC-line protection, together with a complete high and low-side 600V half-bridge driver. The IR2520D has only 8 pins and fits into a standard SOIC8 or DIP8 package. The IR2520D has been designed to overcome the disadvantage of discrete self-oscillating solutions while maintaining low cost.

In the CFL market, the self-oscillating bipolar transistor solution is still more popular than a ballast control IC plus FETs solution due to lower cost. This approach is very simple in nature but has disadvantages including:

- DIAC or additional circuit required for starting, additional free-wheeling diodes required

- operating frequencies determined by bi-polar transistor storage time and toroid saturation (not easy to design, very dependent on tolerances in production and difficult to set the frequencies precisely),
- unreliable "always hot" PTC thermistor used for preheat that often fails in the field,
- no protection against lamp non-strike or open filaments conditions,
- no smooth frequency ramping during ignition,
- capacitive mode operations,
- high crest factor in the lamp current.

These can result in high susceptibility to components and load tolerances and/or catastrophic failure of ballast output stage components and a short lamp life. The IR2520D includes adaptive zero-voltage switching (ZV, adaptive run frequency for zero-voltage switching), internal crest factor and non-zero voltage switching (ZVS) protection, as well as an integrated bootstrap diode. The heart of this IC is a voltage controlled oscillator (VCO) with externally programmable minimum frequency and a 0-5VDC analog voltage input. One of the biggest advantages of the IR2520 is that it uses the VS pin and the RDSon of the low-side half-bridge MOSFET for over-current protection and to detect non-ZVS conditions. An internal 600V FET connects the VS pin to the VS sensing circuitry and allows for the VS pin to be accurately measured during the time when pin LO is high, while withstanding the high DC bus voltage during the other portion of the switching cycle when the high-side FET is turned on and VS is at the DC bus potential. This eliminates the need for a high-precision current sensing resistor that is typically used to detect over current. Please refer to the IR2520D datasheet for further information on the IR2520D including electrical parameters, state diagram and complete functional description.

As a result of the IR2520 features, the MINIBALLAST1 circuit using the IR2520D is a complete matchbox solution that offers better reliability and longer lamp life than self oscillating solutions while reducing component count and ballast size.

5. Circuit Description

The schematic for MINIBALLAST1 is shown in figure 5.1. The BOM with the components values is shown in table 5.2.

The ballast incorporates a fuse, EMI filter, input rectifier, bus capacitor, half-bridge, control and output stage. The output stage is the classical resonant circuit consisting of an inductor, LRES, and a capacitor, CRES. The circuit is built around the IR2520D Ballast Control IC. The IR2520 provides adjustable preheat time, adjustable run frequency to set the lamp power, high starting frequency (about 2.5 times f_{min}) to avoid lamp flash, capacitive mode protection for open filament condition and current crest factor protection for failure to strike or no lamp conditions.

The AC line input voltage is rectified to provide a bus voltage of approximately 300 volts. The start up resistor, R_{supply} (in the reference design we have 2 resistors, R_{supply} and $R_{supply\ 2}$ in series), is sized such that they can supply the micro-power current during under-voltage lockout (UVLO). When VCC exceeds the UVLO+ threshold, the IR2520 begins to oscillate and the charge pump circuit (CSNUB, DCP1 and DCP2) supplies the current to VCC that causes the internal 15.6V zener clamp to regulate.

The IR2520 Ballast Control IC controls the frequency of the half-bridge programming the right parameters on the lamp to provide lamp preheat, lamp ignition, running mode, low AC line protection and lamp/ballast fault protection.

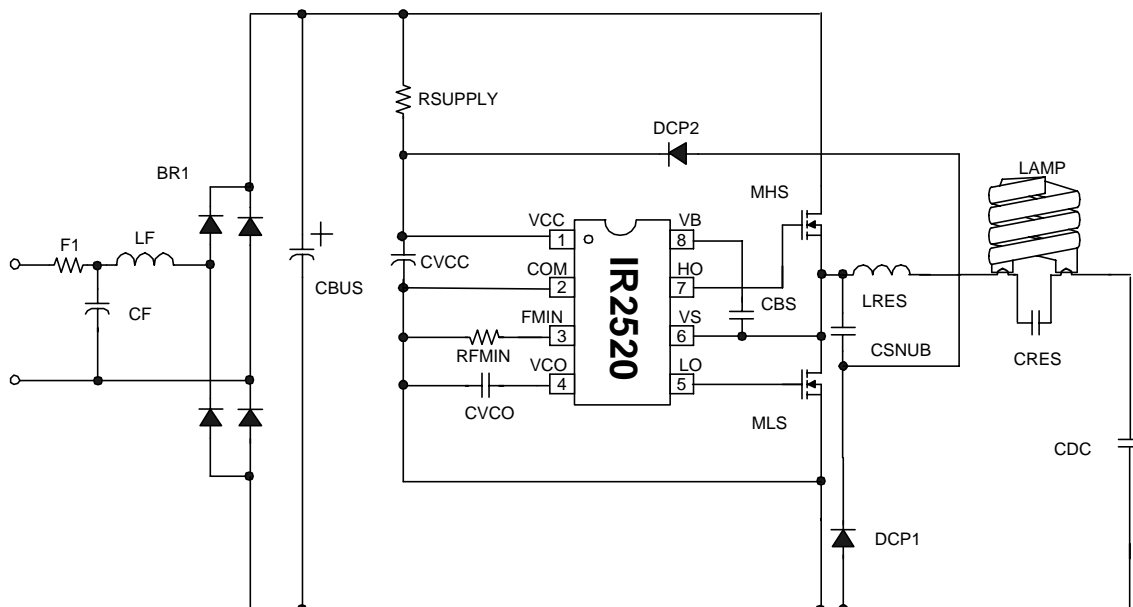


Fig. 5.1) MINIBALLAST1 Circuit Diagram

Item #	Qty	Manufacturer	Part Number	Description	Reference
1	1	International Rectifier	DF10S	Bridge Rectifier, 1A 1000V	BR1
2	1	Dale	CW-1/2	Resistor, 0.5Ohm, 1/.2W	F1
3	1	Panasonic	ECQ-U2A104ML	Capacitor, 0.1uF 275 VAC	CF
		Digikey	P10730-ND		
4	1	Epcos	B82145-A1105-J	EMI Inductor, 1mH 370mA	LF
		Digikey	M5830-ND	RF Chockes 1mH 200mA	
5	1	Wima	MKS2 Series	Capacitor, 47nF 400V	CDC
6	1	Panasonic	EEU-EB2V100	Capacitor, 10uF 350VDC 105C	CBUS
7	1	Panasonic	ECJ-3VB1H104K	Capacitor, 0.1uF 50V 1206	CBS
8	1	Panasonic	ECJ-3VF1E474Z	Capacitor, 0.47uF 25V 1206	CVCO
9	1	Panasonic	ECY-3YB1E105K	Capacitor, 1uF 25V 1206	CVCC
10	1	AVX	1812AA681J	Capacitor, 680pF 1KV SMT 1812	CSNUB
11	1	Wima	MKP4 Series	Capacitor, 4.7nF 1KV Polypropylene	CRES
12	1	International Rectifier	IR2520D	IC, Ballast Driver	IC BALLAST
13	1	VOGT	5752602600	Inductor, 2.25mH, 5%, 1Apk	LRES
14	2	International Rectifier	IRFU320	Transistor, MOSFET	MHS, MLS
15	2	Panasonic		Resistor, 1M, 1206, 100V	RSUPPLY1, RSUPPLY2
16	1	Panasonic	ERJ-8ENF6812V	Resistor, 68.1K, 1%, 1206	RFMIN
17	2	Diodes	LL4148DICT-ND	Diode, 1N4148 SMT DL35	DCP1, DCP2
18	1	WAGO	235-202	Connector, 2 terminal	X1
19	1	WAGO	235-204	Connector, 4 terminal	X2
Total	22				

TABLE 5.2) MINIBALLAST1 Bill Of Materials.

Lamp type: Spiral CFL 26W, Line Input Voltage: 190-240 VAC. Note: Different lamp types may require BOM changes.

6. Functional Description

Figure 6.1 shows the voltage across the lamp and the current in the resonant inductor LRES during Startup, Preheat, Ignition and Run Mode.

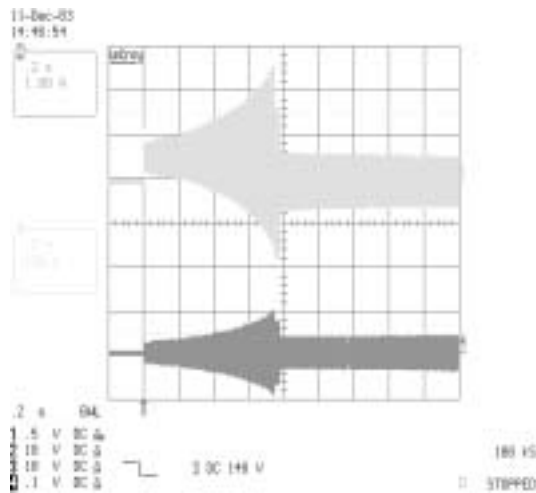


Fig. 6.1:

Voltage across the lamp (yellow waveform) and current in the resonant inductor (green waveform) during Startup, Preheat, Ignition and Run Mode

When power is turned on, the IR2520D goes into Under Voltage Lockout (UVLO) mode.

The UVLO mode is designed to maintain a very low (<200uA) supply current and to guarantee that the IC is fully functional before the high- and low-side output drivers are activated. During UVLO, the high- and low-side driver outputs (LO and HO) are both low and pin VCO is pulled down to COM for resetting the starting frequency to the maximum.

Once VCC reaches the startup threshold (UVLO+), the IR2520D turns on and the half-bridge FETs start to oscillate. The IC goes into Frequency Sweep Mode.

At startup, VCO is 0V and the frequency is very high (about 2.5 times f_{min}). This minimizes voltage spikes and lamp flash at startup. The frequency ramps down towards the resonant frequency of the high-Q ballast output stage, causing the lamp voltage and lamp current to increase. During this time, the filaments of the lamp are pre-heated to the emission temperature to guarantee a long lamp life. The frequency keeps decreasing until the lamp ignites. If the lamp ignites successfully, the IR2520D enters RUN Mode. If the minimum frequency has been chosen below or very close to the resonant frequency, the IC will work near resonance and will adjust the frequency continuously to maintain ZVS at the half-bridge and to minimize the losses in the FETs. If the minimum frequency has been chosen higher than the resonant frequency the IR2520D will work at the minimum frequency.

Figure 6.2 shows the current across the resonant inductor and the voltage across the lamp filaments at the startup.

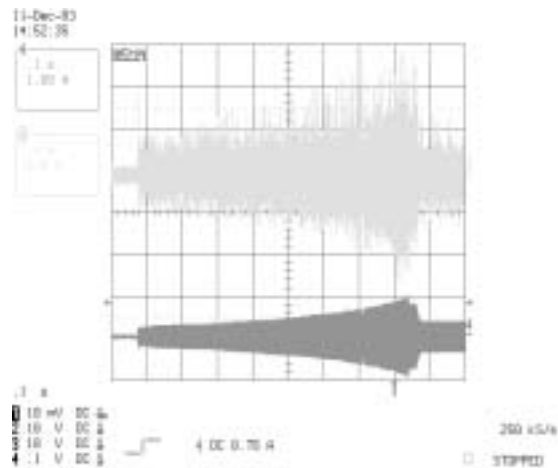


Figure 6.2:

Voltage across the lamp filaments (yellow) and current in the resonant inductor (green) at the startup.

Figure 6.3 shows the VS (HB) Voltage, the lamp voltage and the lamp current during Run Mode.

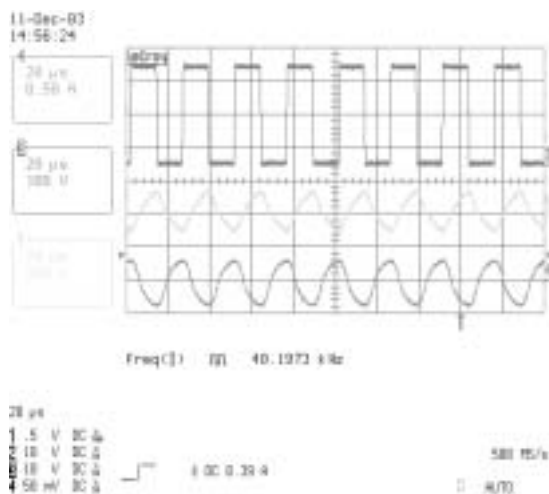


Figure 6.3:

VS (HB) Voltage (blue), Lamp Voltage (yellow) and the Lamp Current (green) during Run Mode.

7. Fault Conditions

In case of fault conditions such as open filaments, failure to strike, deactivated lamp or no lamp, the IR2520D will go into Fault Mode. In this mode the oscillator is latched off. To reset the IC back to pre-heat mode, VCC must be recycled below and above the UVLO thresholds. Resetting the mains does this. In case of low AC line, the IR2520D will automatically increase the frequency to maintain ZVS. In this way, the ballast will work at a lower power during a low AC line condition and will operate at the proper power again when the line increases again.

7.1. Failure To Strike/ Deactivated Lamp Protection

This protection relies on the crest factor protection together with the non-ZVS circuit of the IR2520D, both enabled when the voltage in pin VCO reaches 4.6V.

In order to detect failure to strike conditions, the IR2520D performs an internal crest factor measurement for detecting excessive dangerous currents or inductor saturation that can occur during a lamp non-strike fault condition or deactivated lamp condition. The IR2520D measures the VS pin during the entire on-time of the low-side MOSFET. Should the peak current exceed the average current by a factor of 4 during the on-time of LO, the IC will enter Fault Mode and both gate driver outputs will be latched 'low'. Performing the crest factor measurement provides a relative current measurement that cancels temperature and/or tolerance variations of the RDSon of the low-side half-bridge MOSFET and does not need to be programmed differently for different lamp types. During normal operation, the current will increase until the lamp ignites. After lamp ignition the current will decrease down to the nominal current. Should a lamp non-strike condition occur where the filaments are intact but the lamp does not ignite, the lamp voltage and output stage current will increase during the ignition ramp until excessive currents occur or the resonant inductor saturates. The non-ZVS circuit or the crest factor circuit will detect this condition and the IC will enter Fault Mode and both gate driver outputs will be latched 'low'. This will prevent damaging of the half-bridge MOSFETs.

Fig. 7.1 shows the inductor current and the lamp voltage in case of failure to strike condition together with the VCO pin voltage. At initial turn-on of the ballast, the frequency will ramp down from fmax, through resonance, to fmin. If the lamp does not ignite, the inductor current will saturate and high-voltages will occur across the lamp as the frequency sweeps through resonance. The voltages and currents in the output stage will decrease as the frequency continues to decrease to the capacitive side of resonance. The voltages and currents will be low but hard-switching will occur (non-ZVS). When the frequency reaches

fmin (VCO > 4.6V), the non-ZVS and crest-factor protection will be activated and the frequency will increase again to try and maintain ZVS. The frequency will sweep back through resonance (from the capacitive side) and the crest-factor protection will shutdown the IC on the first event when the inductor saturates to a level where the crest factor exceeds 3 (see Fig. 7.1).

Fig. 7.2 shows pin LO, pin VS and the current in the resonant inductor during shutdown, with a shorter time scale. The final shortened pulse of LO just before shutdown (Fig. 7.2) occurs due to the internal 1us blank time of the crest-factor detection during each turn-on rising edge of LO (to provide immunity to noise and transients).

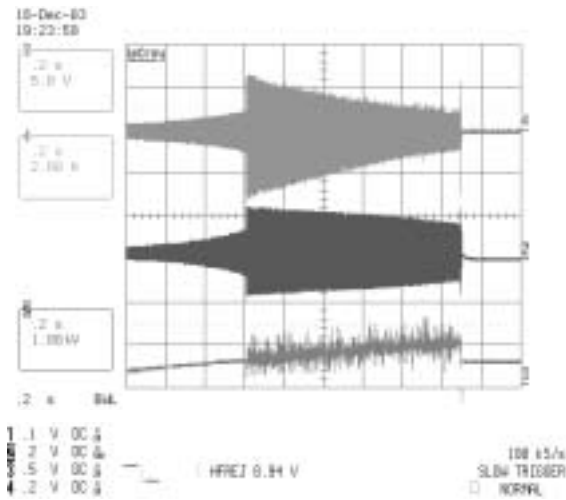


Fig. 7.1:

4 is the current in the resonant inductor, 2 is the lamp voltage, 3 is the voltage in pin VCO

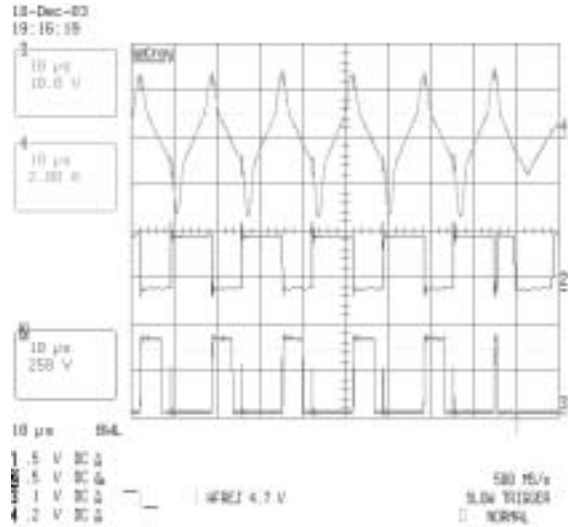


Fig. 7.2:

4 is the current in the resonant inductor, 2 is pin VS (HB Voltage), 3 is pin LO

7.2. Open Filaments Protection

The open filament protection relies on the non-ZVS circuit of the IR2520D, enabled when pin VCO reaches 4.6V. Should an open filament lamp fault occur, hard-switching will occur at the half-bridge and the non-ZVS circuit inside the IR2520 will detect this condition, increase the frequency each cycle and shutdown when VCO decreases below 1V; both gate driver outputs will be latched 'low'. This will prevent hard-switching and damaging of the half-bridge MOSFETs.

Fig. 7.3 shows the pin VCO and pin VS at the shutdown with open filament. As you can see, at startup pin VCO charges from 0V up to 4.6V, at 4.6V the non-ZVS circuit is enabled, CVCO discharges and the frequency increases. When the voltage on pin VCO decreases below 1V we have latched shutdown.

Fig. 7.4 shows pin VCO and pin VS (HB Voltage) at the shutdown with a shorter time scale. The FMIN pin can be used as trigger as this pin transitions from 5V to COM when the IC enters fault mode or UVLO-.

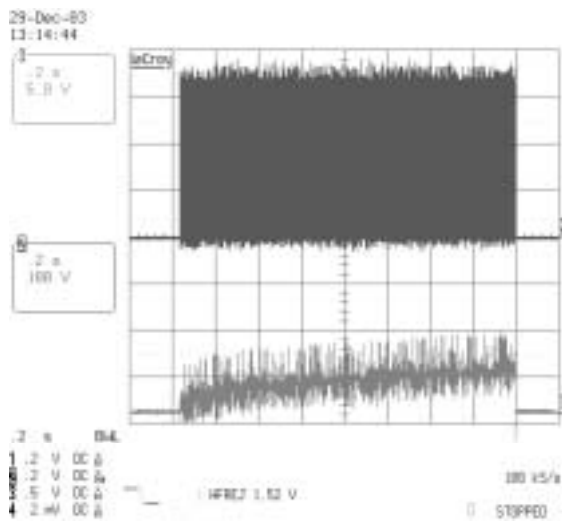


Fig. 7.3:

3 is the voltage in pin VCO and 2 is pin VS

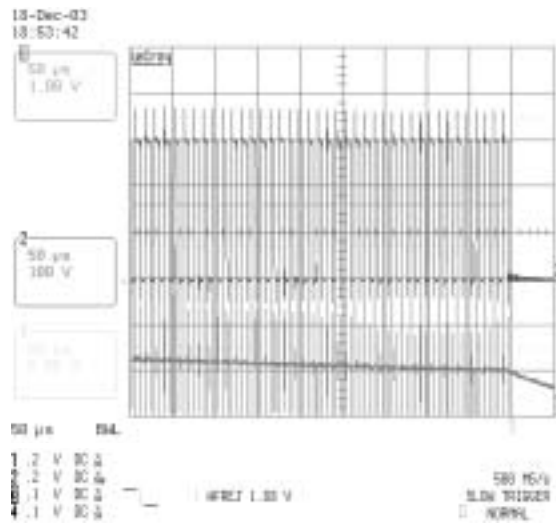


Fig. 7.4:

1 is the voltage in pin FMIN, 3 is the voltage in pin VCO, 2 is pin VS

7.3. Low AC line Protection

As you can see from figure 7.5, varying the AC line from 220V to 130VAC the ZVMCS circuit of the IR2520 increases automatically the frequency to maintain ZVS.

When the mains voltage decreases, the resonant frequency increases, becoming close to the run frequency. This will cause non-ZVS. The IR2520 will detect non-ZVS and increase the frequency continuously as long as non-ZVS is detected. This will protect the half-bridge MOSFETs against hard-switching.

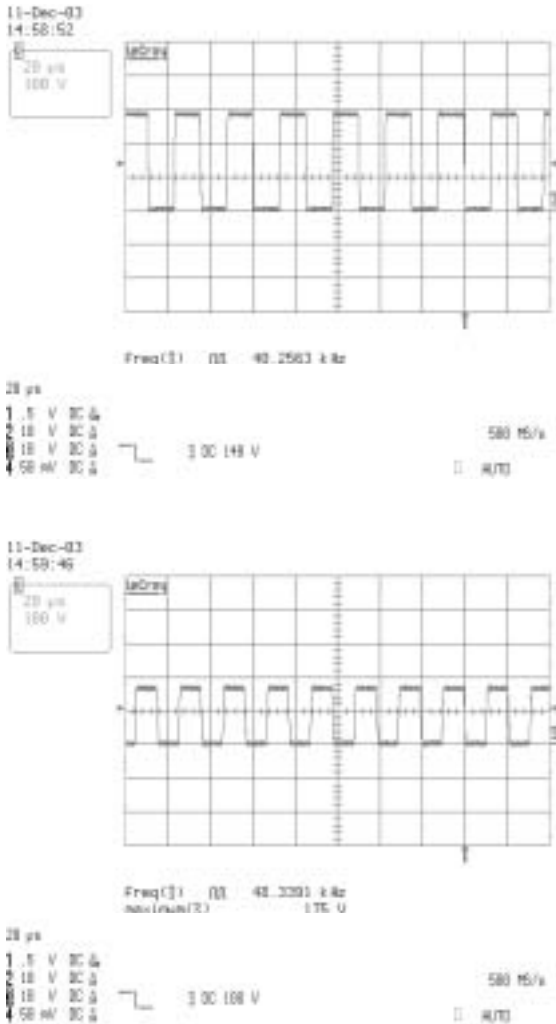


Figure 7.5:

VS PIN for AC line 220V (on the top) and AC line 130V (on the bottom)

8. MINIBALLAST Layout

The Layout of the Reference Kit MINIBALLAST1 is shown in Fig. 8.1.

The critical components are CVCC, CVCO, RFMIN and CBOOT. They must be placed as close as possible to the pins of the IR2520D. The ground of CCVO, RFMIN and CVCC need to be connected to pin COM of the IR2520D and this ground path must be connected to the power ground at a single point

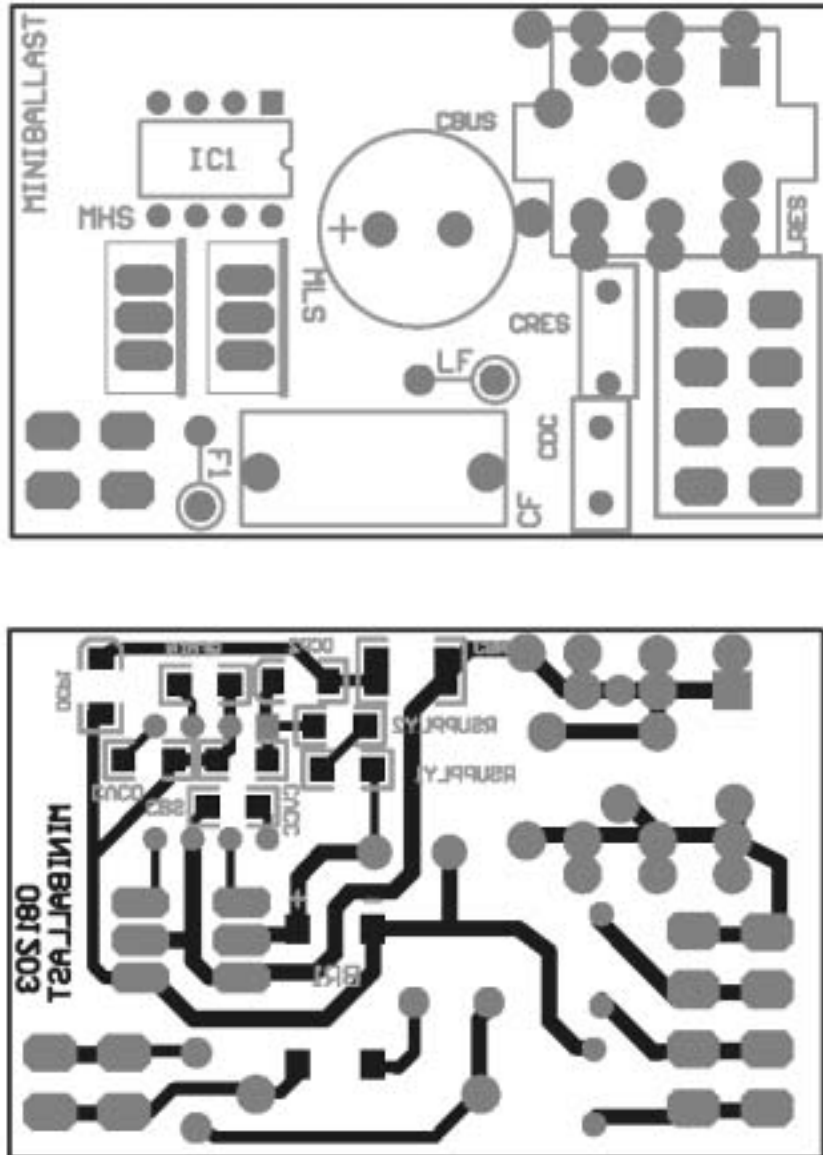


Figure 8.1: MINIBALLAST1 Layout

9. Design Tip: Auto-restart Option

The design can be modified to include re-lamp/auto-restart option as shown in Fig. 9.1.

The resistors R_{supply} must be moved across the upper lamp filament and the lamp connected to the bus voltage, instead than to ground. When the lamp

is replaced, R_{supply} together with the upper filament of the lamp provide a path from the DC bus to supply the micro-power current to the IR2520 and to restart the IR2520 as soon as V_{CC} exceeds the UVLO+ threshold. R_{supply} need to be able to handle high voltage. If using SMD components, 2 resistors are needed.

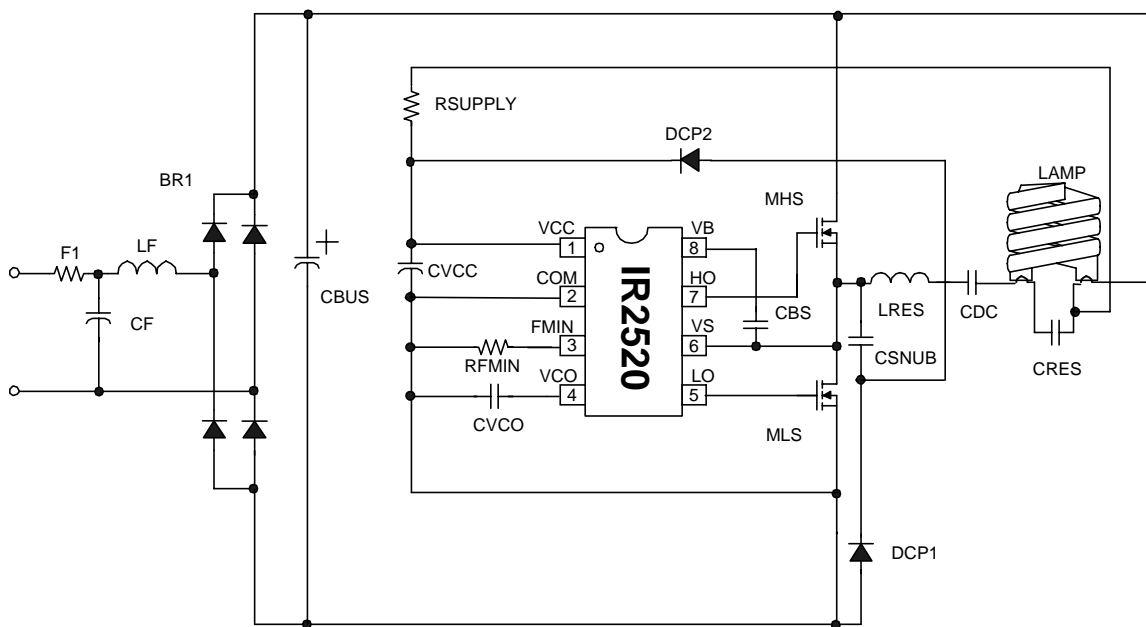


Fig. 9.1: Circuit Modification to include auto-restart option

10. Design Procedure to adapt the design to different lamps types

The design with the IR2520D is very simple because it only has 2 control pins: VCO (0-5VDC oscillator voltage input) and FMIN (minimum frequency setting). To modify the design for a higher lamp power, you will need to modify RFMIN, CVCO, LRES and CRES. Make sure that FETs and inductors are rated to the current you need with the new lamp and that VCC is stable. To modify the design to a lower lamp power, you will need to decrease RFMIN and only in some case to modify also CVCO, LRES and CRES. In most cases you can use FETs and inductors with lower current ratings.

Pin FMIN is connected to ground through a resistor (RFMIN). The value of this resistor programs the minimum frequency (f_{min}) of the IC and the starting frequency of the IC ($2.5 \times f_{min}$). The IR2520 will work in run mode at the minimum frequency unless non-ZVS is detected. Generally, to work with constant frequency, the minimum frequency needs to be chosen above the resonant frequency of the low-Q R-C-L circuit. In this case, one can increase the value of RFMIN to decrease the frequency and increase the lamp power, or, decrease the value of RFMIN to increase the run frequency and decrease the lamp power.

Pin VCO is connected to ground through a capacitor (CVCO). The value of this capacitor programs the time the frequency needs to ramp down from 2.5 times f_{min} (f_{max}) to f_{min} .

One can increase the capacitor value to increase the preheat time, or, decrease the capacitor value to decrease the preheat time.

The suggested design procedure is as follows:

- 1) Use the BDA software to calculate LRES and CRES.
 Select the input configuration without PFC, select the IR2156 IC and select single lamp current mode configuration. Select the new lamp in the database or add the lamp parameters by hand selecting the "Advanced" option.
 Calculate the operating point and chose the right values of L and C that satisfy:
 - 1.1) Run frequency (best working range) 40-50KHz
 - 1.2) C as small as possible to minimize losses (suggested value 4.7nF)
 - 1.3) L values you have available
- 2) While measuring LO, apply 15V from pin VCC to pin COM and adjust the value of RFMIN to obtain the right minimum frequency (it is suggested set f_{min} = run frequency obtained with the BDA software). Increase RFMIN to decrease the minimum frequency or decrease RFMIN to increase the minimum frequency.
- 3) Apply the AC input and check preheat, ignition and run states of the lamp.
 - 3.1) If the lamp ignites during preheat, the pre heat current is too small or the starting voltage across the lamp is too big, increase the value of CRES to decrease the voltage across the lamp during preheat and startup while increasing the preheat current. LRES may need to be decreased to maintain the same power and the same frequency.
 - 3.2) If the IC works at a frequency $> f_{min}$, increase CRES or LRES to decrease the resonant frequency avoiding hard-switching, or, decrease the value of the snubber capacitor CSNUBBER (a CSNUBBER minimum value of 680pF is suggested to make sure VCC stays above the UVLO-).

- 3.3) If VCC drops, increase the value of CSNUBBER or CVCC
- 4) Adjust the value of RFMIN to have the right power on the lamp (increase RFMIN to increase power or decrease RFMIN to decrease power) and the value of CVCO to set the correct preheat time (increase CVCO to increase the preheat time and decrease CVCO to decrease the preheat time).
- 5) Test the ballast over the entire input range and make sure that the frequency does not change dramatically in your working range. Select the value of RSUPPLY to have startup at the correct AC line voltage. Increase the value of RSUPPLY to start the IC at higher AC voltages and decrease the value of RSUPPLY to start the IC at lower AC voltages.
- 6) Test your lamp life (number of starts). A good design should guarantee at least 5,000 starts. To increase the number of starts, increase CRES or the preheat time (CVCO)