



Voltage Trackers

Cost Efficient Power Management Solutions

Did you know...

an increase in energy efficiency

- Extends battery life
- Extends operating time
- Reduces cost

Infineon Technologies offers voltage trackers fitting a broad range of consumer, computing, communications and industrial applications. By leveraging our long standing and market leading experience in automotive power supplies application, we are expanding our portfolio to provide power supply solutions to our customer's current and future application needs.

Applications

- Industrial & consumer
- Manufacturing & automation
- HDTV & Flat panel monitors
- Appliances / White goods
- Battery chargers
- Battery powered instrumentation
- USB HUBs, routers, modems
- Post regulator for DC/DC converters
- Active SCSI terminators
- Cordless phones
- Metering systems
- Motor drives

Key Features

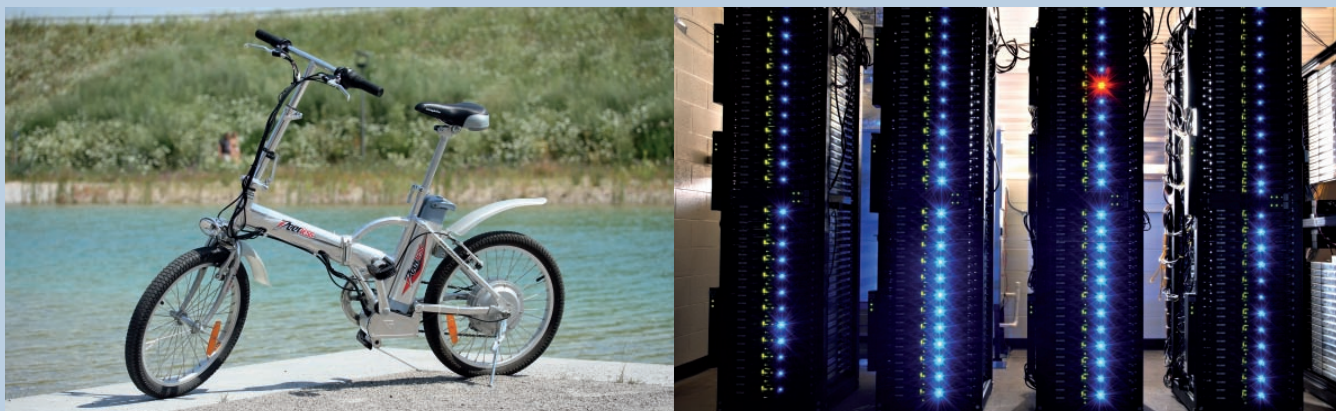
- Very low dropout
- Protection against overload and over temperature
- Protection against reverse polarity and short circuit

Key Benefits

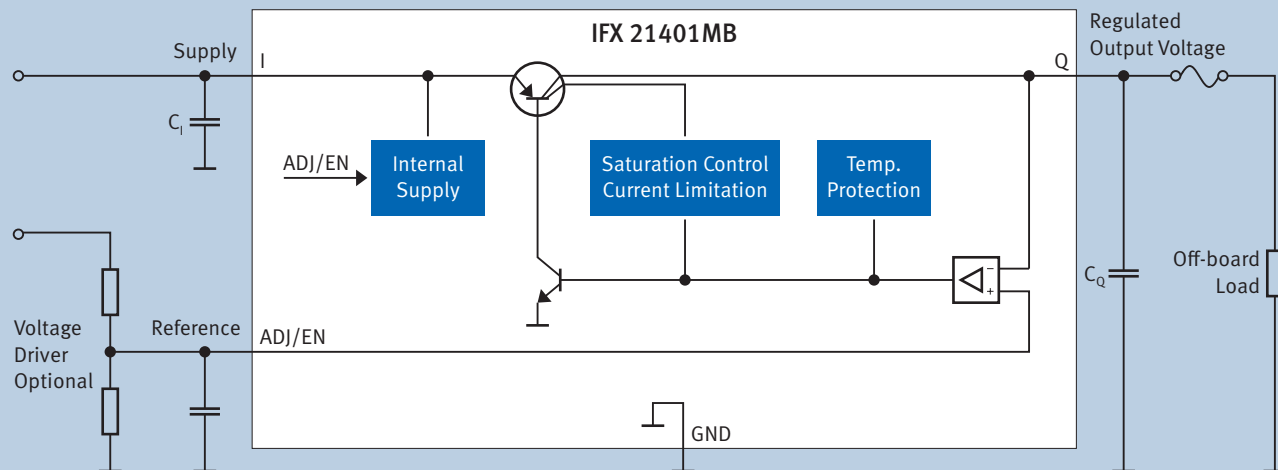
- As additional supplies for off-board loads
- For creating additional voltage levels
- For reduced board space and external protection
- For optimized heat distribution

Voltage Trackers

Cost Efficient Power Management Solutions



Block Diagram IFX 21401



Product Summary

Product	Package	Green	Regulator Type	Output Voltage	Accuracy	Max Output Current
IFX 21401	PG-SCT595-5	Yes	Tracker	adj	0.5%	50mA

All our devices are especially designed for use in harsh environments. Our robust design approach ensures delamination-free ICs and long-term reliability.

Green products (RoHS compliant) meet the world-wide customer requirements for being environmentally friendly products and to be compliant with government regulations. Green products are RoHS-Compliant.

Published by
Infineon Technologies AG
85579 Neubiberg, Germany

© 2010 Infineon Technologies AG.
All Rights Reserved.

Visit us:
www.infineon.com

Order Number: B124-H9528-X-X-7600
Date: 09 / 2010

ATTENTION PLEASE!

The information given in this document shall in no event be regarded as a guarantee of conditions or characteristics ("Beschaffenheitsgarantie"). With respect to any examples or hints given herein, any typical values stated herein and/or any information regarding the application of the device, Infineon Technologies hereby disclaims any and all warranties and liabilities of any kind, including without limitation warranties of non-infringement of intellectual property rights of any third party.

INFORMATION

For further information on technology, delivery terms and conditions and prices please contact your nearest Infineon Technologies Office (www.infineon.com).

WARNINGS

Due to technical requirements components may contain dangerous substances. For information on the types in question please contact your nearest Infineon Technologies Office. Infineon Technologies Components may only be used in life-support devices or systems with the express written approval of Infineon Technologies, if a failure of such components can reasonably be expected to cause the failure of that life-support device or system, or to affect the safety or effectiveness of that device or system. Life support devices or systems are intended to be implanted in the human body, or to support and/or maintain and sustain and/or protect human life. If they fail, it is reasonable to assume that the health of the user or other persons may be endangered.