



TVS Diodes

Transient Voltage Suppressor (TVS) & ESD Protection Diodes

INFINEON TVS-DIODE Arrays for ESD-, EFT- and Surge Protection are characterized by low clamping voltages and high robustness. As for all Infineon products, this protection devices come with the same superior quality level and benefit from the advantages that only a proven high volume system supplier can provide.

Product Overview

Type	V_{RWM} [V]	C_T typ. [pF]	Number of Protected Lines	ESD (IEC61000-4-2 contact) [kV]	V_{Cl} [V]	$I_{PP\ max.}$ [A]	Package
General Purpose TVS							
ESD5VoS1U-03W	5	430	1 uni-directional	25	8 V @ $I_{pp} = 8$ A (8/20 μ s)	30	SOD323
ESD5VoS2U	5	430	2 uni-directional 1 bi-directional	25	8 V @ $I_{pp} = 8$ A (8/20 μ s)	30	SOT23
ESD5VoS5US	5	70	5 uni-directional 4 bi-directional	25	9.5 V @ $I_{pp} = 8$ A (8/20 μ s)	8	SOT363
High Speed Data Interface							
ESD8VoL2B-03L	8	4	2 bi-directional	15	-	-	TSLP-3
Ultra High Speed Data & RF ESD-Protection							
BAR66	n.a.	0.8	1	>15	6 V @ $I_{pp} = 8$ A (8/20 μ s)	12	SOT23

www.infineon.com/smallsignaldiscretetes

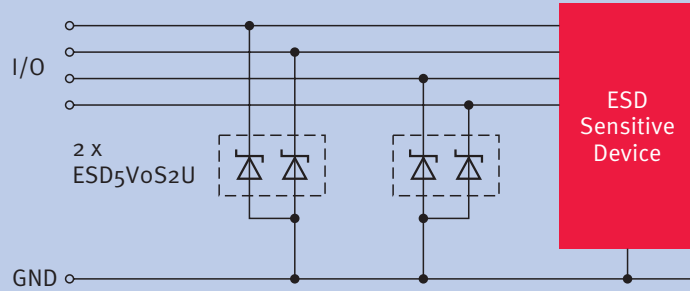
Small Signal Discretetes



Never stop thinking

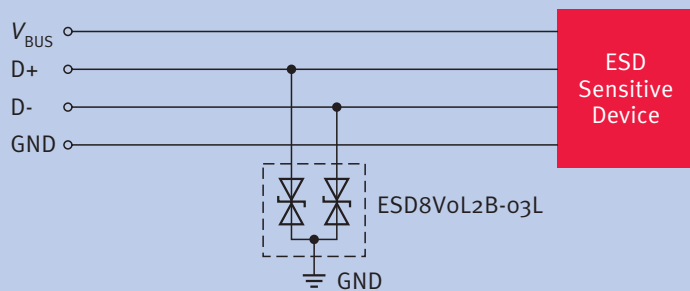
Application Examples

ESD5VoSx-Series



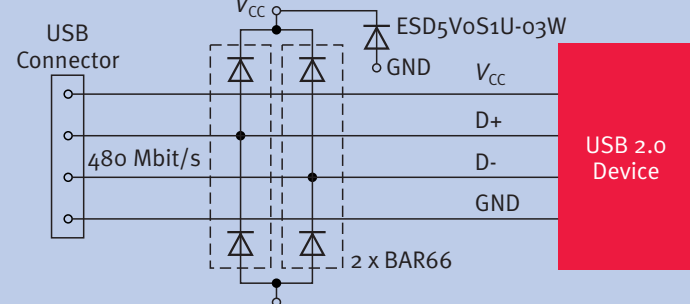
- 1- to 5-channel TVS diode arrays
 - General purpose protection
 - Excellent robustness
 - Low clamping voltage
- Low speed data interface (Power Line, Microphone, Speaker, Headset) in 5 V applications (Cellular phone, PDA, Digital Still Camera, MP3-player, etc.)

ESD8VoL2B-03L



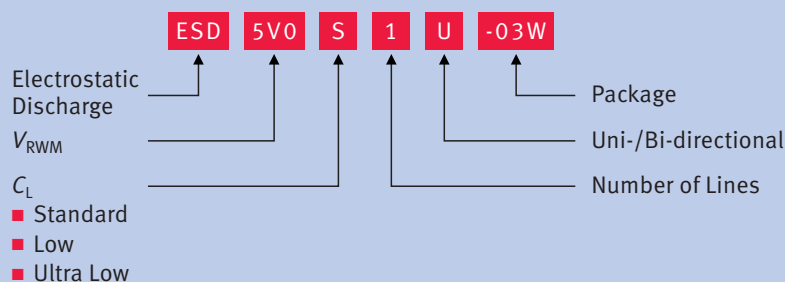
- 2-channel bi-directional ESD diode array
 - Low capacitance
 - Low inductance
 - Ultra-small TSLP package
- ESD protection of high speed data interfaces like USB, 10/100 Ethernet, Video, Serial/Parallel and LAN/WAN ports

BAR66



- Surge protection PIN diode
 - Ultra low capacitance
 - High IP3
- Surge protection of ultra high speed data interfaces like USB 2.0 High Speed, Gigabit Ethernet, DVI, HDMI, FireWire and for monitor and flat panel displays. Also recommended for ESD-protection of RF-interfaces due to high IP3 and for ADSL 2nd level protection.

Naming System for TVS Diodes



How to reach us:
<http://www.infineon.com>

Published by
Infineon Technologies AG
 81726 Munich, Germany

© 2007 Infineon Technologies AG
 All Rights Reserved.

Legal Disclaimer

The information given in this Product Brief shall in no event be regarded as a guarantee of conditions or characteristics. With respect to any examples or hints given herein, any typical values stated herein and/or any information regarding the application of the device, Infineon Technologies hereby disclaims any and all warranties and liabilities of any kind, including without limitation, warranties of non-infringement of intellectual property rights of any third party.

Information

For further information on technology, delivery terms and conditions and prices, please contact the nearest Infineon Technologies Office (www.infineon.com).

Warnings

Due to technical requirements, components may contain dangerous substances. For information on the types in question, please contact the nearest Infineon Technologies Office.

Infineon Technologies components may be used in life-support devices or systems only with the express written approval of Infineon Technologies, if a failure of such components can reasonably be expected to cause the failure of that life-support device or system or to affect the safety or effectiveness of that device or system. Life support devices or systems are intended to be implanted in the human body or to support and/or maintain and sustain and/or protect human life. If they fail, it is reasonable to assume that the health of the user or other persons may be endangered.