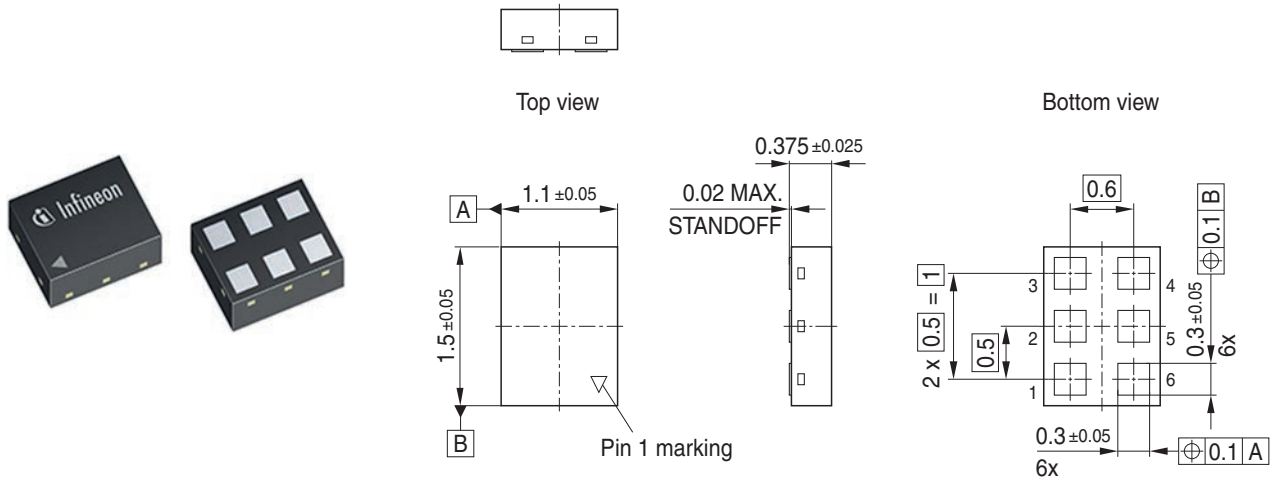
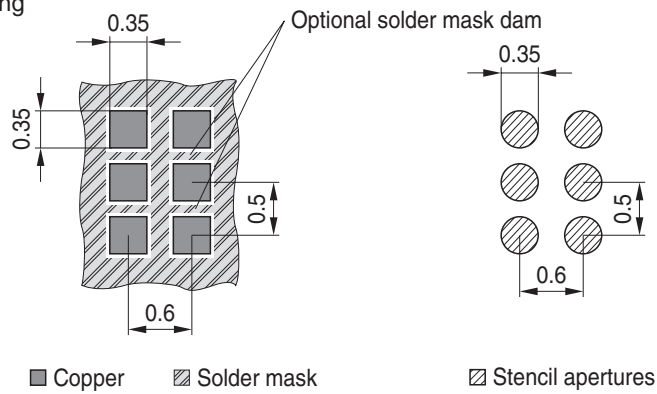


Package Outline

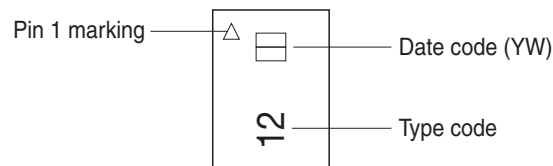


Foot Print

Soldering Type: Reflow Soldering



Marking Layout



Tape and Reel

Reel \varnothing 180 mm 7.500 Pieces/Reel
Reels/Box 1

