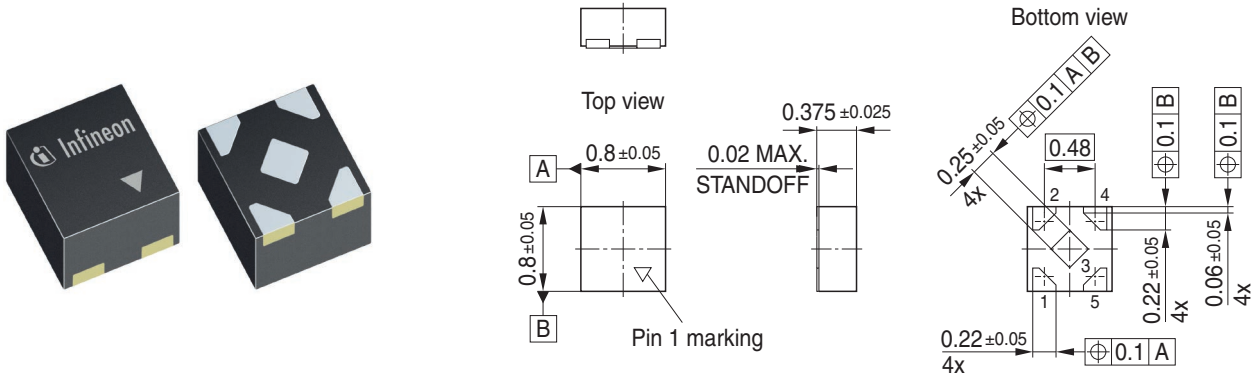
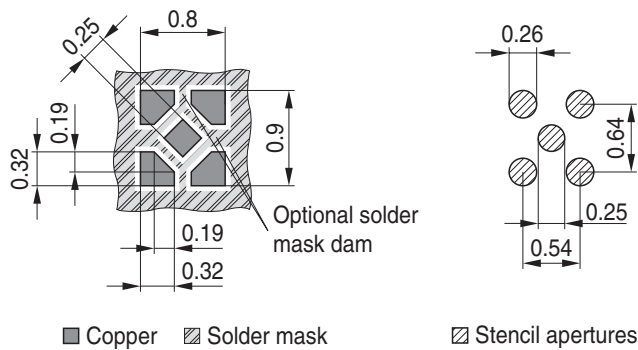


Package Outline

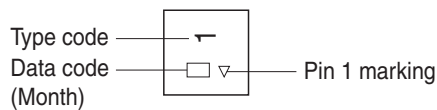


Foot Print

Soldering Type: Reflow Soldering



Marking Layout



Tape and Reel

Reel $\varnothing 180 \text{ mm}$ 15.000 Pieces/Reel
 Reels/Box 1

