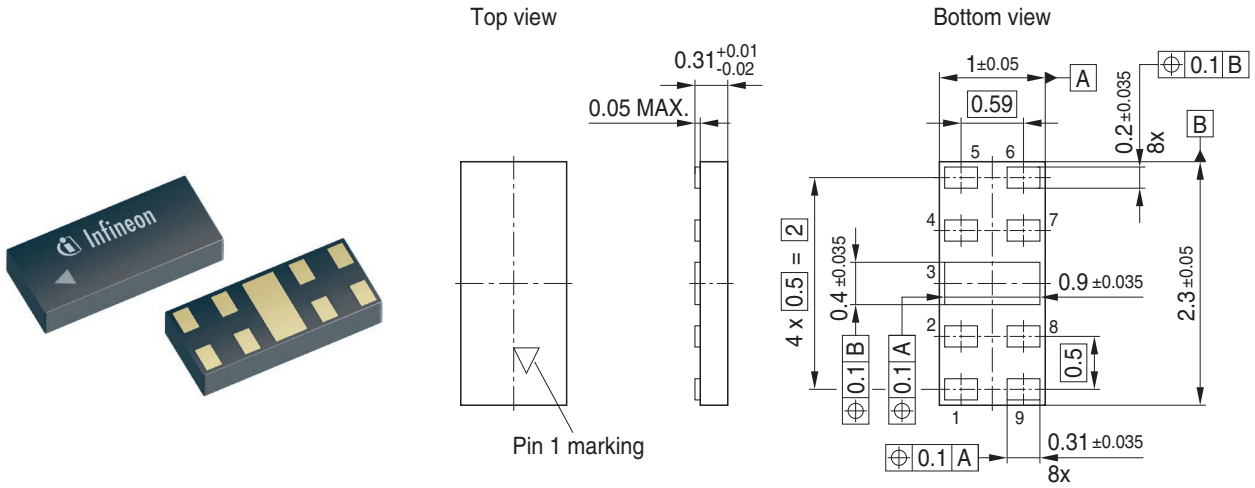
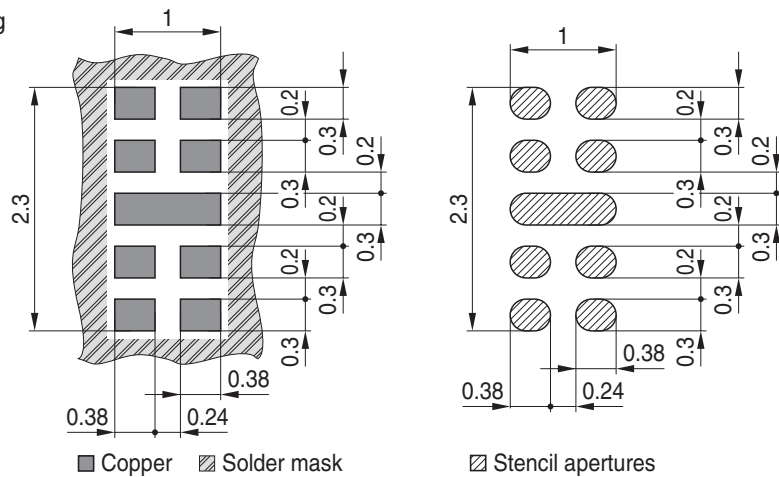


Package Outline

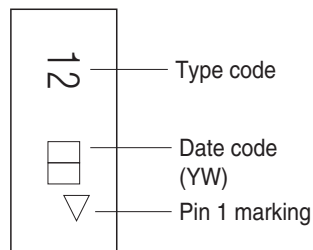


Foot Print

Soldering Type: Reflow Soldering



Marking Layout



Tape and Reel

Reel ø180 mm: 7.500 Pieces/Reel

