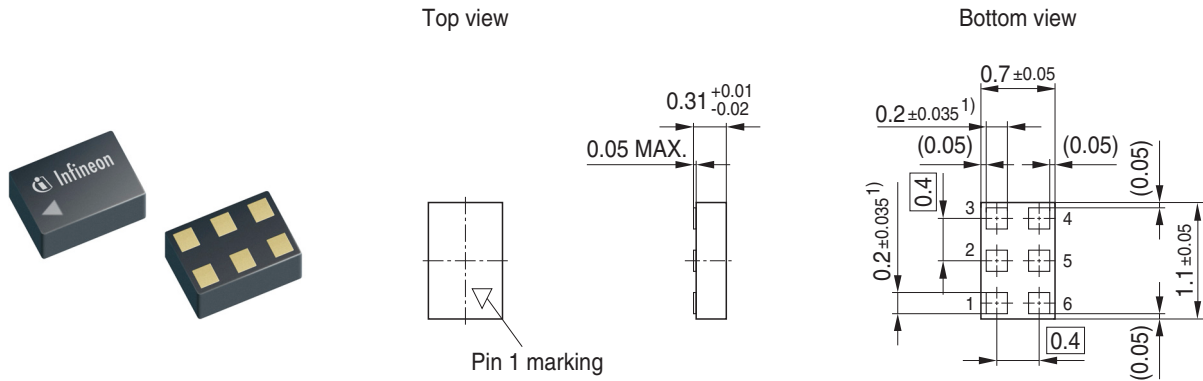


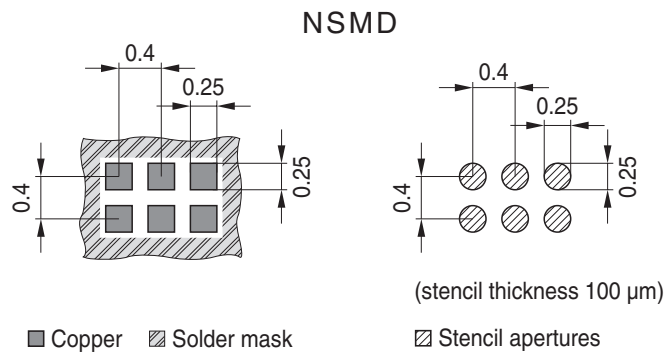
## Package Outline



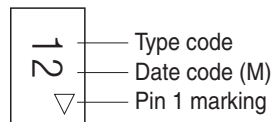
1) Dimension applies to plated terminals

## Foot Print

Soldering Type: Reflow Soldering



## Marking Layout



## Tape and Reel

Reel  $\phi$ 180 mm: 15.000 Pieces/Reel  
 Reels/Box: 1

