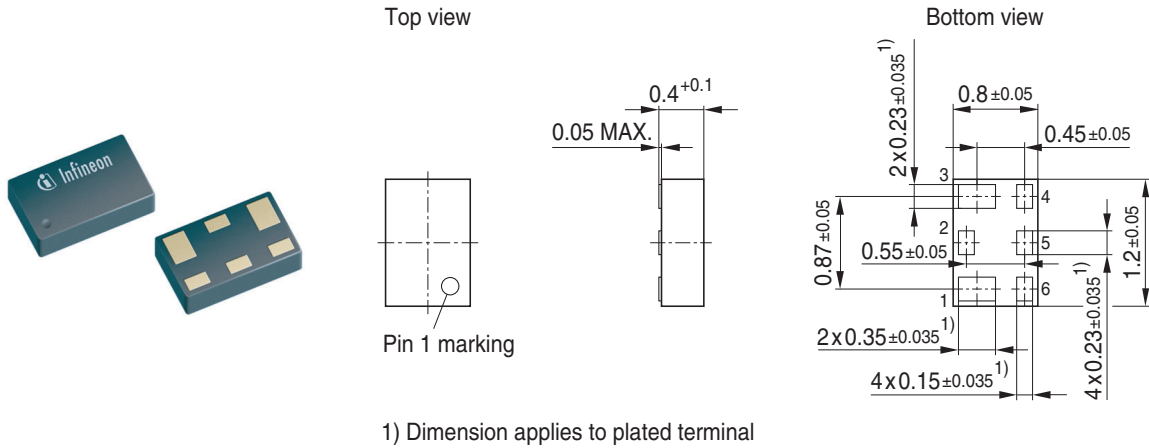
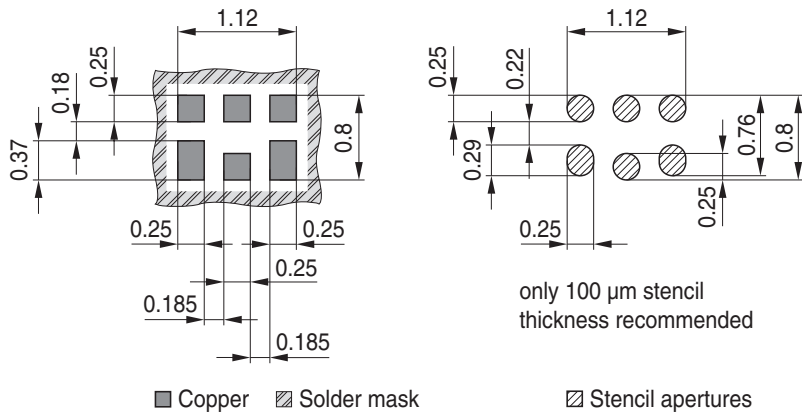


Package Outline

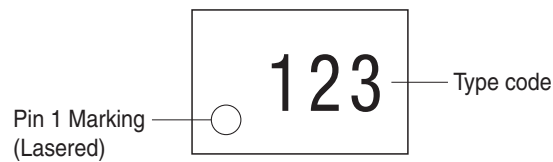


Foot Print

Soldering Type: Reflow Soldering



Marking Layout



Tape and Reel

Reel \varnothing 180 mm: 15.000 Pieces/Reel
 Reels/Box: 1

