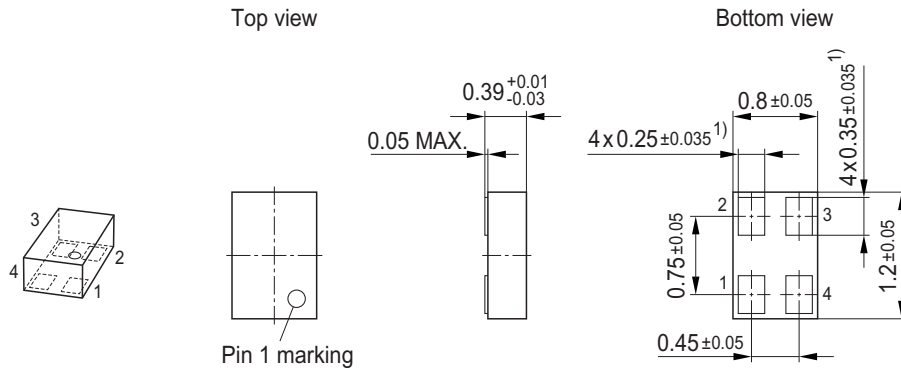


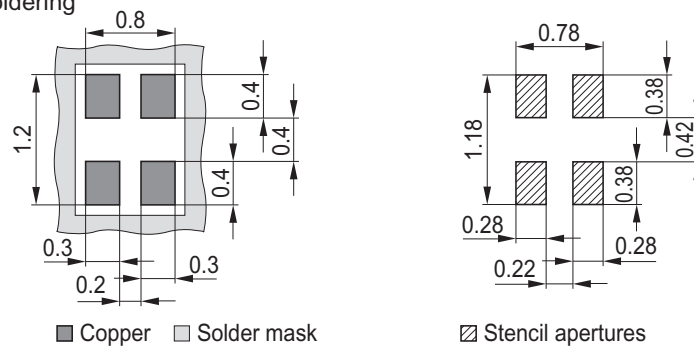
## Package Outline



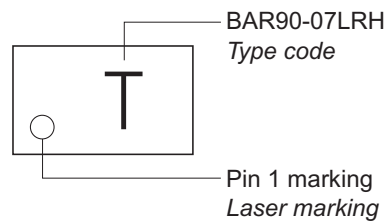
1) Dimension applies to plated terminal

## Foot Print

Soldering Type: Reflow Soldering



## Marking Layout (Example)



## Tape and Reel

Reel ø180 mm: 15.000 Pieces/Reel  
Reels/Box: 1

