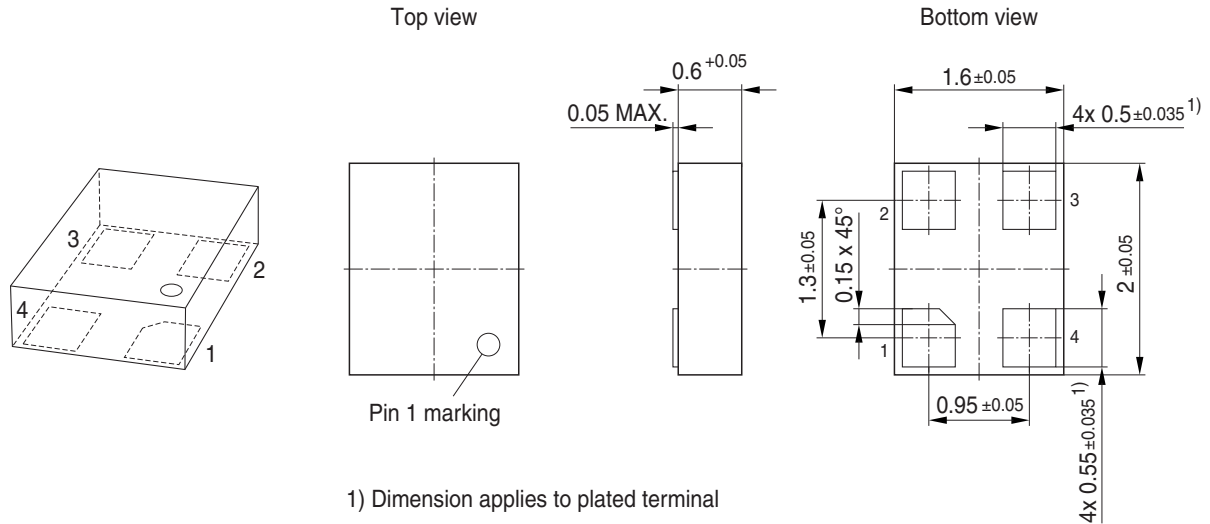
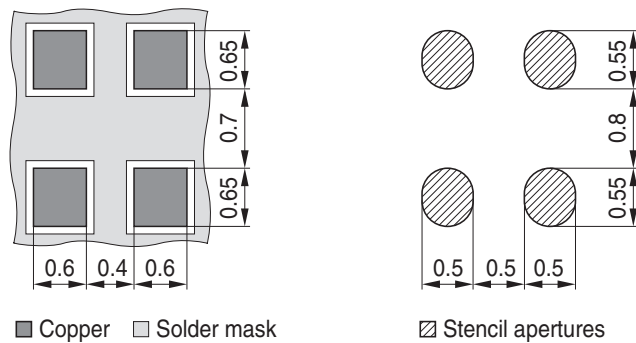


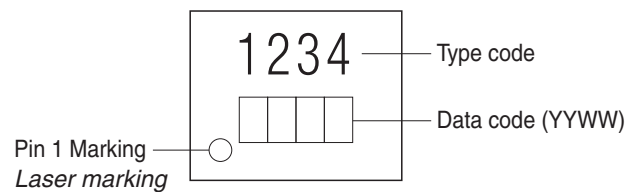
## Package Outline



## Foot Print



## Marking Layout



## Tape and Reel

Reel  $\varnothing$ 180 mm: 5.000 Pieces/Reel  
Reels/Box: 1

