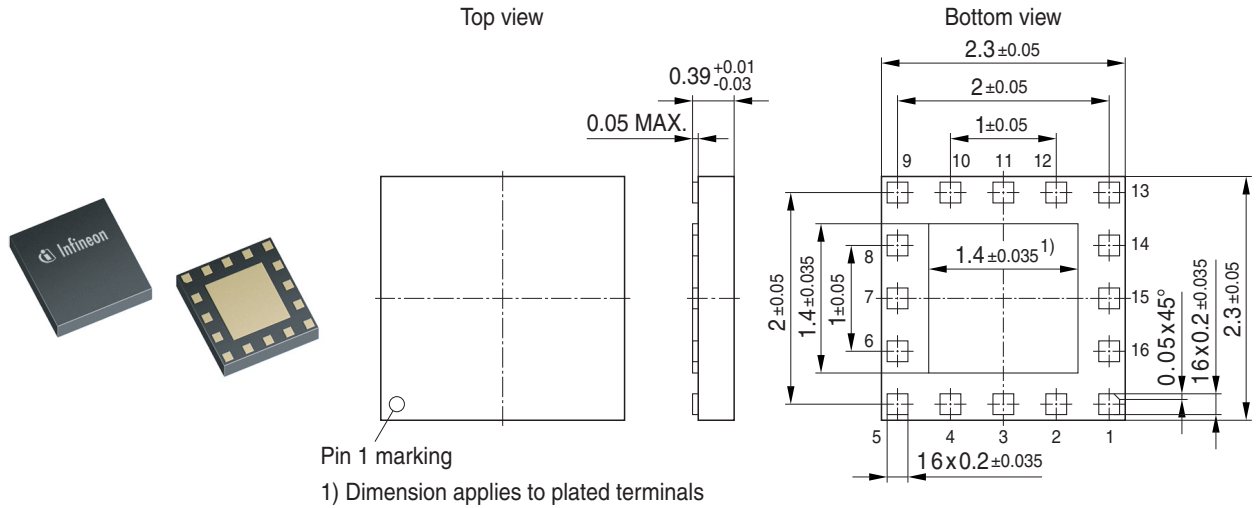


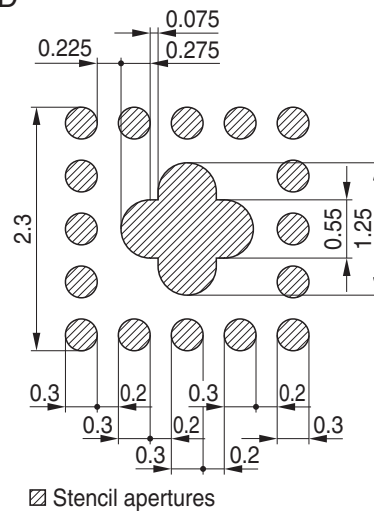
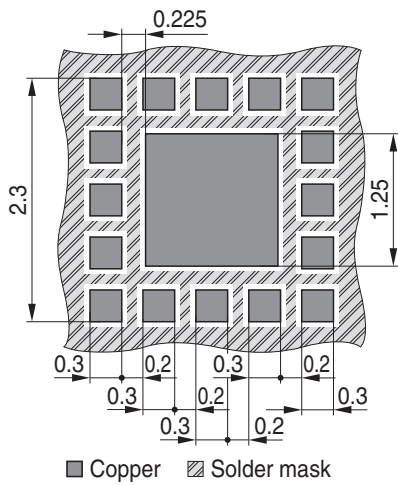
Package Outline



Foot Print

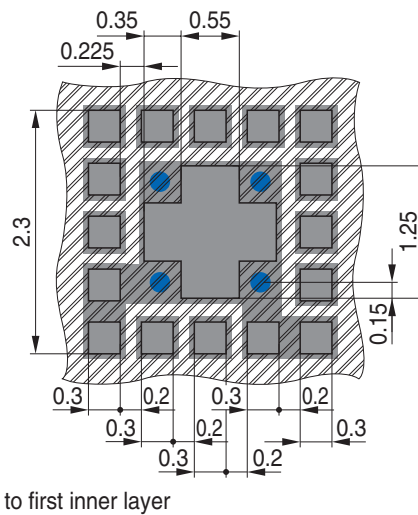
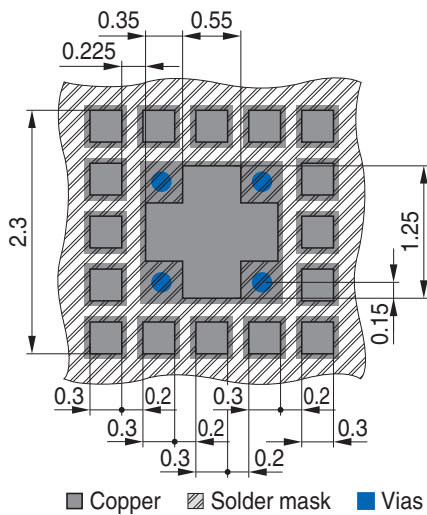
Soldering Type: Reflow Soldering

NSMD

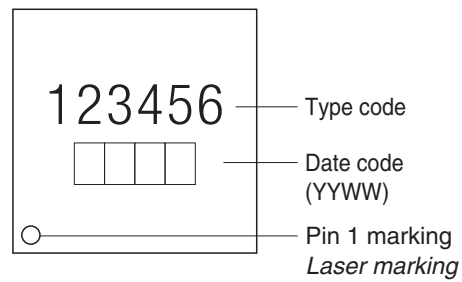


SMD - V1

SMD - V2 (e.g. BGA734L16)



Marking Layout



Tape and Reel

Reel ø180 mm: 7.500 Pieces/Reel
Reels/Box: 1

