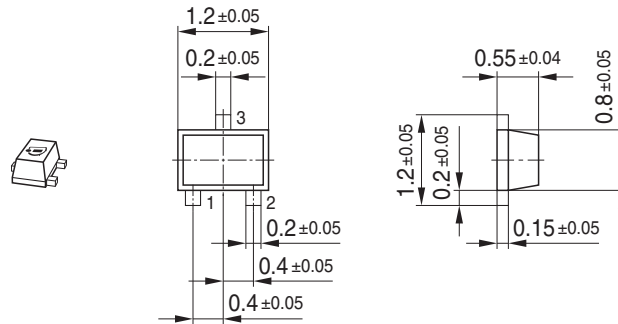
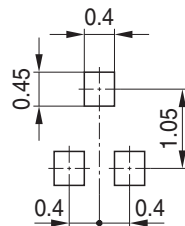


Package Outline

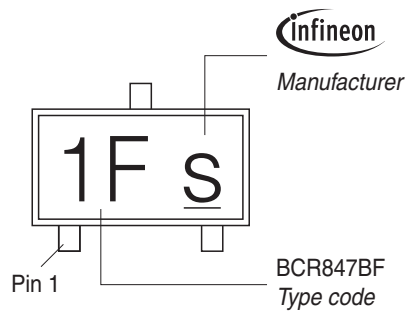


Foot Print

Soldering Type: Reflow Soldering



Marking Layout (Example)



Tape and Reel

Reel ø180 mm: 3.000 Pieces/Reel
 Reels/Box: 1 x 3.000 = 3.000
 Reels/Box: 10 x 3.000 = 30.000

Reel ø330 mm: 10.000 Pieces/Reel
 Reels/Box: 1 x 10.000 = 10.000

