

TLF50211EL

Buck Converter Core:
Reference-Design Board

16.07.2014



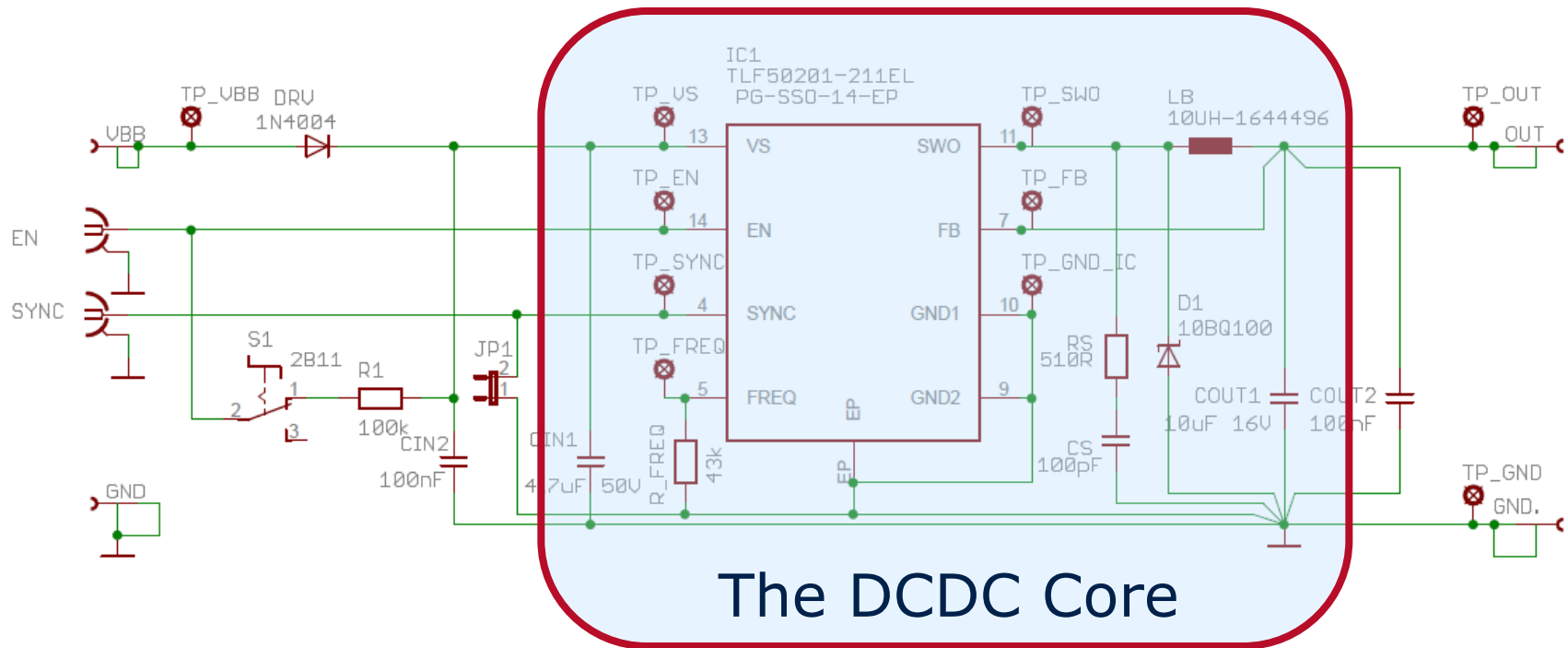
TLF50211EL Reference-Design Board Motivation




- Enables you to test the TLF50211EL in your application
- It is available in a 3 pin stand alone PCB
- It enables an easy replacement, test and fast prototyping
- It is equipped with a TLF50211EL with fixed output voltage (5 V)
- Reduces the design in efforts to a minimum

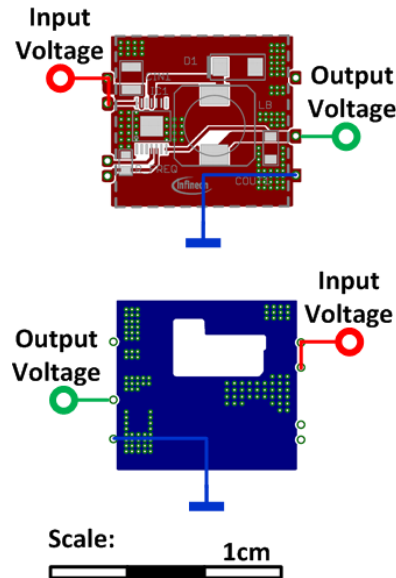
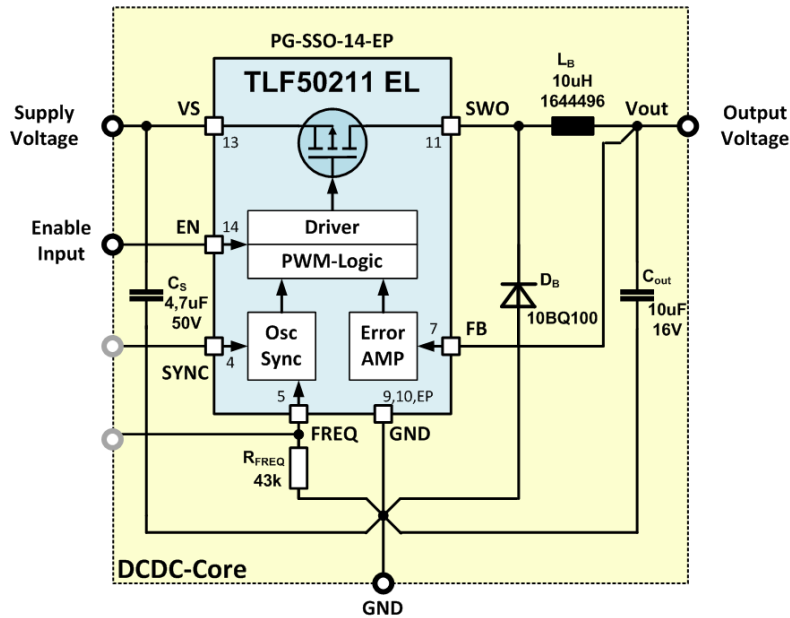
TLF50211EL Reference-Design Board

Buck Converter Core: A Small 3-pin PCB



The customer can very easily replace his present supply-IC (V-Reg or DCDC) by our TLF50211 on the  -PCB.

TLF50211EL Buck Converter Core: Reference-Design Board



**Open-heart surgery
example:**



**Replacement of a TO220
VREG
in an automotive
application**

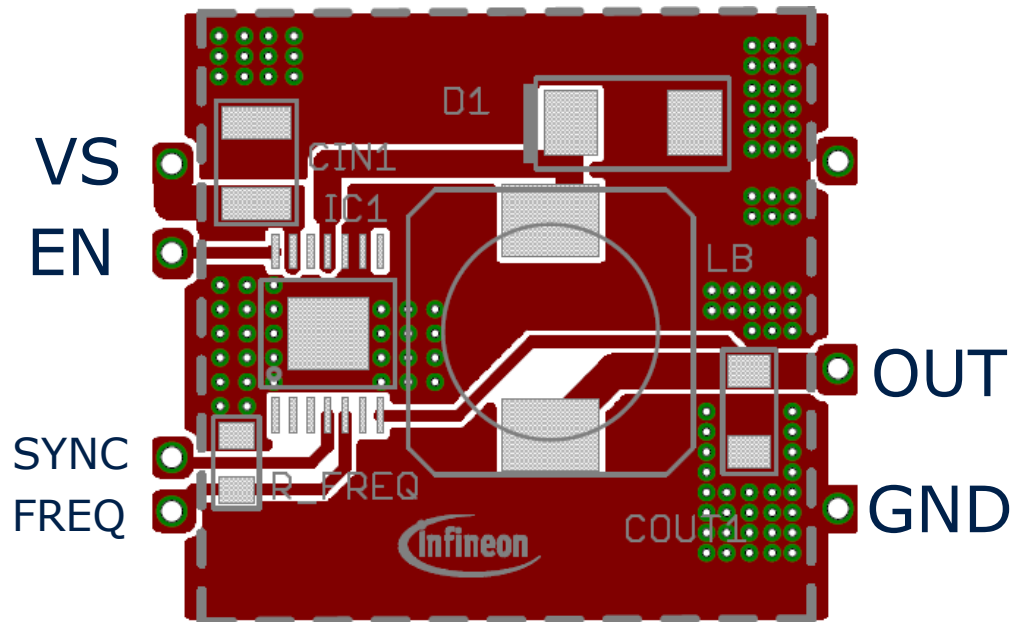
Ordering code: SP001254796

Gerber-File on request

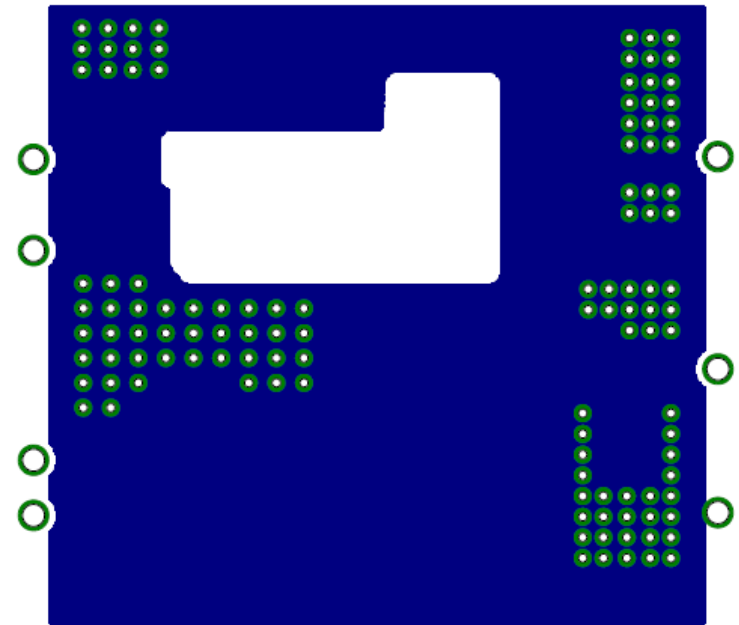
TLF50211EL Reference-Design Board Buck Converter Core: Layout Details



Top Layer



Bottom Layer





ENERGY EFFICIENCY MOBILITY SECURITY

Innovative semiconductor solutions for energy efficiency, mobility and security.

