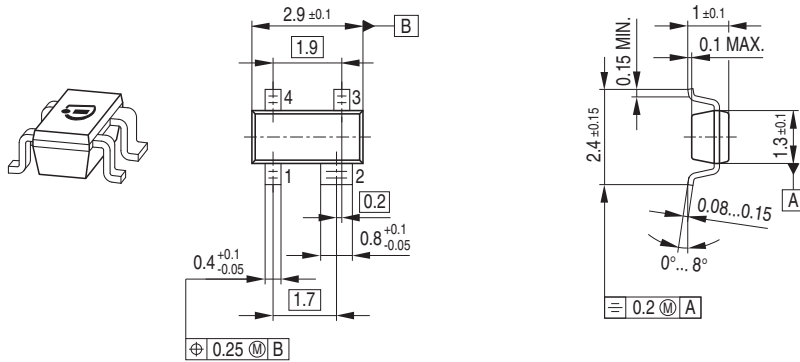


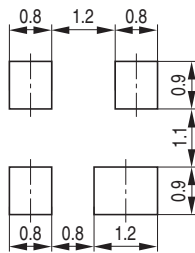
## Package Outline



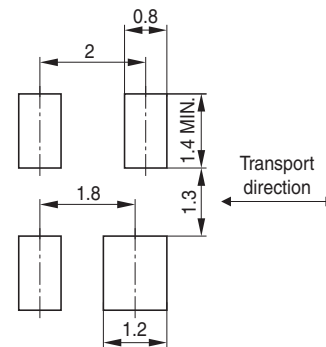
Note: Mold flash, protrusions or gate burrs of 0,2 mm max. per side are not included

## Foot Print

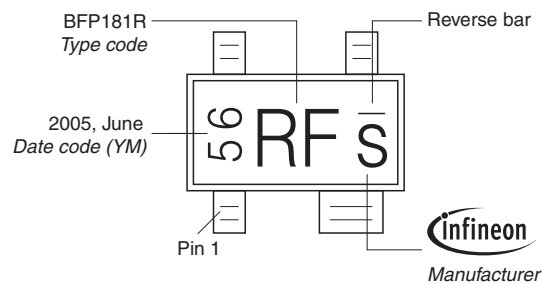
Soldering Type: Reflow Soldering



Soldering Type: Wave Soldering



## Marking Layout (Example)



## Tape and Reel

Reel  $\varnothing$ 180 mm: 3.000 Pieces/Reel  
 Reel  $\varnothing$ 330 mm: 10.000 Pieces/Reel

