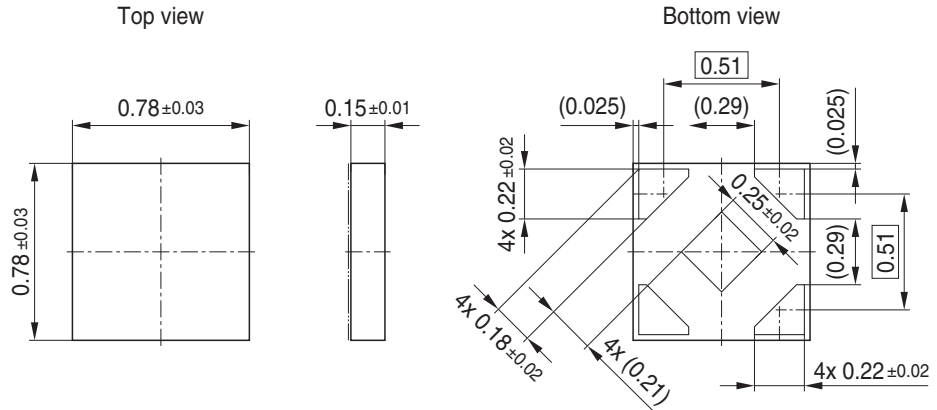
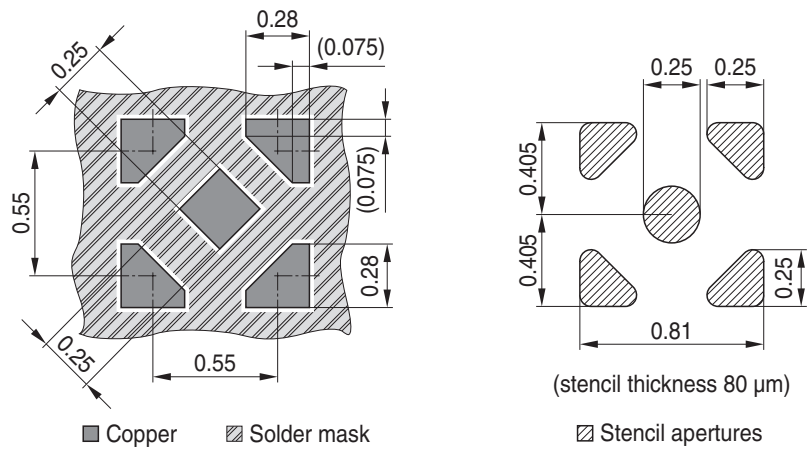


## Package Outline

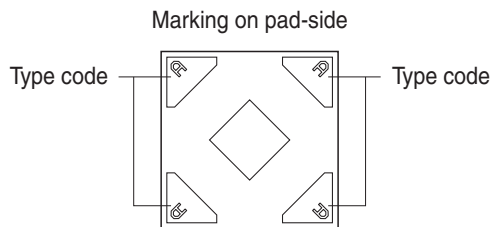


## Foot Print

Soldering Type: Reflow Soldering



## Marking Layout



## Tape and Reel

Reel  $\varnothing 180 \text{ mm}$ : 15.000 Pieces/Reel  
 Reels/Box: 1

