



TC1782 - AUDO MAX family

Automotive 32-bit TriCore™ Microcontroller

The TC1782 is the first member of the AUDO MAX family designed for automotive applications. It's 133/180 MHz award-winning TriCore™ CPU provides high-end microcontroller performance combined with sophisticated DSP capabilities. The on-chip FlexRay™ module with 2 channels provides a new level of network communication. A dedicated peripheral control processor (PCP) manages on-chip peripherals and relieves the TriCore™ from standard processing tasks. On top of this, a fast interrupt response time assures low latencies and low performance overhead for interrupt driven systems. Equipped with up to 2,5MByte of embedded flash and a total of up to 176 KByte RAM, the TC1782 is a high performance device offering best value for embedded real-time automotive applications. The device is positioned in the mid-range of the AUDO MAX product family that covers the complete range from the very high to the low end. The comprehensive tool support emphasizes the great scalability of the family products. In addition we will offer a Bare Die version of this product which focuses on transmission applications.

Applications

- Engine and transmission control
- 4-6 cylinder diesel or gasoline direct injection
- Double clutch transmission
- Hybrid and electric vehicle
- Suspension systems

Features

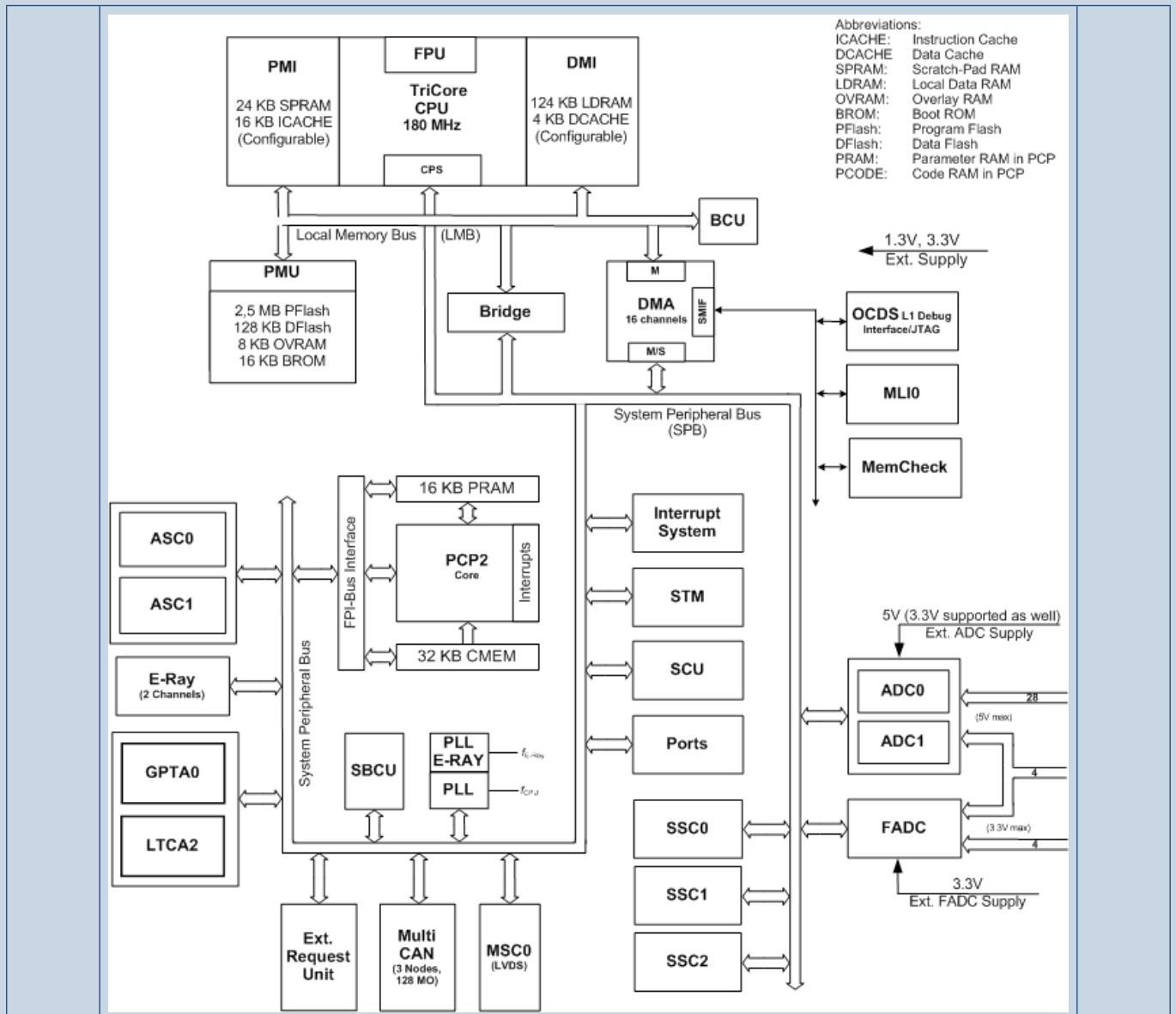
- High performance 32-bit super-scalar TriCore™ V1.3.1 CPU with 4 stage pipeline
 - 133/180MHz at full automotive temperature range
 - Superior real-time performance
 - Strong bit handling
 - Fully integrated DSP capabilities
 - Single precision floating point unit
- 32-bit Peripheral Control Processor with single cycle instruction (PCP2)
 - 48KByte on-chip SRAM

Features

- Memories:
 - 2,5MB embedded program flash with ECC
 - 128KByte data flash
 - 176KB on-chip SRAM
 - 4KB Data cache (configurable)
 - 16KB Instruction cache (configurable)
- 16 DMA channels
- General Purpose Timer Array and local timer cells with digital signal filters and timer functionality to realize complex I/O signalling (GPTA)
- FlexRay™ module with two channels
- Micro Second bus interface (MSC)
- 2 asynchronous/synchronous serial interfaces (ASC)
- 3 high speed synchronous serial interfaces (SSC)
- High-speed Micro Link Interface (MLI)
- MultiCAN module with 3 CAN nodes and 128 message objects
- 4 channel fast analog-to-digital converter
- 32 channel analog-to-digital converter (5/3,3V)
- On-chip debug support (OCDS)
- Dedicated emulation device chip for multicore debugging, tracing and calibration
- Core supply voltage 1,3V
- I/O voltage 3,3V
- Full automotive temperature range -40° to +125°C

TC1782 - AUDDO MAX family

Automotive 32-bit TriCore™ Microcontroller



TYPE	eFlash	DataFlash	Frequency	SRAM	Package	Temp. Range
SAK-TC1782-256F133HL	2,0MB	128KB*	133 MHz	156 KB	PG-LQFP176	-40...+125°C
SAK-TC1782-320F180HL	2,5MB	128KB*	180 MHz	176 KB	PG-LQFP176	-40...+125°C

*EEPROM emulation (up to 60k w/e cycles)

How to reach us:
<http://www.infineon.com>

Published by
 Infineon Technologies AG
 81726 Munich, Germany

© 2009 Infineon Technologies AG
 All Rights Reserved.

Legal Disclaimer The information given in this Product Brief shall in no event be regarded as a guarantee of conditions or characteristics. With respect to any examples or hints given herein, any typical values stated herein and/or any information regarding the application of the device, Infineon Technologies hereby disclaims any and all warranties and liabilities of any kind, including without limitation, warranties of non-infringement of intellectual property rights of any third party.

Information For further information on technology, delivery terms and conditions and prices, please contact the nearest Infineon Technologies Office (www.infineon.com).

Warnings Due to technical requirements, components may contain dangerous substances. For information on the types in question, please contact the nearest Infineon Technologies Office. Infineon Technologies components may be used in life-support devices or systems only with the express written approval of Infineon Technologies, if a failure of such components can reasonably be expected to cause the failure of that life-support device or system or to affect the safety or effectiveness of that device or system. Life support devices or systems are intended to be implanted in the human body or to support and/or maintain and sustain and/or protect human life. If they fail, it is reasonable to assume that health of the user or other persons may be endangered.