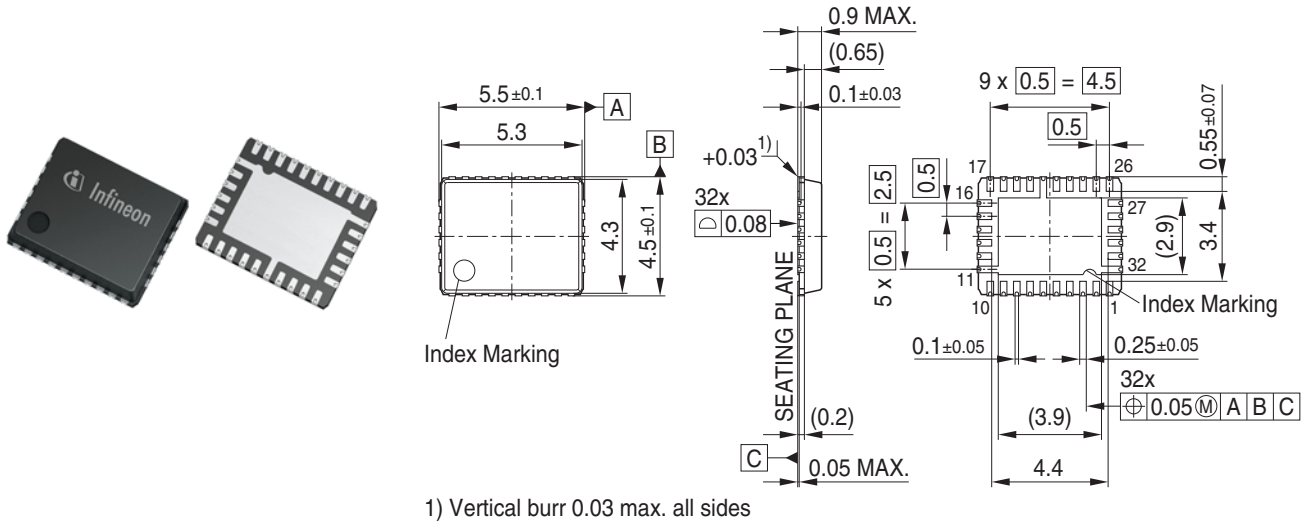
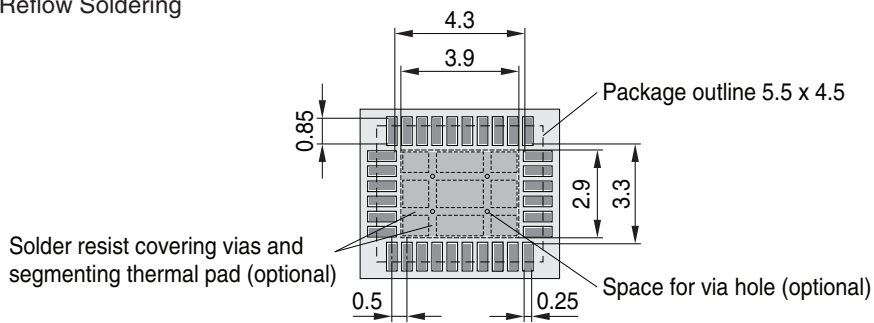


Package Outline

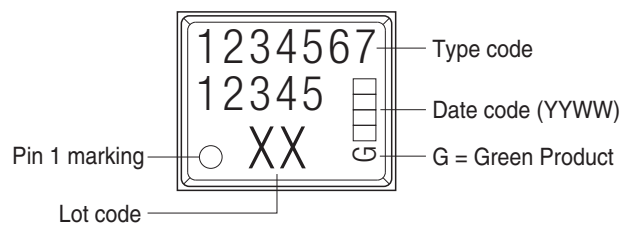


Foot Print

Soldering Type: Reflow Soldering



Marking Layout



Tape and Reel

Reel \varnothing 330 mm: 3.000 Pieces/Reel
 Reels/Box: 1 x 3.000 = 3.000

