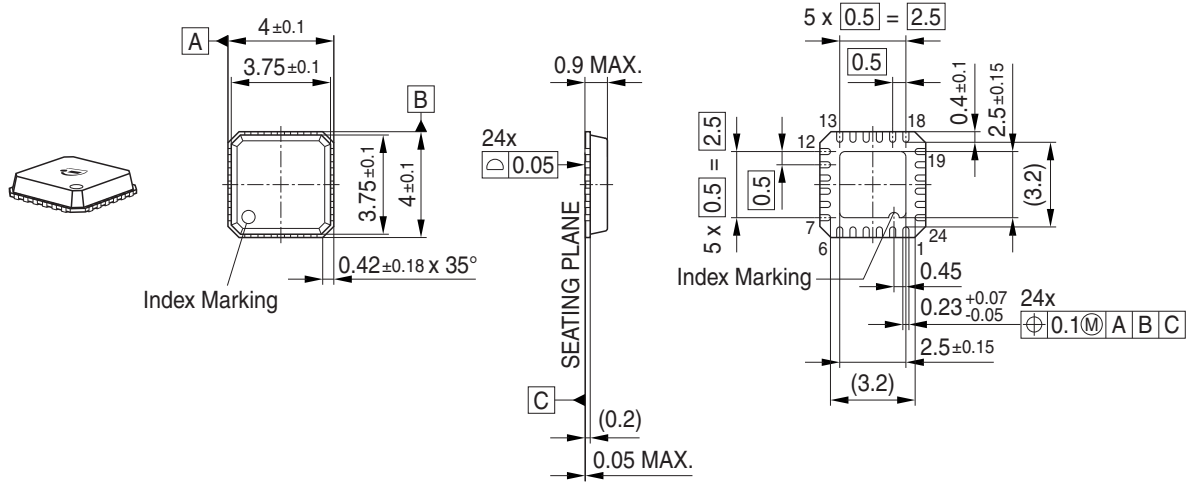
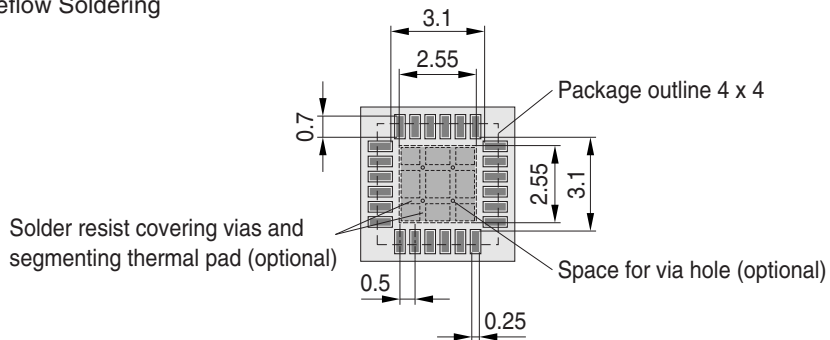


## Package Outline

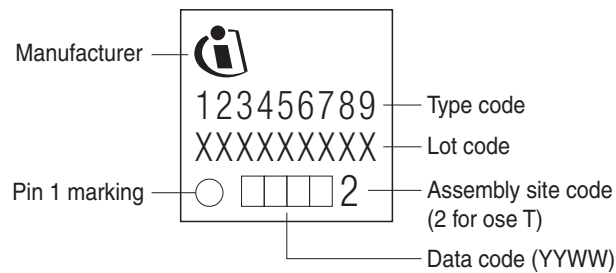


## Foot Print

Soldering Type: Reflow Soldering



## Marking Layout



## Tape and Reel

Reel  $\varnothing 330 \text{ mm}$ : 6.000 Pieces/Reel  
 Reels/Box: 1 x 6.000 = 6.000

