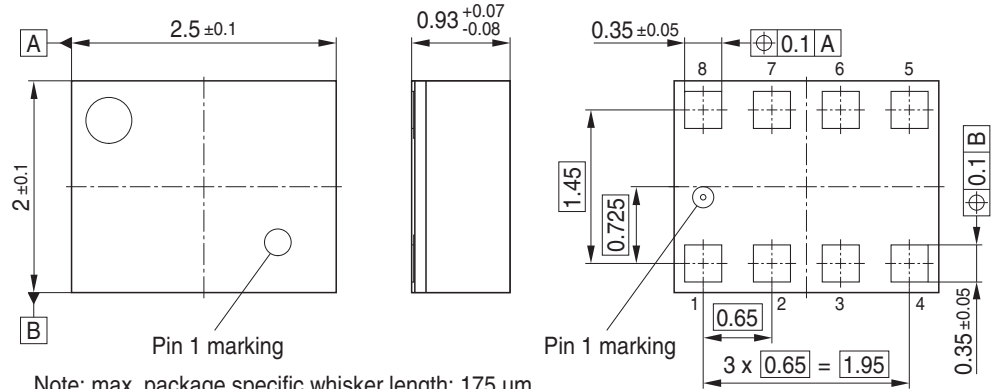
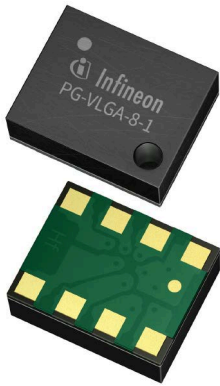


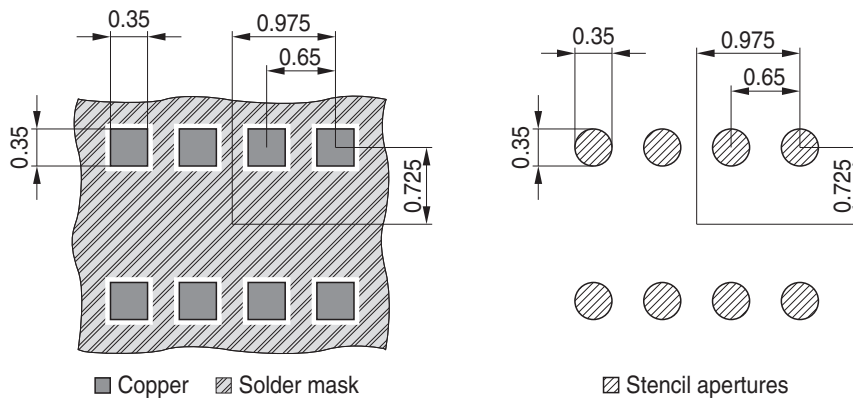
Package Outline



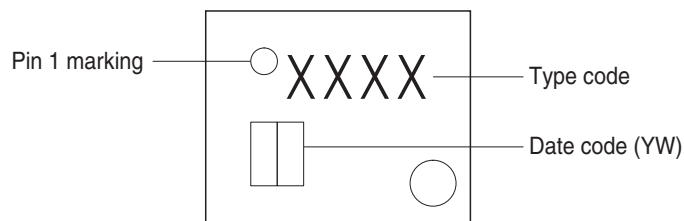
Note: max. package specific whisker length: 175 μ m
visual marking in one corner of the package-lid

Foot Print

Soldering Type: Reflow Soldering



Marking Layout



Tape and Reel

Reel \varnothing 180 mm: 2.500 Pieces/Reel

