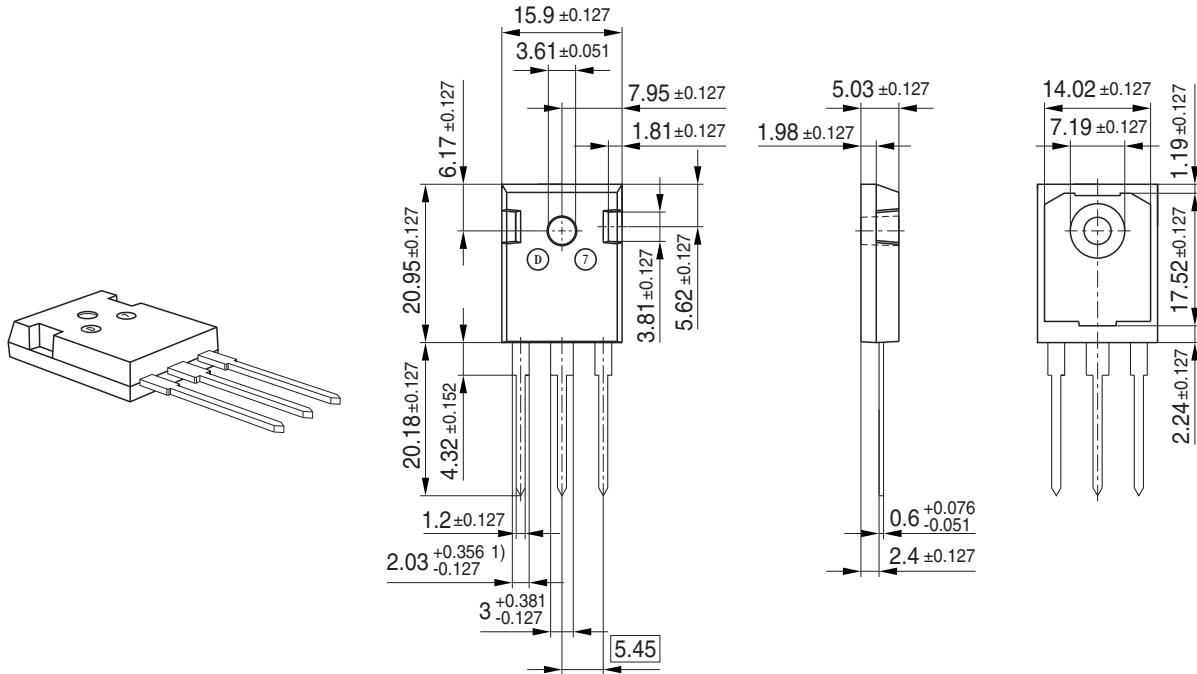
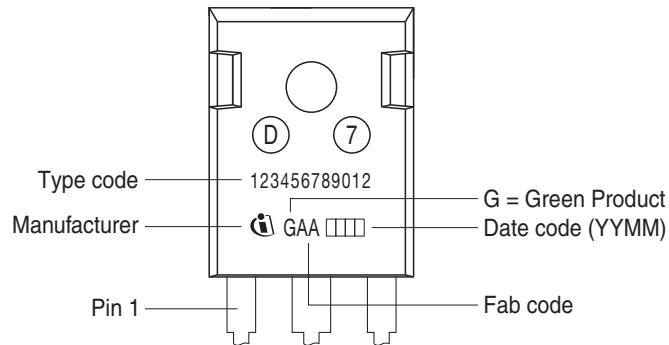


Package Outline



1) Tolerance inclusive of shoulder width protrusion

Marking Layout



Tube

on demand