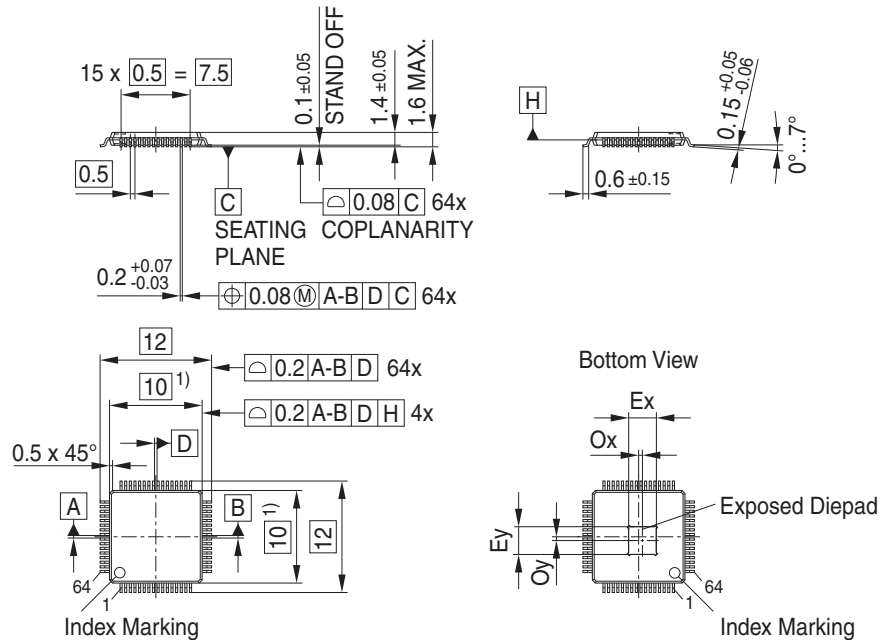
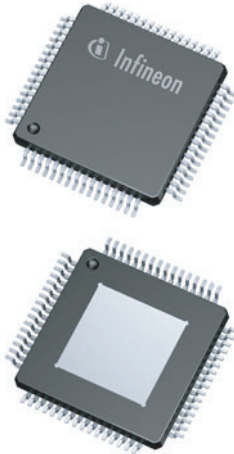


## Package Outline

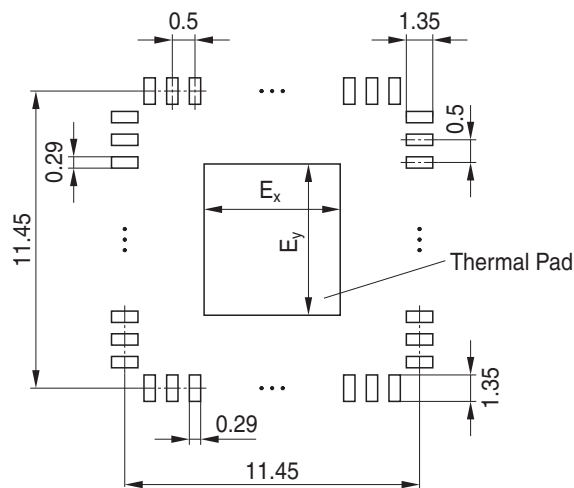


1) Does not include plastic or metal protrusion of 0.25 max. per side

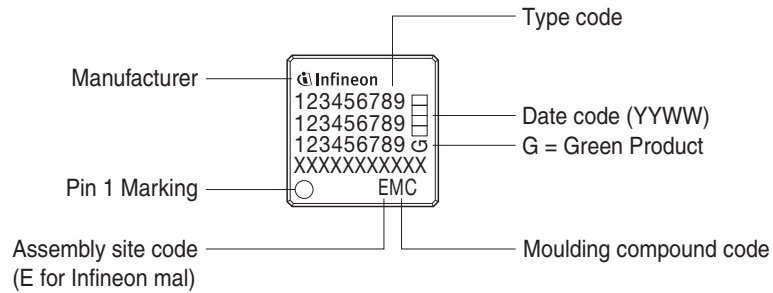
| Exposed Diepad Dimensions |                   |     |     |    |    |
|---------------------------|-------------------|-----|-----|----|----|
| Package                   | Leadframe         | Ex  | Ey  | Ox | Oy |
| PG-LQFP-64-8              | C66065-A6866-C005 | 5   | 5   | 0  | 0  |
| PG-LQFP-64-6              | C66065-A6866-C013 | 5.6 | 5.6 | 0  | 0  |
| PG-LQFP-64-12             | C66065-A6866-C018 | 4   | 4   | 0  | 0  |
| PG-LQFP-64-6, -22         | C66065-A6866-C019 | 5.4 | 5.4 | 0  | 0  |
| PG-LQFP-64-19             | C66065-A6866-C020 | 5.8 | 5.8 | 0  | 0  |

## Foot Print

Soldering Type: Reflow Soldering



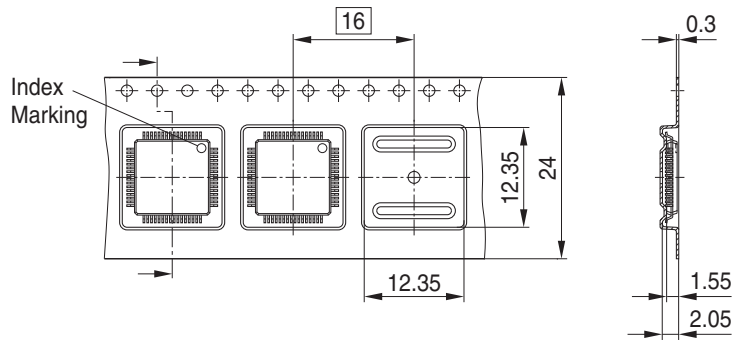
## Marking Layout



## Tape and Reel

Reel  $\varnothing$ 330 mm: 1.900 Pieces/Reel

Reels/Box: 1



## Bakable Tray

Pieces/Tray: 160

Trays/Box: 1; 6

