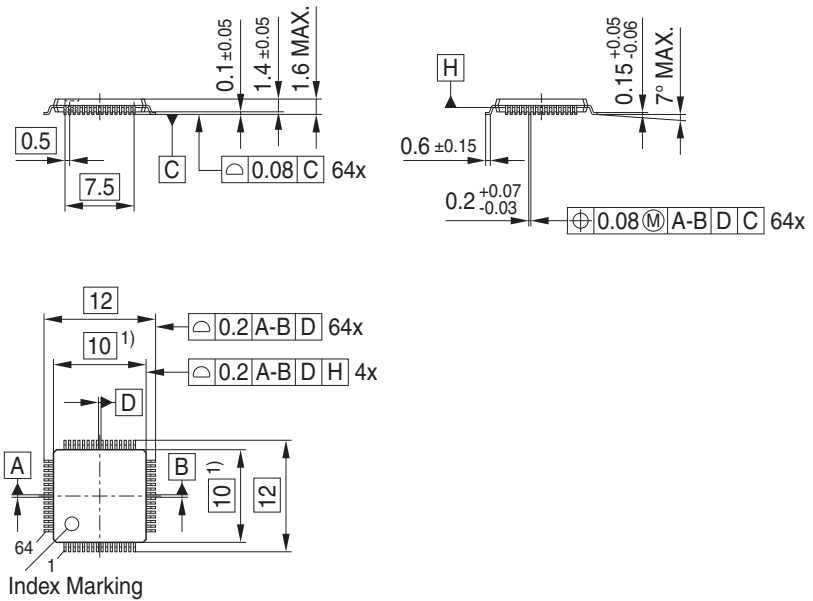


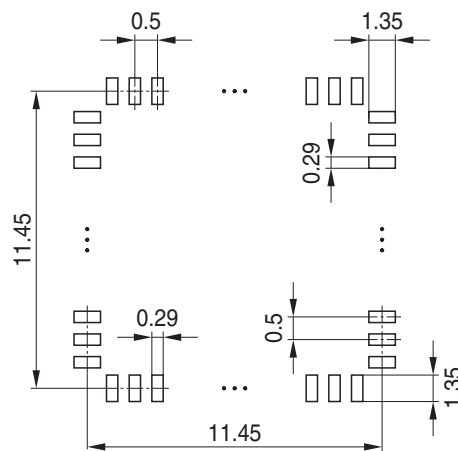
## Package Outline



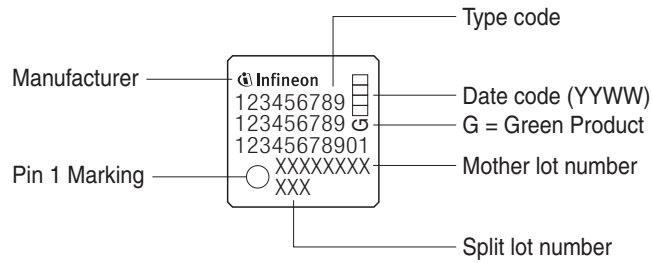
1) Does not include plastic or metal protrusion of 0.25 max. per side

## Foot Print

Soldering Type: Reflow Soldering



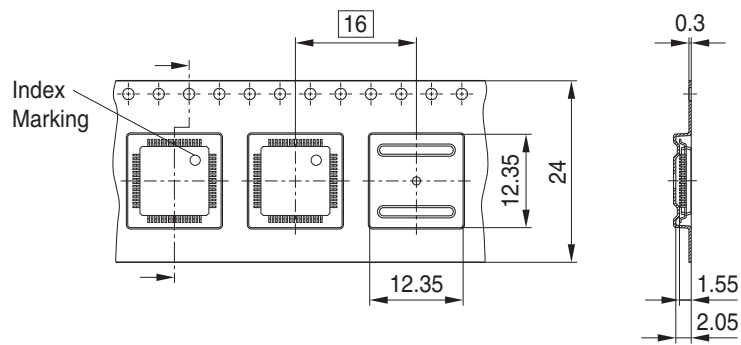
## Marking Layout



## Tape and Reel

Reel ø330 mm: 1.900 Pieces/Reel

Reels/Box: 1



## Bakable Tray

Pieces/Tray: 160

Trays/Box: 1; 6

