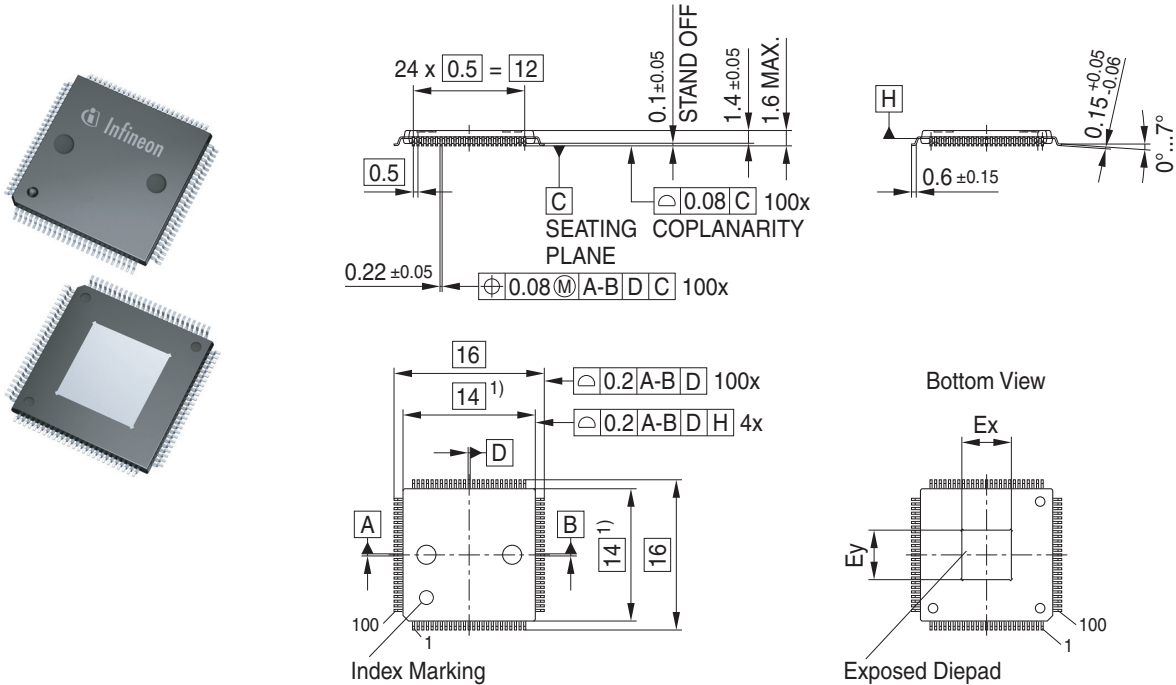


Package Outline

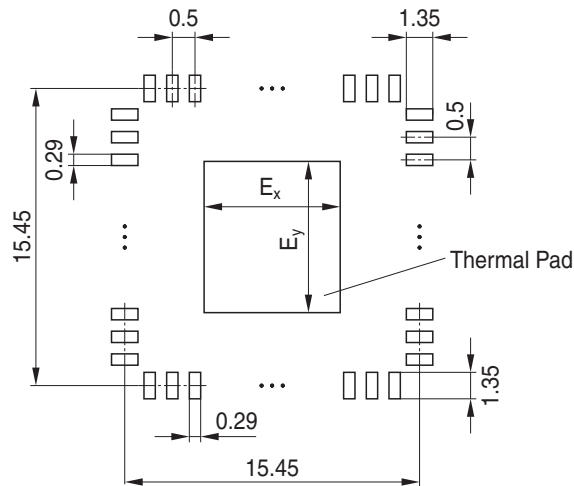


1) Does not include plastic or metal protrusion of 0.25 max. per side

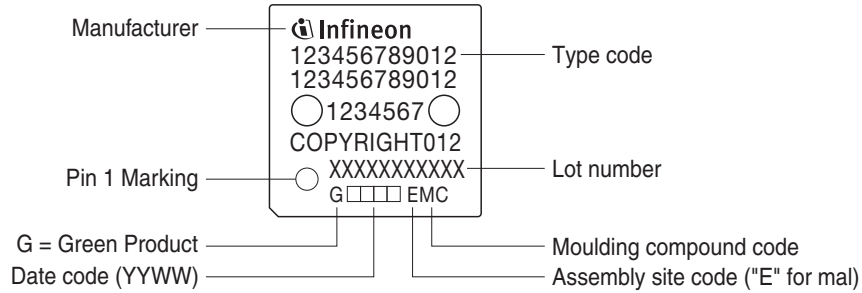
| Exposed Diepad Dimensions | | | | Exposed Diepad Dimensions | | | |
|---------------------------|-------------------|-----|-----|---------------------------|-------------------|-----|-----|
| Package | Leadframe | Ex | Ey | Package | Leadframe | Ex | Ey |
| PG-LQFP-100-4 | C66065-A6837-C007 | 4.8 | 4.8 | PG-LQFP-100-8 | C66065-A6837-C021 | 7.5 | 7.5 |
| PG-LQFP-100-3, -8 | C66065-A6837-C009 | 6.2 | 6.2 | PG-LQFP-100-3, -8 | C66065-A6837-C022 | 6.2 | 6.2 |
| PG-LQFP-100-3, -8 | C66065-A6837-C015 | 5.2 | 5.2 | PG-LQFP-100-3, -8 | C66065-A6837-C023 | 5.2 | 5.2 |
| PG-LQFP-100-3, -8 | C66065-A6837-C020 | 6.2 | 6.2 | PG-LQFP-100-11 | C66065-A6837-C024 | 7 | 7 |

Foot Print

Soldering Type: Reflow Soldering



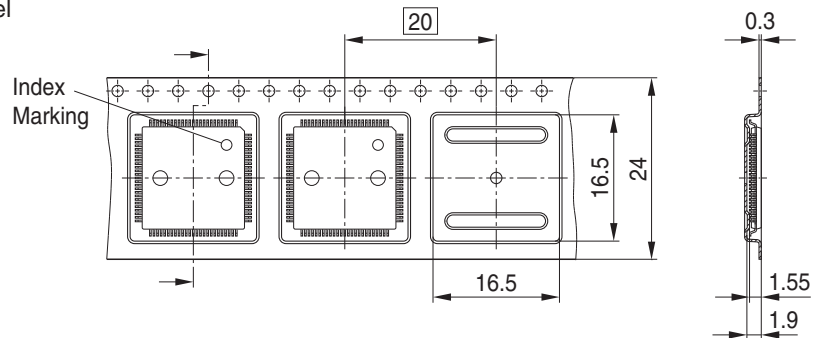
Marking Layout



Tape and Reel

Reel ø330 mm: 1.000 Pieces/Reel
 Reels/Box: 1

Reel ø330 mm: 1.400 Pieces/Reel
 Reels/Box: 1



Bakable Tray

Pieces/Tray: 90
 Trays/Box: 1; 5; 6

