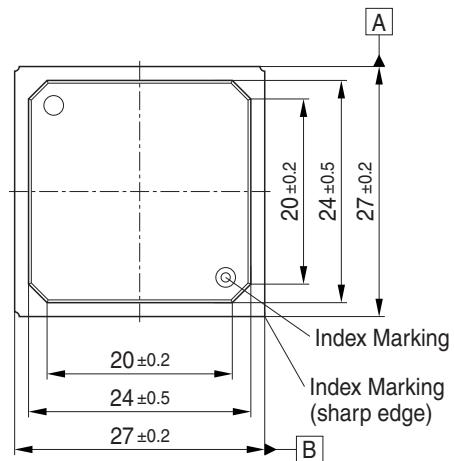
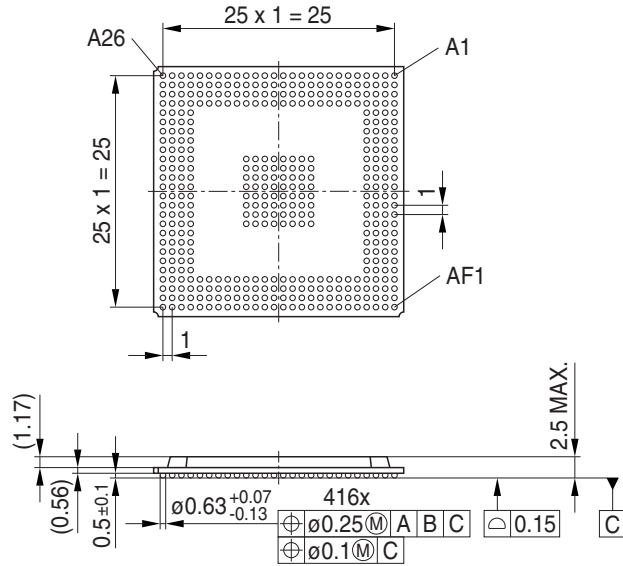
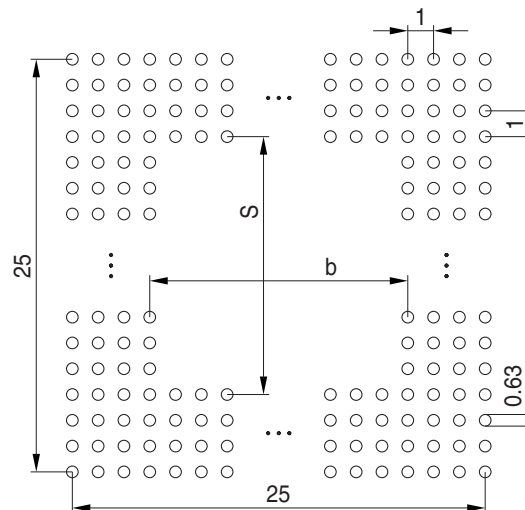


Package Outline

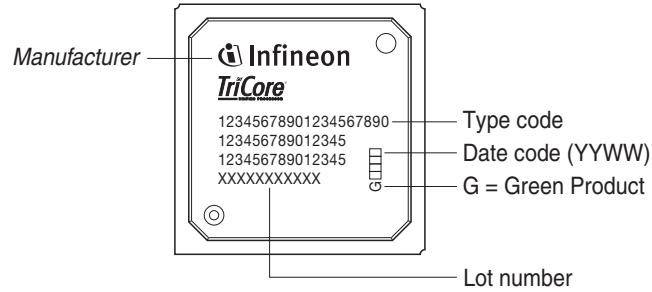


Foot Print

Soldering Type: Reflow Soldering

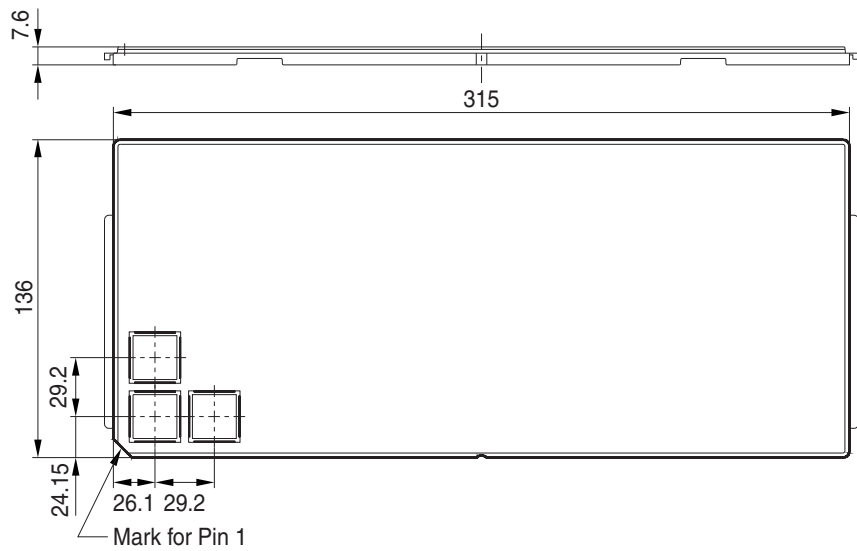


Marking Layout



Bakable Tray (Dry)

Pieces/Tray: 40
Trays/Box: 1 x 40 = 40
6 x 40 = 240



Tape and Reel (Dry)

Reel ϕ 330 mm: 500 Pieces/Reel
Reels/Box: 1 x 500 = 500

