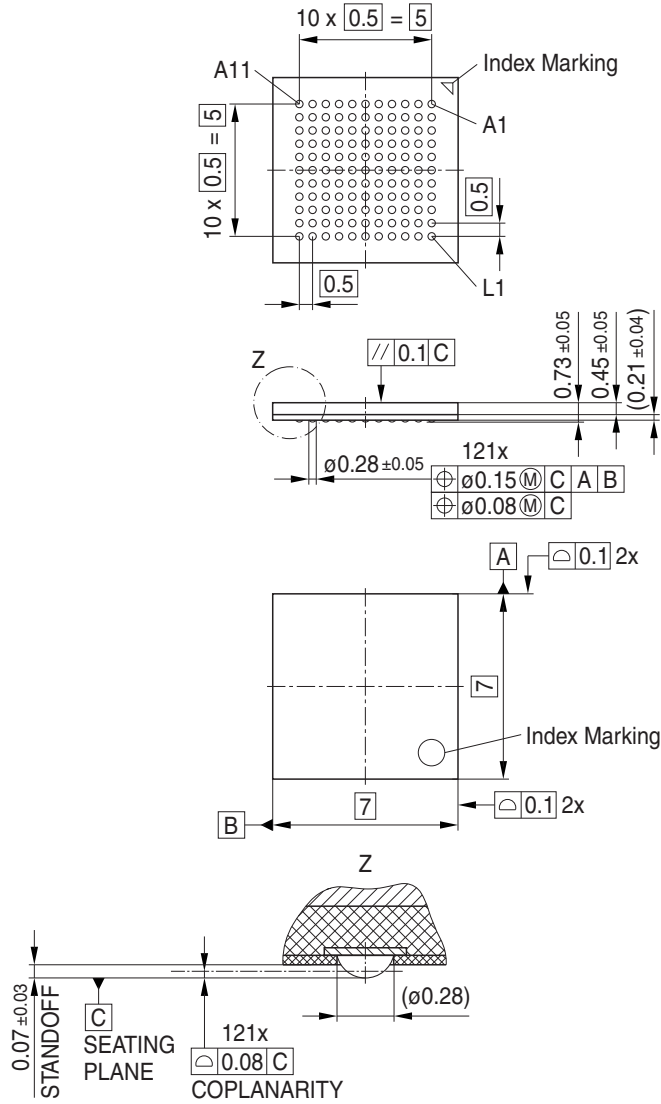
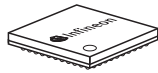


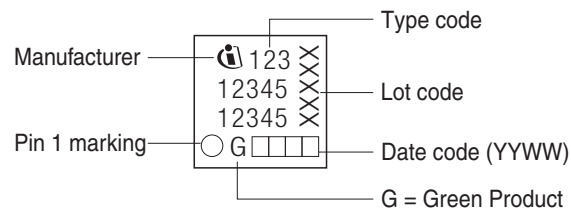
## Package Outline



## Foot Print

on demand

## Marking Layout



## Tape and Reel

Reel  $\varnothing$ 330 mm: 1.500 Pieces/Reel  
 Reels/Box: 1

