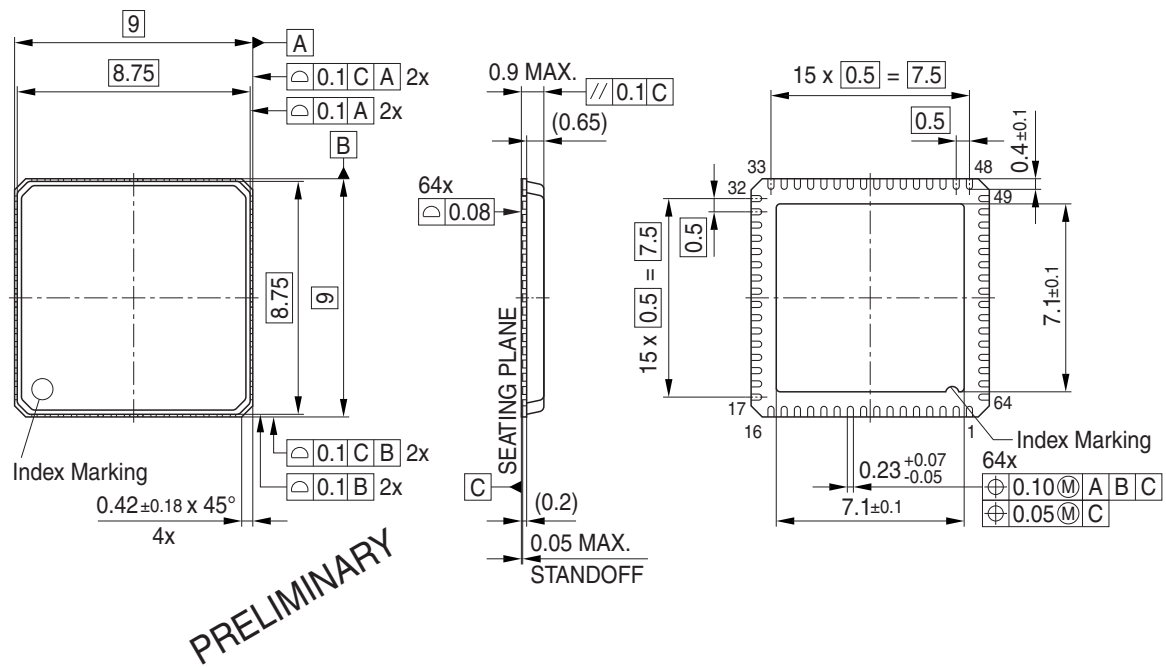
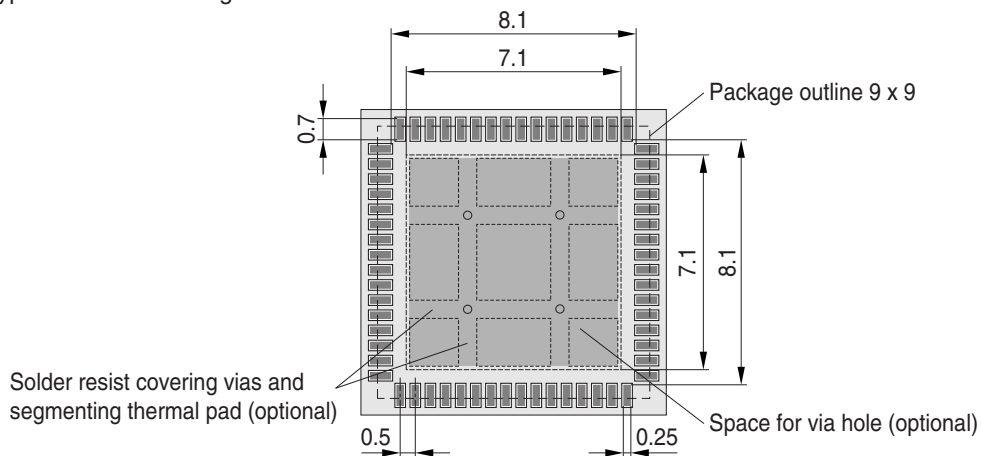


## Package Outline

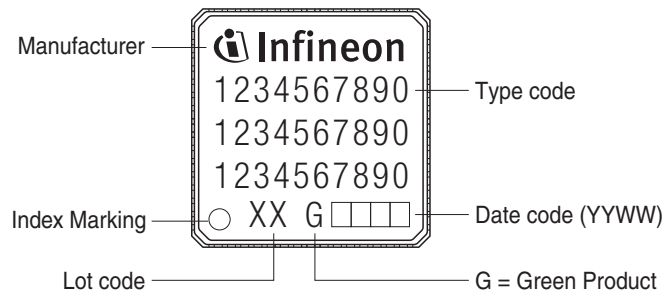


## Foot Print

Soldering Type: Reflow Soldering



## Marking Layout



## Tape and Reel

Reel ø330 mm: 2.000 Pieces/Reel  
 Reels/Box: 1

