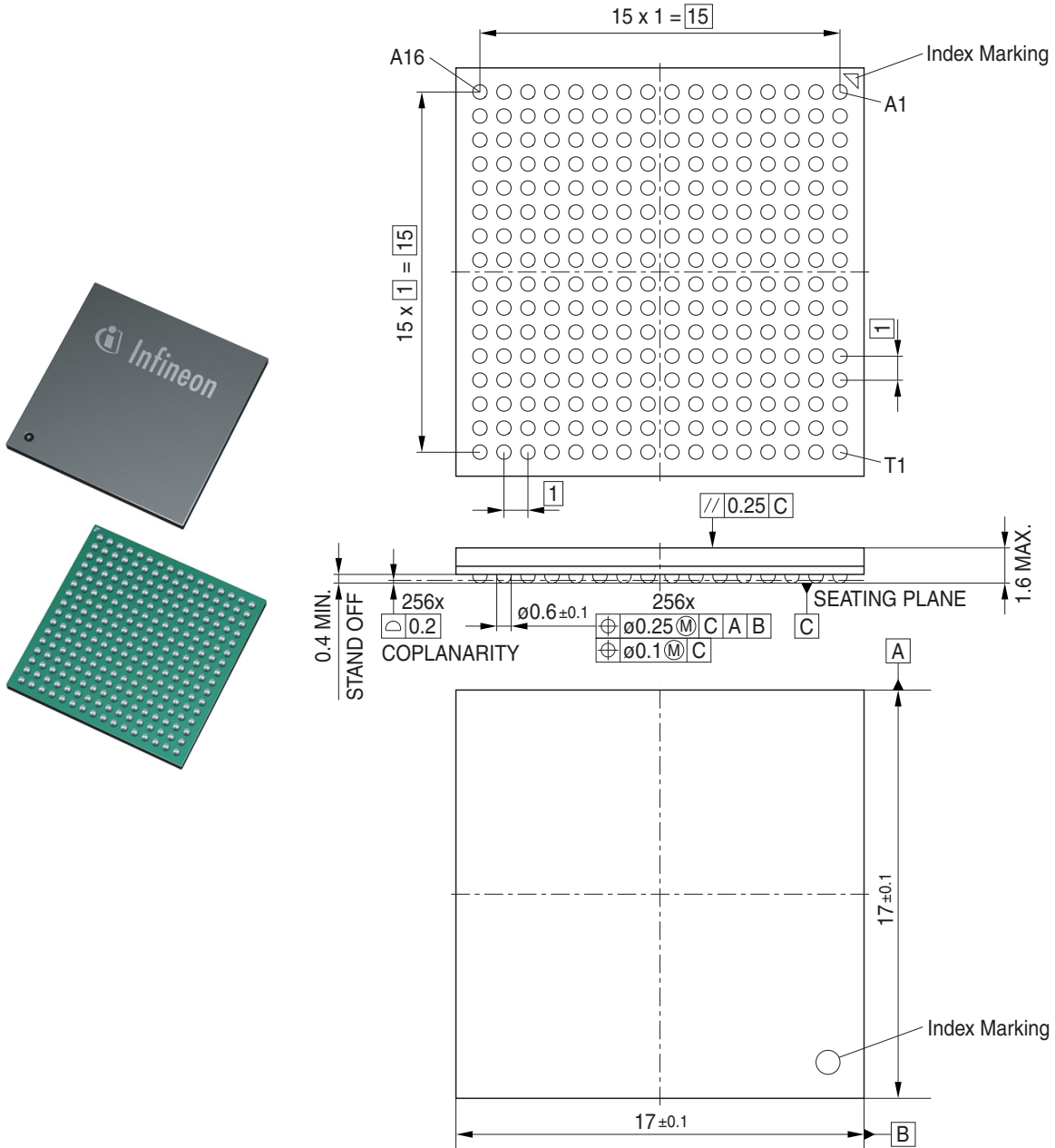


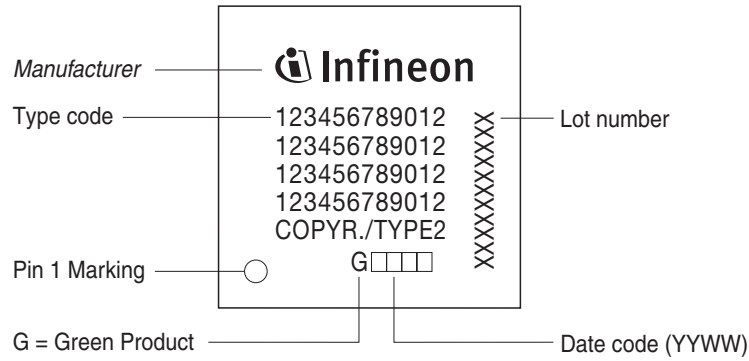
## Package Outline



## Foot Print

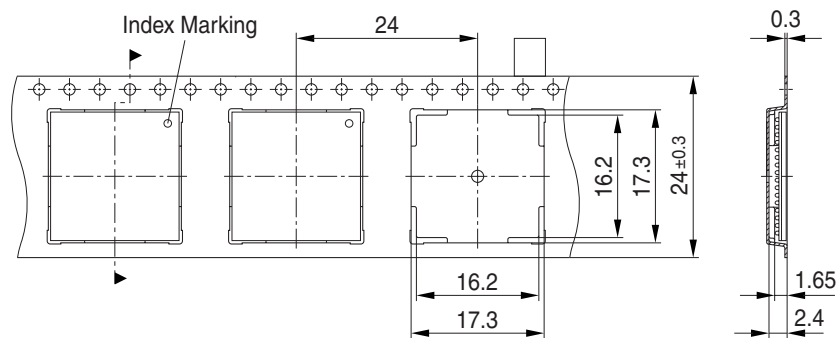
on demand

## Marking Layout



## Tape and Reel

Reel  $\phi$ 330 mm: 1.000 Pieces/Reel  
Reels/Box: 1



## Bakable Tray

Pieces/Tray: 90  
Trays/Box: 1; 6

