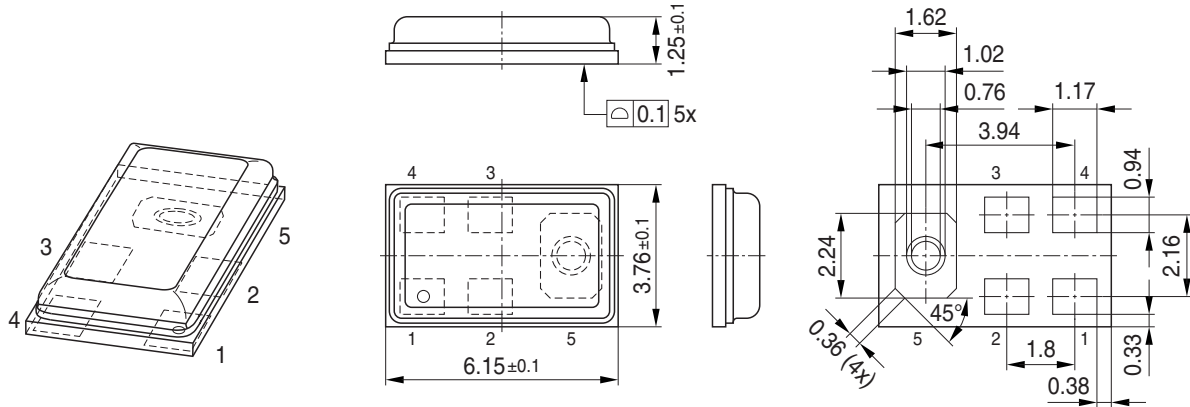
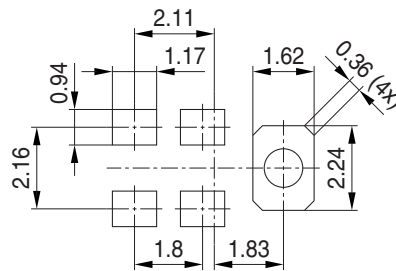


## Package Outline

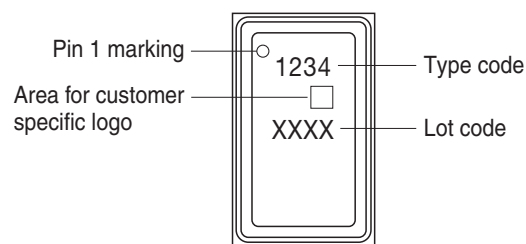


## Foot Print

Soldering Type: Reflow Soldering



## Marking Layout



## Tape and Reel

Reel  $\phi$ 330 mm: 4.000 Pieces/Reel  
Reels/Box: 1 x 4.000 = 4.000

