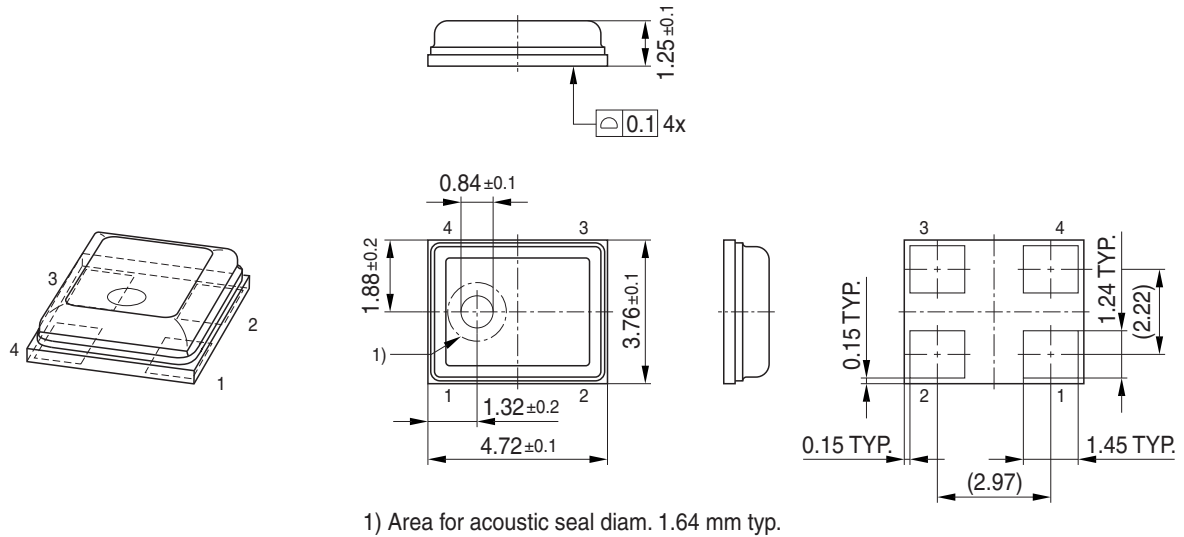
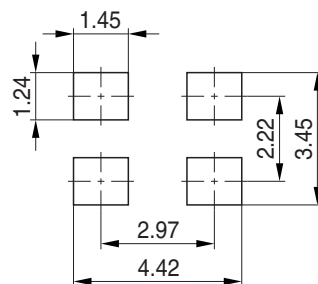


Package Outline

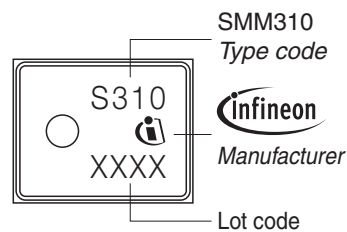


Foot Print

Soldering Type: Reflow Soldering



Marking Layout (Example)



Tape and Reel

Reel \varnothing 330 mm: 4.000 Pieces/Reel
Reel/Box: 1 x 4.000 = 4.000

