



ISOFACE™

Galvanic Isolated 8-Channel High-Side Switches for Industrial Control Applications

The ISO1H81xG product family integrates

- Robust galvanic isolation (UL508 and EN 61131-2 certified) to protect the 3.3V/5V control domain of an industrial control system from the harsh 24V (typ.) process side
- 8-channel high-side power-switching capabilities of up to 1.2A per channel
- Active current limitation and over temperature protection
- Common diagnostic feedback for over temperature and for V_{bb} under-voltage

The ISO1H81xG family offers parallel and serial 3.3V/5V μ C-interfaces, facilitating straight forward connection with virtually any μ C, μ P, ASIC or FPGA.

The ISO1H81xG products enable OEM-product designs which meet the stringent EMI requirements of the IEC 61131-2 norm (zone C) applicable for Programmable Logical Controllers (PLC).

Application Examples

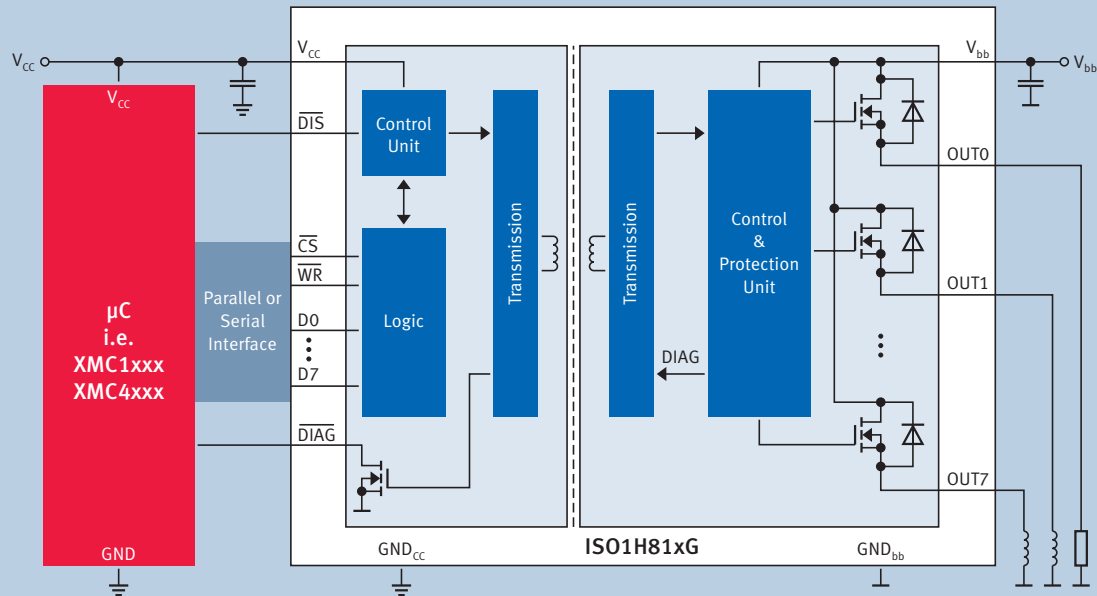
- Programmable Logic Controllers (PLCs)
- Distributed Control Systems
- General Control Equipment
- Robotics
- Solid-State Relay

Product Family Overview		ISO1H811G	ISO1H812G	ISO1H815G	ISO1H816G
Switch	V_{bb} operational range: 11V to 35V	✓	✓	✓	✓
	Max. continuous load current per channel	0.6A	0.6A	1.2A	1.2A
	Load current increase by using outputs in parallel	✓	✓	✓	✓
	Inductive clamping energy per channel: 1Joule	✓	✓	✓	✓
μ C Interface	Type	parallel	serial	parallel	serial
	Nominal voltages	3.3V / 5V	3.3V / 5V	3.3V / 5V	3.3V / 5V
Safety Features	Isolation voltage: $V_{ISO} = 500V$, UL508 & EN 61131-2 certified	✓	✓	✓	✓
	Active current limitation	✓	✓	✓	✓
	Thermal shut-down	✓	✓	✓	✓
	Common output disable pin	✓	✓	✓	✓
Diagnostics Feedback	Over-temperature	✓	✓	✓	✓
	V_{bb} under-voltage	✓	✓	✓	✓
Package DSO-36 (16 x 14mm)		✓	✓	✓	✓
Infineon Ordering Code		SP000413798	SP000413800	SP000555576	SP000555578

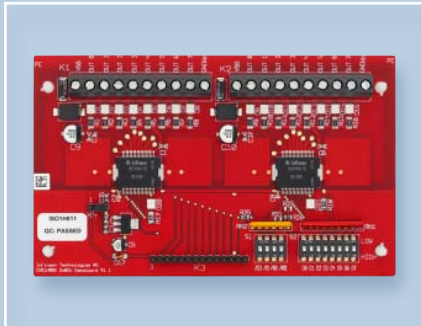
ISOFACE™

Galvanic Isolated 8-Channel High-Side Switches for Industrial Control Applications

Block Diagram



Evaluation Board



Evaluation Boards

- ISO1H811G-EVAL SP000788824
- ISO1H812G-EVAL SP000788826
- ISO1H815G-EVAL SP000788828
- ISO1H816G-EVAL SP000788830

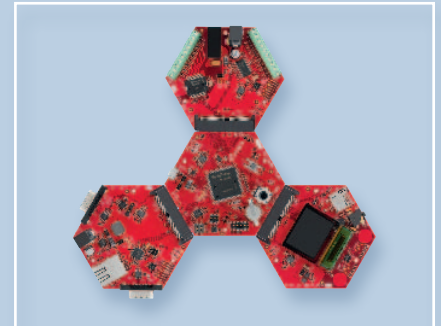
Reference Design Board



Reference Design Board containing

- ISO1H812G (Digital Out) and
 - ISO1813T (Digital In)
- SP001074052

Industrial Automation Kit



Microcontroller XMC4500:

- 120MHz, 1MByteFlash, 160kB SRAM and ISOFACE™
- ISO1H812G (Digital Out)
 - ISO1811T (Digital In)
- SP000963318

Published by
Infineon Technologies AG
85579 Neubiberg, Germany

© 2013 Infineon Technologies AG.
All Rights Reserved.

Visit us:
www.infineon.com

Order Number: B121-H9782-X-X-7600
Date: 02 / 2013

ATTENTION PLEASE!

The information given in this document shall in no event be regarded as a guarantee of conditions or characteristics ("Beschaffenheitsgarantie"). With respect to any examples or hints given herein, any typical values stated herein and/or any information regarding the application of the device, Infineon Technologies hereby disclaims any and all warranties and liabilities of any kind, including without limitation warranties of non-infringement of intellectual property rights of any third party.

INFORMATION

For further information on technology, delivery terms and conditions and prices please contact your nearest Infineon Technologies Office (www.infineon.com).

WARNINGS

Due to technical requirements components may contain dangerous substances. For information on the types in question please contact your nearest Infineon Technologies Office. Infineon Technologies Components may only be used in life-support devices or systems with the express written approval of Infineon Technologies, if a failure of such components can reasonably be expected to cause the failure of that life-support device or system, or to affect the safety or effectiveness of that device or system. Life support devices or systems are intended to be implanted in the human body, or to support and/or maintain and sustain and/or protect human life. If they fail, it is reasonable to assume that the health of the user or other persons may be endangered.