

Interface Tool for Alternator Control ICs

Easy and convenient Design-In and Debugging

04.06.2013

Robert Hartmann (IFX ATV PTS SDACE)



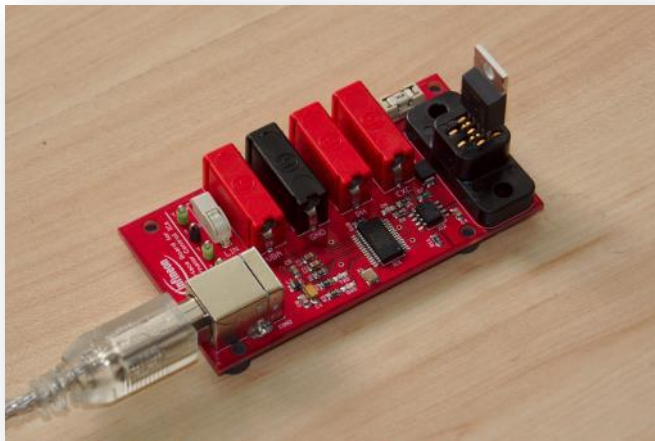
confidential

- IFX decides to provide a reliable and handy programming board to its customers
 - Fast design-in
 - Easy NVM programming
 - Strong customer support
- The decision to bundle board+software into one tool should lead to *global and fast support*
 - Guarantee no failures of connecting IC interface
 - Neglect mistakes in programming sequence
 - Get in touch with the IC as fast as possible
- Overall:
Quick and convenient workflow to catch the project milestones

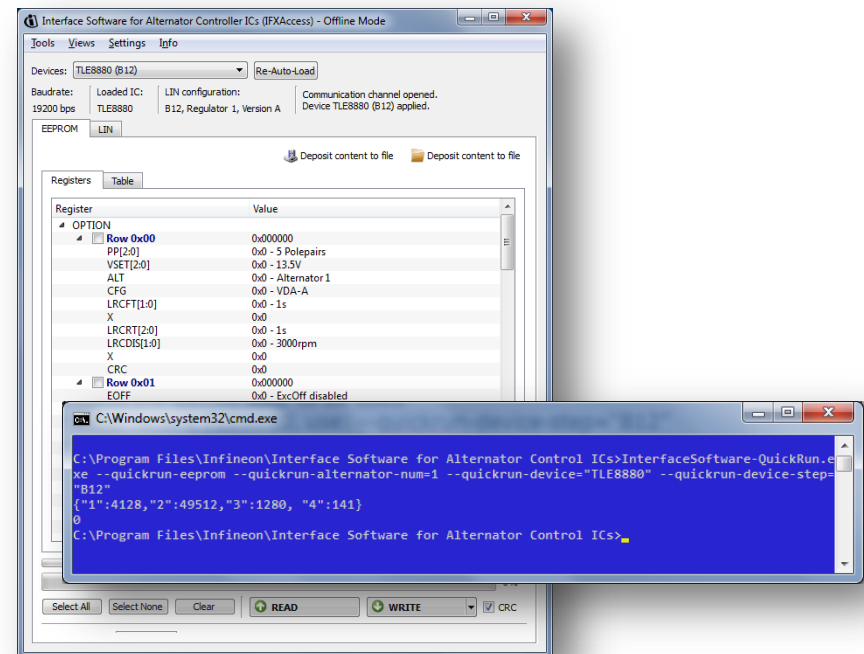
Interface Tool Bundle

Interface Tool for Alternator Control ICs

1. Interface Board



2. Interface Software



EEPROM

- Read-out EEPROM content
- Write EEPROM map
- Change specific bits
- Mapping for all EEPROM bits including descriptions

Use a
Graphical User Interface
to modify the NVM

LIN

- Mapping for all LIN RX/TX frames
- Send single frames with desired content
- Send frames in the loop
- Merge a set of frames into a sequence batch

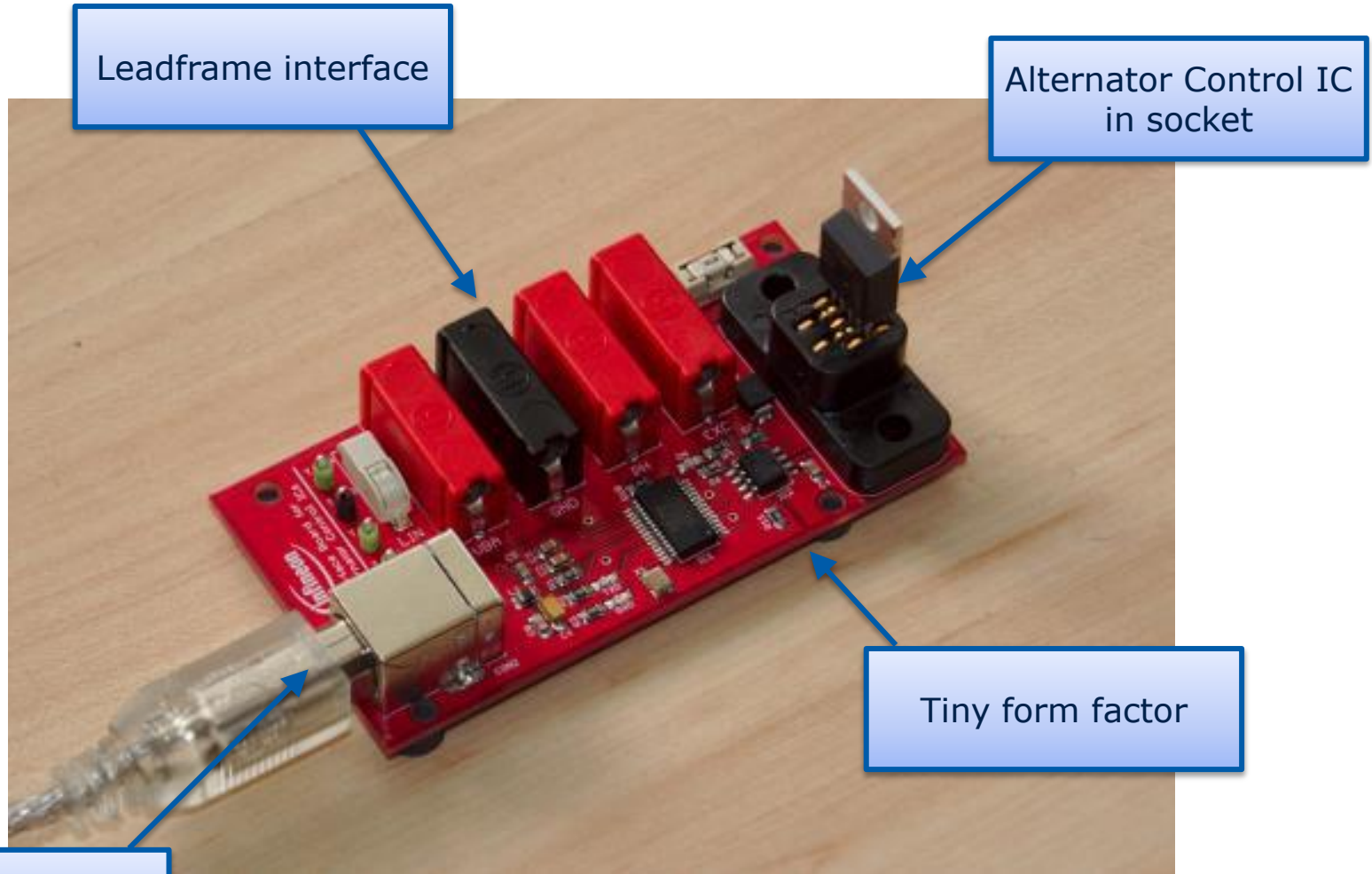
Use a
Graphical User Interface
to send LIN frames

Automation

- Command line tool for automation processes
- Trigger EEPROM write/read-out and get the result
- Trigger LIN batch

Use a
Command Line mode
to automate

Interface Board Overview



Leadframe interface

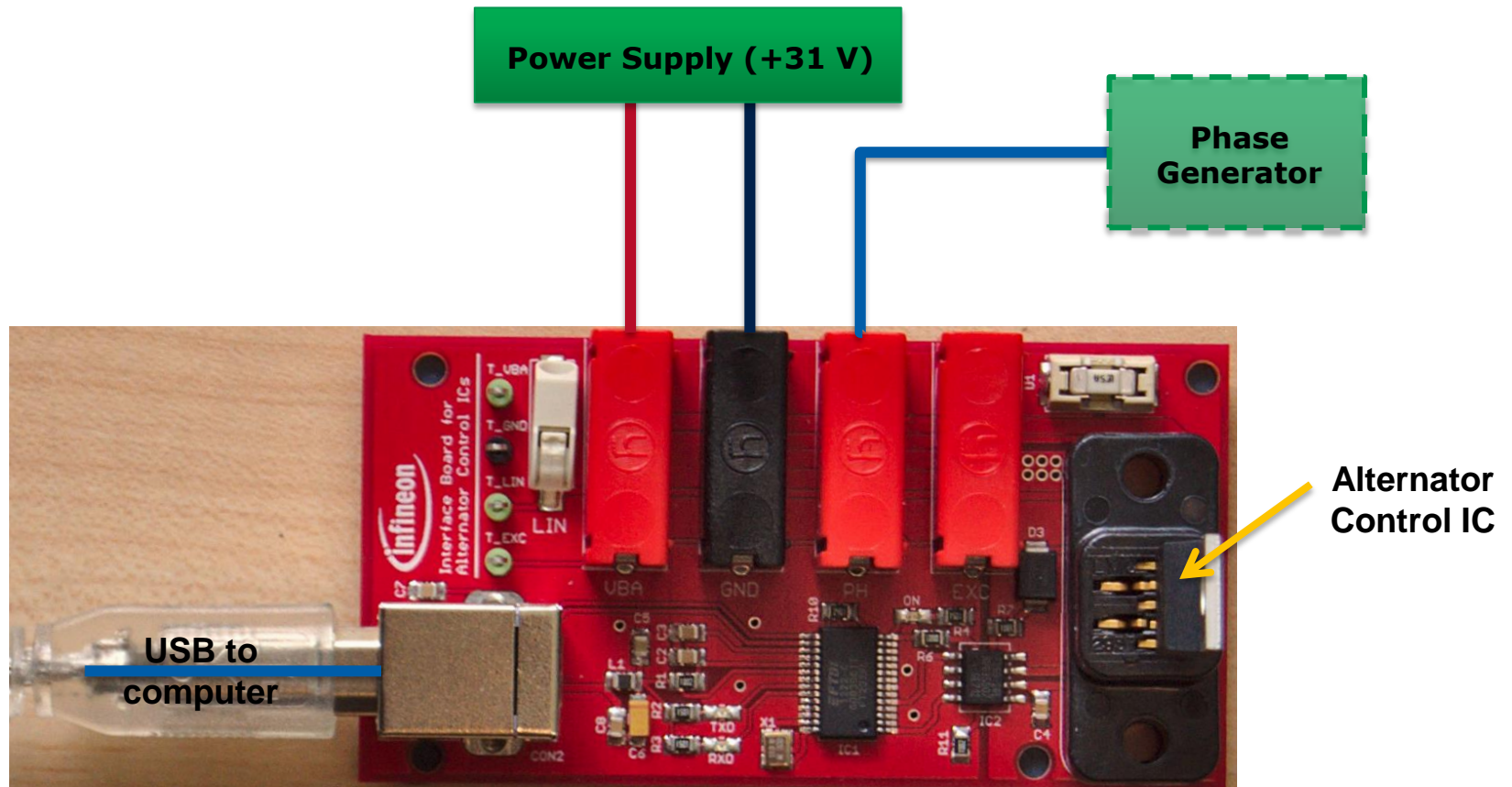
Alternator Control IC
in socket

Tiny form factor

USB connection

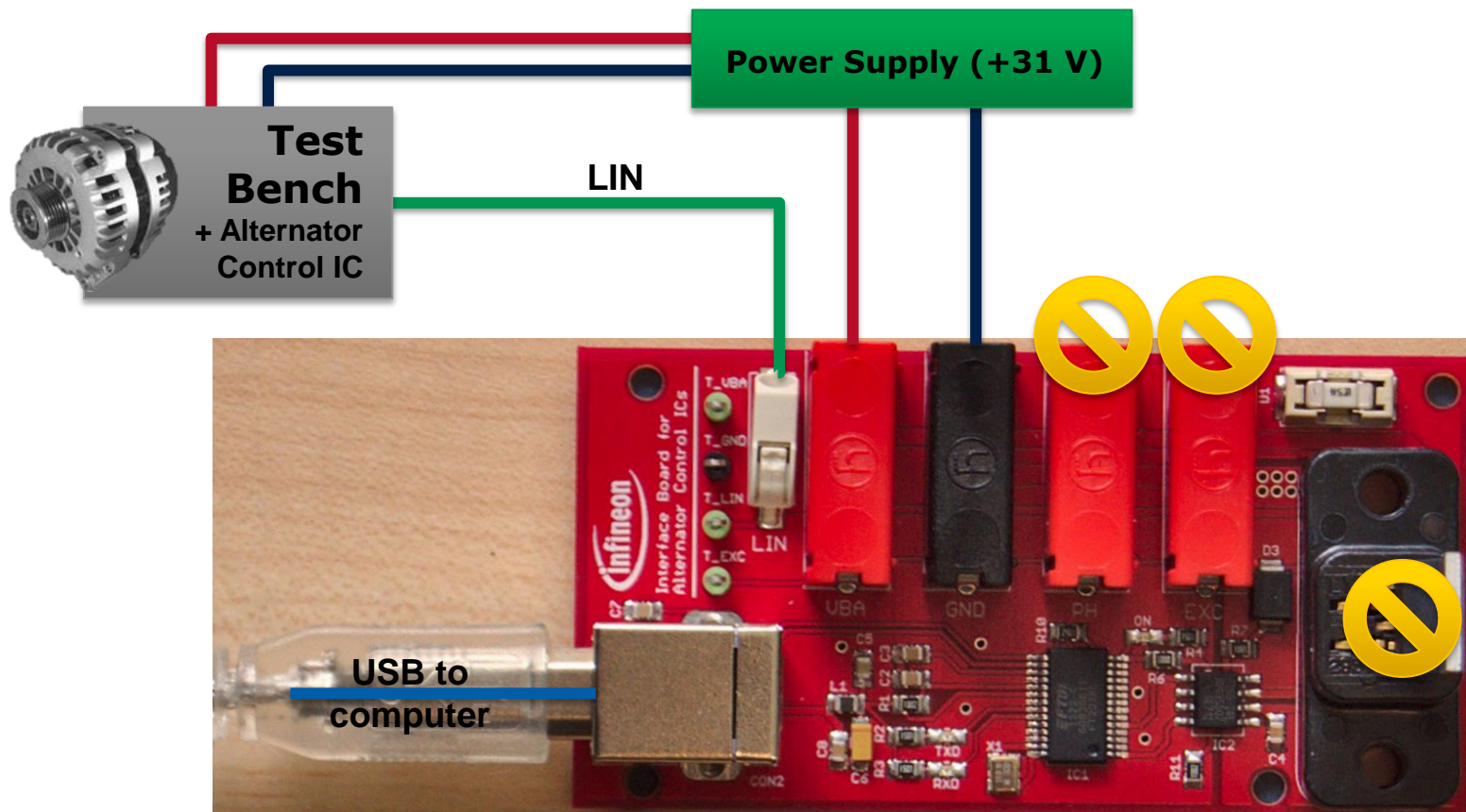
Interface Board With mounted Chip on top

- Set-up for Interface Board and in the socket:



Interface Board Connected to Test Bench

- Possible connections between Interface Board and Test Bench:



Customer Feedback

- Interface Tool has been provided to some customers already

- The gave us the following feedback:
 - Handy tool to easily understand the functionality of Alternator Control ICs
 - Quickly change NVM bits to try out the best solution saves a lot of time
 - Implement the board into their Test Bench set-up neglects own development and saves cost / time



ENERGY EFFICIENCY MOBILITY SECURITY

Innovative semiconductor solutions for energy efficiency, mobility and security.

